

PROFESSIONAL
AIRBRUSHES
& COMPRESSORS

iwata
by ANEST IWATA

PRICE List 2024





5

WAYS TO SPRAY

Five Categories of Airbrush Spray Excellence

iwata

by ANEST IWATA

1 iwata by ANEST IWATA
ABSOLUTE PRECISION™
究極の精度

Custom Micron AIRBRUSH SERIES

2 iwata by ANEST IWATA
TOTAL CONTROL™
トータルコントロール

Hi-Line AIRBRUSH SERIES | High Performance PLUS AIRBRUSH SERIES

3 iwata by ANEST IWATA
ALL-STAR VERSATILITY™
便利で多才

Eclipse AIRBRUSH SERIES

4 iwata by ANEST IWATA
EFFORTLESS COVERAGE™
手順で手軽

Revolution AIRBRUSH SERIES | neo for iwata AIRBRUSH SERIES

5 iwata by ANEST IWATA
FULL FINISH™
本格塗装

iwata G-SERIES | ANEST IWATA

INDEX

AIRBRUSHES

	Page	Spare Parts
PROFESSIONAL AIRBRUSH CUSTOM MICRON2 SERIES CM-B2, CM-C2, CM-C2 Plus, CM-TAKUMI, CM-SB2.....	4	22
PROFESSIONAL AIRBRUSH HiLINE SERIES HP-BH, HP-CH.....	4	23
PROFESSIONAL AIRBRUSH HiLINE SERIES with TRIGGER HP-TH, HP-TH2.....	4	24
PROFESSIONAL AIRBRUSH HIGH PERFORMANCE PLUS SERIES HP-BP, HP-SBP, HP-CP, HP-BCP.....	4	25
APROFESSIONAL AIRBRUSH ECLIPSE SERIES HP-BCS, HP-BS, HP-TAKUMI, HP-CS.....	4	26
PROFESSIONAL AIRBRUSH REVOLUTION SERIES HP-AR, HP-BR, HP-CR, HP-CR3, HP-BCR, HP-SAR.....	5	27
PROFESSIONAL AIRBRUSH REVOLUTION SERIES with TRIGGER HP-TR1, HP-TR2.....	5	28
PROFESSIONAL AIRBRUSH REVOLUTION MINI LINE SERIES HP-M1, HP-M2.....	5	29
PROFESSIONAL AIRBRUSH NEO SERIES HP-BCN, HP-CN.....	5	30
PROFESSIONAL AIRBRUSH NEO SERIES with TRIGGER HP-TRN2, HP-TRN1.....	5	31
PROFESSIONAL SPRAYGUN G SERIES HP-G3, HP-G5.....	6	32

COMPRESSORS & ACCESSORIES

	Page
AIRBRUSHES ACCESSORIES.....	8 - 11
AEROGRAPHY KIT.....	11
COMPRESSORS.....	12 - 13

STENCIL & ACCESSORIES

	Page
STENCIL ARTTOOL.....	14 - 18
BOOKS & VIDEOS.....	19
MASKING FILMS.....	20
MAGNETIC DISPLAY for AIRBRUSHES.....	21
TABLE TOP AIRBRUSHES DISPLAY.....	21



ABSOLUTE PRECISION

PROFESSIONAL AIRBRUSH CUSTOM MICRON2 SERIES

Custom Micron AIRBRUSH SERIES



Code	Description	Head System	*SMP
ICM 2002	CM-B2 AIRBRUSH CUSTOM MICRON2 SERIES	C1	531,00
ICM 2023	CM-B2 AIRBRUSH CUSTOM MICRON2 SERIES	C2	505,60
ICM 4002	CM-C2 AIRBRUSH CUSTOM MICRON2 SERIES	C2	531,00
ICM350T	CM-TAKUMI AIRBRUSH CUSTOM MICRON2 SERIES	C1	592,00
ICM 4502	CM-C2 PLUS AIRBRUSH CUSTOM MICRON2 SERIES	C2	654,00
ICM 4518	CM-C2 PLUS AIRBRUSH CUSTOM MICRON2 SERIES	C1	623,30

Detail Thickness: C1=Extreme Detail- C2= Medium/Fine

TOTAL CONTROL

PROFESSIONAL AIRBRUSH HiLINE SERIES



Code	Description	Head System	*SMP
H 2100	HP-BH AIRBRUSH HI LINE SERIES	H2	370,00
H 4100	HP-CH AIRBRUSH HI LINE SERIES	H3	370,00

Detail Thickness: H2= Fine - H3= Medium

TOTAL CONTROL

PROFESSIONAL AIRBRUSH HiLINE SERIES with TRIGGER



Code	Description	Head System	*SMP
H 5100	HP-TH2 VAULT AIRBRUSH HI LINE SERIES	H6	480,00
H 5200	HP-TH AIRBRUSH HI LINE SERIES	H5	543,00

Detail Thickness: H5= Fine - H6= Medium

TOTAL CONTROL

PROFESSIONAL AIRBRUSH HIGH PERFORMANCE PLUS SERIES



Code	Description	Head System	*SMP
H 2001	HP-BP AIRBRUSH PERFORMANCE PLUS SERIES	H2	291,00
H 3001	HP-SBP AIRBRUSH PERFORMANCE PLUS SERIES	H2	361,00
H 4001	HP-CP AIRBRUSH PERFORMANCE PLUS SERIES	H3	291,00
H 5001	HP-BCP AIRBRUSH PERFORMANCE PLUS SERIES	H3	364,00

Detail Thickness: H2= Fine - H3= Medium

ALL-STAR VERSATILITY

PROFESSIONAL AIRBRUSH ECLIPSE SERIES



Code	Description	Head System	*SMP
ECL 2000	HP-BCS AIRBRUSH ECLIPSE SERIES	E5	192,10
ECL350T	HP-TAKUMI AIRBRUSH ECLIPSE SERIES	E3	192,10
ECL 2500	HP-BS AIRBRUSH ECLIPSE SERIES	E3	203,30
ECL 4500	HP-CS AIRBRUSH ECLIPSE SERIES	E3	203,30

Detail Thickness: E3= Medium/Fine - E5= Medium/Wide



EFFORTLESS COVERAGE

PROFESSIONAL AIRBRUSH REVOLUTION SERIES

Revolution AIRBRUSH SERIES



Code	Description	Head System	*SMP
R 2500	HP-BR AIRBRUSH REVOLUTION SERIES	R3	144,50
R 4500	HP-CR AIRBRUSH REVOLUTION SERIES	R5	144,50
R 4503	HP-CR3 AIRBRUSH REVOLUTION SERIES	R3	163,70
R 2000	HP-BCR AIRBRUSH REVOLUTION SERIES	R5	152,50
R 1000	HP-SAR AIRBRUSH REVOLUTION SERIES	R5	133,80

Detail Thickness: R3= Medium/Fine - R5= Medium/Wide

EFFORTLESS COVERAGE

PROFESSIONAL AIRBRUSH REVOLUTION SERIES with TRIGGER

Revolution AIRBRUSH SERIES



Code	Description	Head System	*SMP
R 5000	HP-TR1 AIRBRUSH REVOLUTION SERIES	N3	307,10
R 5500	HP-TR2 AIRBRUSH REVOLUTION SERIES	N5	307,10

Detail Thickness: N3= Medium/Fine - N5= Medium/Wide

EFFORTLESS COVERAGE

PROFESSIONAL AIRBRUSH REVOLUTION MINI LINE SERIES



Code	Description	Head System	*SMP
R 1050	HP-M1 AIRBRUSH REVOLUTION MINI LINE SERIES	M3	162,60
R 1060	HP-M2 AIRBRUSH REVOLUTION MINI LINE SERIES	M4	162,60

Detail Thickness: M3= Medium/Fine - M4= Medium/Wide

EFFORTLESS COVERAGE

PROFESSIONAL AIRBRUSH NEO SERIES



Code	Description	Head System	*SMP
N 2000	HP-BCN AIRBRUSH NEO SERIES	N5	126,80
N 4500	HP-CN AIRBRUSH NEO SERIES	N3	126,80

Detail Thickness: N3= Medium/Fine - N5= Medium/Wide

EFFORTLESS COVERAGE

PROFESSIONAL AIRBRUSH NEO SERIES with TRIGGER



Code	Description	Head System	*SMP
N 5000	HP-TRN2 AIRBRUSH NEO SERIES	N5	239,70
N 5500	HP-TRN1 AIRBRUSH NEO SERIES	N3	239,70

Detail Thickness: N3= Medium/Fine - N5= Medium/Wide



FULL FINISH

PROFESSIONAL SPRAYGUN G SERIES



iwata
by ANEST IWATA
G-SERIES

Code	Description	Head System	*SMP
ECL 9100	HP-G3 AIRBRUSH G SERIES	G3	524,30
ECL 9200	HP-G5 AIRBRUSH G SERIES	G5	524,30

Detail Thickness: G3= Wide - G5= Extra Wide



5 WAYS TO SPRAY
Five Categories of Airbrush Spray Excellence

iwata

by ANEST IWATA

- 1 ABSOLUTE PRECISION™
- 2 TOTAL CONTROL™
- 3 ALL-STAR VERSATILITY™
- 4 EFFORTLESS COVERAGE™
- 5 FULL FINISH™

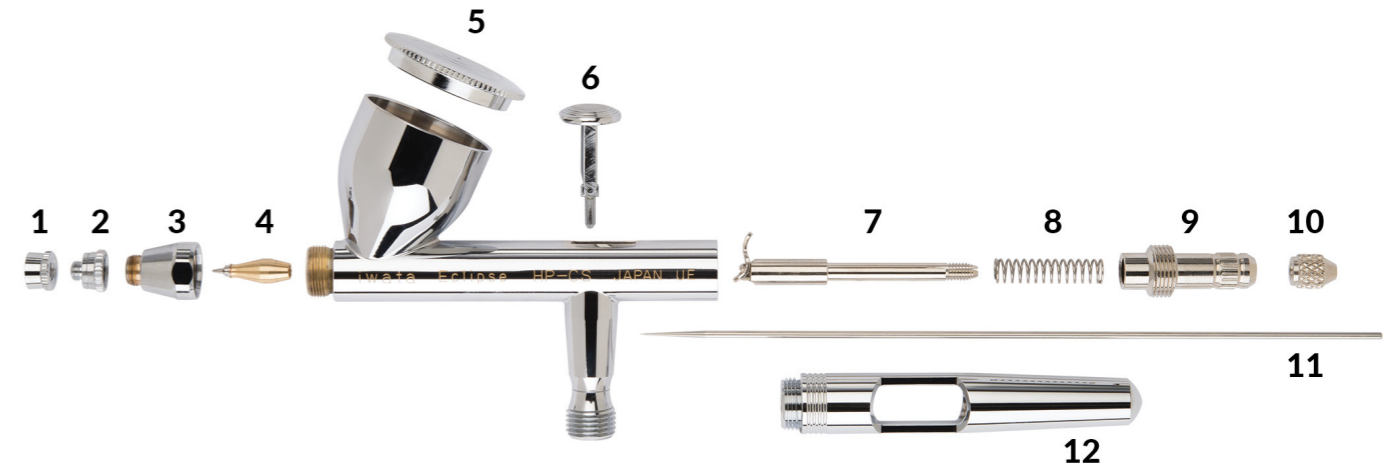
	Extreme Detail	Fine	Medium	Wide	Extra Wide
1	Extreme Detail	Fine	Medium	Wide	Extra Wide
2	Extreme Detail	Fine	Medium	Wide	Extra Wide
3	Extreme Detail	Fine	Medium	Wide	Extra Wide
4	Extreme Detail	Fine	Medium	Wide	Extra Wide
5	Extreme Detail	Fine	Medium	Wide	Extra Wide

©2018 ANEST Iwata-Medeta, Inc. SDECALL-KHZ



COMPONENTS & SPARE PARTS

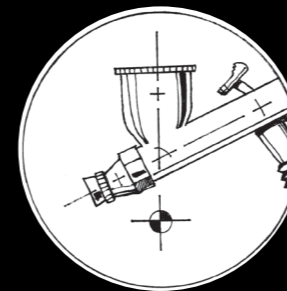
An airbrush is genuine Iwata only when it contains genuine Iwata replacement parts. Below is a summary of the spare parts they are made up of our airbrushes with the details of every single detail to refer to on the pages for the orders of spare parts related to the models you have chosen.



LEGENDA:

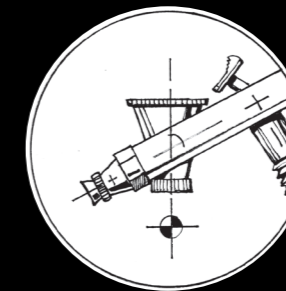
- 1. Needle Cap
- 2. Nozzle Cap
- 3. Head Cap
- 4. Nozzle
- 5. Lid
- 6. Main Lever
- 7. Needle Chucking Guide with Auxiliary Lever
- 8. Needle Spring
- 9. Spring Guide
- 10. Needle Chucking Nut
- 11. Needle
- 12. Handle

TYPES OF FEED



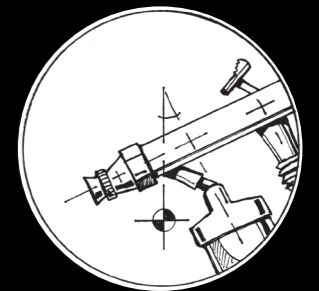
GRAVITY FEED

Our most popular feed style that uses very little paint to operate



SIDE FEED

Allows maximum visibility using various cups or bottles



SIPHON FEED

Use with multiple bottles and larger volumes of spray material

SPARE PARTS LIST From Page 28



NYLON COVERED BRAIDED AIR HOSES

Code	Description	*SMP
BT 010	NYLON COVERED BRAIDED AIR HOSE 3,05 mt (connection 1/4-1/8)	40,10
BT 050	NYLON COVERED BRAIDED AIR HOSE 3,05 mt (connection 1/4-1/4)	40,10
CT I 06	COIL HOSE 1,8 mt (connection 1/4-1/8)	32,10
CT I 10	COIL HOSE 3,05 mt (connection 1/4-1/8)	42,30
DT I 06	STRAIGHT SHOT HOSE 1,8 mt (connection 1/4-1/8)	18,20
DT I 10	STRAIGHT SHOT HOSE 3,05 mt (connection 1/4-1/8)	25,70



CRYSTAL CLEAR PLASTIC BOTTLE SET for water based paints only

Code	Description	*SMP
I 450 1	CRYSTAL CLEAR PLASTIC BOTTLE 1 oz./28 ml (for water base paint only)	10,70
I 450 1P	CRYSTAL CLEAR PLASTIC BOTTLE 1 oz./28 ml (for water base paint only)	10,70
I 450 2	CRYSTAL CLEAR PLASTIC BOTTLE 2 oz/56 ml (for water base paint only)	10,70
I 450 4	CRYSTAL CLEAR PLASTIC BOTTLE 4 oz/112 ml (for water base paint only)	10,70
I 450 4P	CRYSTAL CLEAR PLASTIC BOTTLE 4 oz/112 ml (for water base paint only)	10,70
I 460 2	CRYSTAL CLEAR PLASTIC BOTTLE 2 oz/56 ml (for water base paint only)	10,70
I 460 2P	CRYSTAL CLEAR PLASTIC BOTTLE 2 oz/56 ml (for water base paint only)	10,70



Crystal Clear Plastic Bottles

TRANSLUCENT PLASTIC BOTTLE SET for solvent and water based paints

Code	Description	*SMP
I 470 1	TRANSLUCENT PLASTIC BOTTLE 1 oz/28 ml (for solvent & water based paints)	10,70
I 470 2	TRANSLUCENT PLASTIC BOTTLE 2 oz./56 ml (for solvent & water based paints)	10,70
I 470 4	TRANSLUCENT PLASTIC BOTTLE 4 oz./112 ml (for solvent & water based paints)	10,70
I 480 2	TRANSLUCENT PLASTIC JAR 2 oz/56 ml (for solvent & water based paints)	10,70
I 480 3	TRANSLUCENT PLASTIC JAR 3 oz/84 ml (for solvent & water based paints)	10,70
I 480 3P	TRANSLUCENT PLASTIC JAR 3 oz/84 ml (for solvent & water based paints)	10,70
I 480 4	TRANSLUCENT PLASTIC JAR 4 oz/112 ml (for solvent & water based paints)	10,70
I 480 4P	TRANSLUCENT PLASTIC JAR 4 oz/112 ml (for solvent & water based paints)	10,70



High Strength Translucent Plastic Bottles

BIG MOUTH TRANSLUCENT PLASTIC BOTTLE SET

Code	Description	*SMP
A 470 1	BIG MOUTH TRANSLUCENT PLASTIC BOTTLE 1 oz/30cc - ø 20 mm	9,10
A 470 2	BIG MOUTH TRANSLUCENT PLASTIC BOTTLE 2 oz/60cc - ø 24 mm	4,80
A 480 2	BIG MOUTH TRANSLUCENT PLASTIC BOTTLE 3 oz/80cc - ø 38 mm	9,10
A 480 3	BIG MOUTH TRANSLUCENT PLASTIC BOTTLE 2,5 oz/75cc - ø 38 mm	9,10
A 480 4	BIG MOUTH TRANSLUCENT PLASTIC BOTTLE 4 oz/110cc - ø 38 mm	9,10



BIG MOUTH PLASTIC ADAPTER CAP

Code	Description	*SMP
A 490 20	BIG MOUTH PLASTIC ADAPTER CAP - ø 20 mm	6,40
A 490 24	BIG MOUTH PLASTIC ADAPTER CAP - ø 24 mm	6,40
A 490 38	BIG MOUTH PLASTIC ADAPTER CAP - ø 38 mm	6,40

SIDE FEED PLASTIC BOTTLE SET

Code	Description	*SMP
I 450 1S	SIDE FEED CRYSTAL CLEAR PLASTIC BOTTLE- 1 oz/28 ml (HP-SB/SBS)	13,50
I 450 2S	SIDE FEED CRYSTAL CLEAR PLASTIC BOTTLE - 2 oz/56 ml (HP-SB/SBS)	13,50
I 470 1S	SIDE FEED TRANSLUCENT PLASTIC BOTTLE - 1 oz/28 ml (HP-SB/SBS)	13,50
I 470 2S	SIDE FEED TRANSLUCENT PLASTIC BOTTLE - 2 oz/56 ml (HP-SB/SBS)	13,50



Side feed plastic bottles

GLASS BOTTLE SET

Code	Description	*SMP
I 405 2	GLASS BOTTLE SET 3/4 oz (HP-BC1P, BC2P)	57,80
I 420 2	GLASS BOTTLE SET 42 ml	57,80



Glass Bottles

BOTTLE CAP SET NO RUST & FASTBLAST

Code	Description	*SMP
I 490 20	BOTTLE CAP SET NO RUST ø 20 mm	7,90
I 490 24	BOTTLE CAP SET NO RUST ø 24 mm	7,90
I 490 24P	BOTTLE CAP SET FASTBLAST ø 24 mm	7,90
I 490 38	BOTTLE CAP SET NO RUST ø 38 mm	7,90
I 490 38P	BOTTLE CAP SET FASTBLAST ø 38 mm	7,90



SIDE FEED CAP SET

Code	Description	*SMP
I 490 20S	SIDE FEED CAP SET ø 20 mm	10,70
I 490 24S	SIDE FEED CAP SET ø 24 mm	10,70

2 or 3-WAY ASSEMBLING VALVE

Code	Description	*SMP
012 004	2-WAY ASSEMBLING VALVE	138,00
012 005	3-WAY ASSEMBLING VALVE	221,00
020 100	AIRBLAST REGULATOR ADAPTOR	14,40



Assembling valves

AIR HOSES QUICK DISCONNECT SETS

Code	Description	*SMP
I 624 1	ADAPTOR (1/4 F 1/8 M)	20,90
I 624 2	ADAPTOR (1/4 M 1/8 F)	27,30
I 160 3	QUICK FIT SET (QD & ADAPTOR)	25,70
I 160 4	QUICK FIT ADAPTOR	11,80
I 010 5	AIR HOSE JOINT SET (BRASS)	9,10



AIR FILTERS AND PRESSURE REGULATORS

Code	Description	*SMP
FA 450	PISTOL GRIP MOISTURE FILTER	46,50
FA 500DH	MOISTURE FILTER FA 500	72,20
FA 600DH	MOISTURE FILTER W/REGULATOR & GAUGE	137,50
FA 700DH	PRESSURE REGULATOR & GAUGE	84,50





CLEANERS, LUBRICANT AND CLEANING ACCESSORIES

Code	Description	*SMP
CL 100	IWATA AIRBRUSH CLEANING KIT	54,00
CL 150	AIRBRUSH CLEANING KIT REFILL PACK	16,10
CL MG 1	IWATA LED MAGNIFIER	16,10
CL NW 1	IWATA NOZZLE WRENCH	16,10
015 001	LUBRICANT (SUPER LUBE) 1/2 oz/14 ml	15,50
CL 200	IWATA AIRBRUSH CLEANING MAT	44,90
6 600 80	ARTOOL STUDIO WIPES, 80CT TUB	18,20
6 600 12	ARTOOL STUDIO WIPES, 12CT POUCH	5,40
6 600 POP	ARTOOL STUDIO WIPES, POUCH POP	109,10
6 360 16	MEDEA AIRBRUSH CLEANER SPRAYER 360 ° 16 oz	19,80
6 500 04	AIRBRUSH CLEANER - bottle 4 oz/112 ml	6,40
6 500 08	AIRBRUSH CLEANER - bottle 8 oz/224 ml	8,00
6 500 16	AIRBRUSH CLEANER - bottle 16 oz/448 ml	10,20
6 500 32	AIRBRUSH CLEANER - bottle 32 oz/896 ml	14,40



Cleaning Kit



Cleaners

AIRBRUSH HOLDERS & CLEANING POT

Code	Description	*SMP
CL 300	CLEANING STATION FOR AIRBRUSHES	31,00
CL 310	CLEANING STATION FILTER	5,40
NAC 211	CLEANING STATION FILTER	7,50



MEDEA USB RECHARGEABLE ELECTRIC ERASER

Code	Description	*SMP
MUE100	MEDEA USB RECHARGEABLE ELECTRIC ERASER	24,60
MUER70	MEDEA USB ERASER REFILL PACK	9,10

AIRBRUSH MAINTENANCE TOOLS WITH ZIPPERED CASE

Code	Description	*SMP
CL 500	AIRBRUSH MAINTENANCE TOOLS WITH ZIPPERED CASE	101,70
CL SJP INSERT	REPLACEMENT JAW INSERT	11,20



TRIPLE - ACTION HANDLE SET

Code	Description	*SMP
K 155	TRIPLE-ACTION HANDLE SET W/ 5 COLORED HANDLES	59,40

Triple-Action Handle

EXTERNAL MAC VALVE & ERGONOMIC HANDLE

Code	Description	*SMP
K 250	EXTERNAL MAC VALVE FOR AIR FLOW CONTROL	44,90
K 200	ERGONOMIC HANDLE GRIP HP-TH/HP-TR	38,50



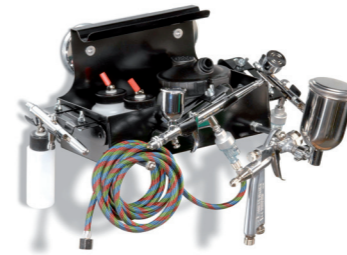
External MAC valve

Ergonomic handle

AIRBRUSH MAGNETIC WORKSTATION & HOLDER

Code	Description	*SMP
KJ 100	AIR-PORT HANGER MAGNETIC / BOLT-ON	37,50
AH 400	UNIVERSAL AIRBRUSHES HOLDER	32,10

AIR-PORT
AIRBRUSH WORKSTATION BY KARAJEN CORP.



AIR-PORT
HANGER



Universal Airbrushes Holder

AEROGRAPHY Kits



AIRBRUSH KIT

Code	Description	*SMP
DLXIS850CR	DELUXE AIRBRUSH KIT IS 850 + HP-CR + ACCESSORIES	641,50
DLXIS850CP	DELUXE AIRBRUSH KIT IS 850 + HP-CP + ACCESSORIES	641,50
130609A0	REVOLUTION AIRBRUSH KIT IS 50 DE + HP-CR + ACCESSORIES	-
IW 120	AIRBRUSH KIT NEO SERIES	238,10
VT 070	ROBERT PASCHAL - BASIC AIRBRUSH TECHNIQUES BOOK	34,20
VT 075	BASIC AIRBRUSH TECHNIQUES EXERCISE KIT	29,40

Basic Airbrush Techniques Exercise Kit (VT 075)





LOW PRESSURE OUTPUT AIRBRUSH COMPRESSORS

IWATA NEO AIR AIRBRUSH COMPRESSOR

Code	Description	*SMP
IS 30 UP	IWATA NEO AIR AIRBRUSH COMPRESSOR	-

Motor: 100-240 Volt - Max. Working pressure: 1.0 bar - Air Consumption: 10.5 l/min - Plug DE



IWATA NINJA JET AIRBRUSH COMPRESSOR

Code	Description	*SMP
IS 35 DE	IWATA NINJA JET AIRBRUSH COMPRESSOR	282,50

Motor: 140-110 Watt - Max. Working pressure: 1.3 bar - Air Consumption: 9 l/min - Plug DE



IWATA SILVER JET AIRBRUSH COMPRESSOR

Code	Description	*SMP
IS 50 DE	IWATA SILVER JET AIRBRUSH COMPRESSOR	301,00

Motor: 140-110 Watt - Max. Working pressure: 1.3 bar - Air Consumption: 9 l/min - Plug DE



MEDIUM PRESSURE OUTPUT AIRBRUSH COMPRESSORS

IWATA SMART JET AIRBRUSH COMPRESSOR

Code	Description	*SMP
IS 850 DE	IWATA SMART JET AIRBRUSH COMPRESSOR	417,00

Motor: 91 Watt - Max. Working pressure: 2.4 bar - Air Consumption: 18 l/min - Plug DE



IWATA SMART JET PRO AIRBRUSH COMPRESSOR

Code	Description	*SMP
IS 875 DE	IWATA SMART JET PRO AIRBRUSH COMPRESSOR	524,00

Motor: 91 Watt - Max. Working pressure: 2.4 bar - Air Consumption: 18 l/min - Plug DE



LOW & HIGH PRESSURE OUTPUT AIRBRUSH COMPRESSORS

IWATA SMART JET PLUS TUBULAR AIRBRUSH COMPRESSOR

Code	Description	*SMP
IS 875HT DE	IWATA SMART JET PLUS TUBULAR AIRBRUSH COMPRESSOR	540,50

Motor: 150 Watt - Max. Working pressure: 4.2 bar - Air Consumption: 23 l/min - Plug DE



IWATA POWER JET LITE AIRBRUSH COMPRESSOR

Code	Description	*SMP
IS 925 DE	IWATA POWER JET LITE AIRBRUSH COMPRESSOR	569,80

Motor: 125 Watt - Max. Working pressure: 4.2 bar - Air Consumption: 34 l/min - Plug DE



IWATA POWER JET PLUS TUBULAR AIRBRUSH COMPRESSOR

Code	Description	*SMP
IS 925HT DE	IWATA POWER JET PLUS AIRBRUSH COMPRESSOR	687,30

Motor: 220 Watt - Max. Working pressure: 4.2 bar - Air Consumption: 39 l/min - Plug DE



IWATA POWER JET PRO AIRBRUSH COMPRESSOR

Code	Description	*SMP
IS 975 DE	IWATA POWER JET PRO AIRBRUSH COMPRESSOR	721,60

Motor: 125 Watt - Max. Working pressure: 5.5 bar - Air Consumption: 34 l/min - Plug DE



IWATA MAXXJET POWER SPEED AIRBRUSH COMPRESSOR (Mini-workstation)

Code	Description	*SMP
IS 1000 DE	IWATA MAXXJET AIRBRUSH COMPRESSOR	1 399,50

Motor: 125 Watt - Max. Working pressure: 5.5 bar - Air Consumption: 40 l/min - Plug DE



COMPRESSORS ACCESSORIES

Code	Description	*SMP
IS 010	FILTER BOWL POWER JET	25,70
IS 011	FILTER REPL. POWER JET	17,10
IS 012	AIR INTAKE FILTER 10PCS	10,20
IS 015	REGULATOR KNOB POWER JET	17,10
IS 020	TANK DRAIN VALVE POWER JET	17,10
IS 110	FILTER ELEMENT IS 850	25,70
IS 111	FILTER REPL. SMART JET	25,70
IS 120	REGULATOR BRACKET SMART JET	32,10
IS 130	COIL HOSE SMART JET	41,20
IS 135	SPRINT/SMART JET FLTR/GAUGE	72,20
NAC 101	MOISTURE FILTER DISPOSABLE	23,00
012 009	IS 975 QD ADAPTOR (MALE PLUG)	13,40

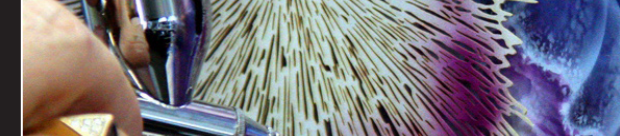


Code	Description	*SMP
FREEHAND AIRBRUSH TEMPLATE THE ESSENTIAL SEVEN™ Solvent Proof		
FH 1 SP	FREEHAND AIRBRUSH TEMPLATE - Eddie Young Template	20,30
FH 2 SP	FREEHAND AIRBRUSH TEMPLATE - Eddie Young Template	20,30
FH 3 SP	FREEHAND AIRBRUSH TEMPLATE - 360 Degree Shield	20,30
FH 4 SP	FREEHAND AIRBRUSH TEMPLATE - 45 Degree Shield	20,30
FH 5 SP	FREEHAND AIRBRUSH TEMPLATE - Andrea Mistretta Mini	20,30
FH 6 SP	FREEHAND AIRBRUSH TEMPLATE - Andrea Mistretta Super	20,30
FH 7 SP	FREEHAND AIRBRUSH TEMPLATE - The Big Shields	20,30
FH P SP	FREEHAND AIRBRUSH TEMPLATE ESSENTIAL - 7 Pouch	120,90
THE BIG SHIELD™ SPECIAL EDITION by Gabe Mc Cubbin		
FH 7 BLM	THE BIG SHIELD™ SPECIAL EDITION SET 20th Anniversary by Gabe McCubbin	53,00
FREEHAND AIRBRUSH TEMPLATE THE WAVE MAKER™		
FH 8	FREEHAND AIRBRUSH TEMPLATE THE WAVE MAKER	20,30
FREEHAND AIRBRUSH TEMPLATE THE ANGLE MASTER™		
FH 9 SP	FREEHAND AIRBRUSH TEMPLATE THE ANGLE MASTER	20,30
FREEHAND AIRBRUSH TEMPLATE PIN-UP SHIELD™ by Edward Reed		
FH 10	FREEHAND AIRBRUSH TEMPLATE PIN UP SHIELD	20,30
FREEHAND AIRBRUSH TEMPLATE MATCH MAKERS™		
FH 11 SP	FREEHAND AIRBRUSH TEMPLATE - MATCH MAKERS	27,30
TEMPLATE INTRO SERIESS™ by Robert Paschal		
FH IS1	INTRO SERIESS SET BY ROBERT PASCHAL	20,30
TEMPLATE PATRIOTICA™ by Craig Fraser		
PTR 1 SP	RED TEMPLATE	32,10
PTR 2 SP	WHITE TEMPLATE	32,10
PTR 3 SP	BLUE TEMPLATE	32,10
PTR 4 SP	EAGLE TEMPLATE	32,10
PTR 5 SP	ALL FOURL TEMPLATE	126,30
TEMPLATE BONEHEADZ™ by Mike Lavallee		
FH BH 1	BONEHEADZ (CRANIUM) Template Set	142,30
FH BH 2	BONEHEADZ (SCREAMERS) Template Set	142,30
FH BH 3	BONEHEADZ (EIGHT8DEAD) Template Set	142,30
TEMPLATE BUBBLE FX™ by Dennis Mathewson		
FH BFX 1	BUBBLE FX TM SET + DVD BY DENNIS MATHEWSON	130,00
FREEHAND AIRBRUSH TEMPLATE FLAME MASTER™		
FH FM 1	FLAME MASTER MEDIUM	31,00
FH FM 2	FLAME MASTER MULTIPLE	31,00
FH FM 3	FLAME MASTER COMPLETE SET	54,00
TEMPLATE FLAME-o-RAMA® by Craig Fraser		
FOR 1SP	TEMPLATE FLAME-DANGO	32,10
FOR 2SP	TEMPLATE OL' SCHOOL	32,10
FOR 3SP	TEMPLATE SLASH	32,10
FOR 4SP	TEMPLATE FUNKADELIK	32,10
FOR 5SP	TEMPLATE COMPLETE SET OF ALL FOUR	126,30
TEMPLATE HOT HEADZ by Mike Lavallee		
FH HH 1	SMOKIN' JOES	142,30
FH HH 2	HELL RIDERS	142,30



Code	Description	*SMP
TEMPLATE KUSTOM FX™		
KFX 1SP	TEMPLATE TIKI MADNESS	32,10
KFX 2SP	TEMPLATE BULLET - RIDDEN	32,10
KFX 3SP	TEMPLATE CHEETAH PIMP	32,10
KFX 4SP	TEMPLATE DIAMOND PLATE	32,10
KFX 5SP	TEMPLATE CLOUD-9	32,10
KFX 6SP	TEMPLATE BRAINIAC	32,10
KFX 7SP	TEMPLATE COMPLETE SET OF ALL SIX	181,40
TEMPLATE KUSTOM FX 2™ by Craig Fraser		
FXII 8SP	ARTOOL TEMPLATE "PUZZLED"	32,10
FXII 9SP	ARTOOL TEMPLATE "NUT N" BOLTZ"	32,10
FXII 10SP	ARTOOL TEMPLATE "GEAR HEAD"	32,10
FXII 11SP	ARTOOL TEMPLATE "DOLLA" BILL"	32,10
FXII 12SP	ARTOOL TEMPLATE "DRAGON SKIN"	32,10
FXII 13SP	ARTOOL TEMPLATE "THE BLOB"	32,10
PGFX1	ARTOOL POCKET GRAFX AIRBRUSH TEMPLATE	27,30
FXII 14SP	ARTOOL TEMPLATE "ALL SIX"	181,40
TEMPLATE KUSTOM FX 3™ by Craig Fraser		
FX3 15SP	TEMPLATE GLYPHS	32,10
FX3 16SP	TEMPLATE UNCHAINED	32,10
FX3 17SP	TEMPLATE THE WEB	32,10
FX3 18SP	TEMPLATE BLADES	32,10
FX3 19SP	TEMPLATE MUSIKA	32,10
FX3 20SP	TEMPLATE BARBY	32,10
FX3 21SP	TEMPLATE SET FX3	181,40
TEMPLATE KUSTOM FX 4™ by Craig Fraser		
FH FX4 22	TEMPLATE FX4 WRENCHED BY CRAIG FRASER	32,10
FH FX4 23	TEMPLATE FX4 FRONDS BY CRAIG FRASER	32,10
FH FX4 24	TEMPLATE FX4 SRAEG BY CRAIG FRASER	32,10
FH FX4 25	TEMPLATE FX4 CLASSIC CAMO BY CRAIG FRASER	32,10
FH FX4 26	TEMPLATE FX4 DIGITAL CAMO BY CRAIG FRASER	32,10
FH FX4 27	TEMPLATE FX4 GATOR BY CRAIG FRASER	40,10
FH FX4 28	TEMPLATE FX4 COMPLETE SET BY CRAIG FRASER	188,30
TEMPLATE KUSTOM KULTURE FX™ by Craig Fraser		
KKFX 15 SP	TEMPLATE "FLY BALLZ"	32,10
KKFX 16 SP	TEMPLATE "PISTONS & PLUGS"	32,10
KKFX 18 SP	TEMPLATE "ACES N" EIGHTS"	32,10
KKFX 19 SP	TEMPLATE "SACRED HEART"	32,10
KKFX 20 SP	TEMPLATE "MARTINI TIME"	32,10
KKFX 21 SP	TEMPLATE "KUSTOM CULTURE SET"	181,40
TEMPLATE KANJI MASTER® by Dennis Mathewson		
FH KM 1	KANJI MASTER SERIESS - DRAGON	32,10
FH KM 2	KANJI MASTER SERIESS - KOI	32,10
FH KM 3	KANJI MASTER SERIESS - TSUNAMI	32,10
FH KM 4	KANJI MASTER SERIESS - BAMBOO	32,10
FH KM 5	KANJI MASTER SERIESS - KANJI MASK	32,10
FH KM 6	KANJI MASTER SERIESS - KANJI SYMBOLS	32,10
FREEHAND AIRBRUSH TEMPLATE WIRED LONG LINES by Dean Loucks		
FH LL 1	FREEHAND AIRBRUSH TEMPLATE - WIRED LONG LINES BY DEAN LOUCKS	133,80





Code	Description	*SMP
TEMPLATE METROPOLIS™		
FH MET 1	METROPOLIS SET	104,90
TEMPLATE PIRACY™ by Craig Fraser		
FH PRY 1	TEMPLATE PIRACY TELL NO TELLS BY CRAIG FRASER	32,10
FH PRY 2	TEMPLATE PIRACY JOLLY ROGER BY CRAIG FRASER	32,10
FH PRY 3	TEMPLATE PIRACY O CURSED BY CRAIG FRASER	53,00
FH PRY 4	TEMPLATE PIRACY TORTUGA BY CRAIG FRASER	36,40
FH PRY 5	TEMPLATE PIRACY FLYING DUTCHMAN BY CRAIG FRASER	41,20
FH PRY 6	TEMPLATE PIRACY PIECES OF EIGHT BY CRAIG FRASER	48,20
FH PRY 7	TEMPLATE PIRACY ALL SIX BY CRAIG FRASER	223,60
TEMPLATE SAILOR GIRLIES™ by Deborah Mahan		
FH SG 1	SAILOR GIRLIES SET OF FOUR	81,30
TEMPLATE SPLATTER FX™ by Gerald Mendez		
FH SFX 1	SPLATTER FX SET BY GERARD MENDEZ	65,80
TEMPLATE SKULLMASTER® by Craig Fraser - Solvent Proof		
FH SK1 SP	TEMPLATE SKULL MASTER MULTIPLE SOLVENT PROOF	32,10
FH SK2 SP	TEMPLATE SKULL MASTER FRONTAL SOLVENT PROOF	32,10
FH SK3 SP	TEMPLATE SKULL MASTER SCREAMING SOLVENT PROOF	32,10
FH SK4 SP	TEMPLATE SKULL MASTER SET ALL THREE SOLVENT PROOF	94,20
TEMPLATE SON OF SKULLMASTER® by Craig Fraser - Solvent Proof		
FH SK5 SP	TEMPLATE SON / SKULL NITE & DAY SOLVENT PROOF	32,10
FH SK6 SP	TEMPLATE SON / SKULL DEVIL ON ANGEL SOLVENT PROOF	32,10
FH SK7 SP	TEMPLATE SON / SKULL BONZ SOLVENT PROOF	32,10
FH SK8 SP	TEMPLATE SON / SKULL MENAGERIE SOLVENT PROOF	32,10
FH SK9 SP	TEMPLATE SON / SKULL SET ALL FOUR SOLVENT PROOF	126,30
TEMPLATE THE CURSE OF SKULLMASTER® by Craig Fraser		
FH SK10 SP	PETTING ZOO	32,10
FH SK11 SP	EVIL HORDE	32,10
FH SK12 SP	BUCKANEER	32,10
FH SK13 SP	VOODOO	32,10
FH SK14 SP	BONZ II	36,40
FH SK15 SP	ALL FIVE	154,60
TEMPLATE THE RETURN OF SKULLMASTER by Craig Fraser®		
FH SK16 SP	FRONTAL II	32,10
FH SK17 SP	MULTIPLE II	32,10
FH SK18 SP	SCREAMIN II	32,10
FH SK19 SP	LUCKY 13	32,10
FH SK20 SP	ALL FOUR	126,30
TEMPLATE HORROR OF SKULLMASTER® by Craig Fraser		
FH SK21 SP	TEMPLATE HEADS UP	53,00
FH SK22 SP	TEMPLATE THE SCREAM	53,00
FH SK23 SP	TEMPLATE PROFILE	53,00
FH SK24 SP	TEMPLATE COMPLETE SET OF ALL	148,20
TEMPLATE WRATH OF SKULLMASTER® by Craig Fraser		
FH SK26 SP	CRAIG FRASER - WRATH OF SKULLMASTER - MR. POTATO BONZE	42,80
FH SK27 SP	CRAIG FRASER - WRATH OF SKULLMASTER - MR. POTATO BONZE STUPH #1	42,80
FH SK28 SP	CRAIG FRASER - WRATH OF SKULLMASTER - MR. POTATO BONZE STUPH #2	42,80
FH SK29 SP	CRAIG FRASER - WRATH OF SKULLMASTER - BURIAL GROUND	42,80
FH SK30 SP	CRAIG FRASER - WRATH OF SKULLMASTER - KALAVERAS	42,80
FH SK31 SP	CRAIG FRASER - WRATH OF SKULLMASTER - BONZE III	42,80
FH SK32 SP	CRAIG FRASER - WRATH OF SKULLMASTER - COMPLETE SET OF SIX	245,60



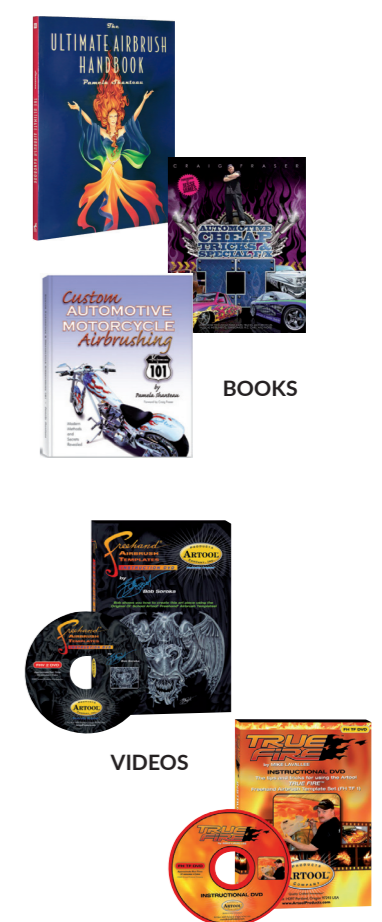
Code	Description	*SMP
LIMITED EDITION SKULL DUGGERY TEMPLATE by Craig Fraser		
FH SK25 SP	CRAIG FRASER'S LIMITED EDITION SKULL DUGGERY TEMPLATE	725,50
FREEHAND AIRBRUSH TEMPLATE - EVIL 3 BY CRAIG FRASER		
FH SKLTD	FREEHAND AIRBRUSH TEMPLATE - EVIL 3 BY CRAIG FRASER	81,30
FREEHAND AIRBRUSH TEMPLATE MASTERS SERIES BY RADO VERO		
FH RV SP	FREEHAND AIRBRUSH TEMPLATE MASTERS SERIES BY RADO VERO	33,70
SPIDER MASTER™ by Craig Fraser		
FH SM 1	SPIDER MASTER - SPIDER BY CRAIG FRASER	36,40
FH SM 2	SPIDER MASTER - ARACHNOPHOBIA BY CRAIG FRASER	32,10
FH SM 3	SPIDER MASTER - WIDOW-MAKER BY CRAIG FRASER	32,10
FH SM 4	SPIDER MASTER SET BY CRAIG FRASER	97,90
STEAMPUNK FX® by Craig Fraser		
FH SPFX 1	STEAMPUNK FX JUNK	42,80
FH SPFX 2	STEAMPUNK FX MECHANIX	40,10
FH SPFX 3	STEAMPUNK FX GAUGES	40,10
FH SPFX 4	STEAMPUNK FX SWITCHES	40,10
FH SPFX 5	STEAMPUNK FX CLOCKWORK	40,10
FH SPFX 6	STEAMPUNK FX GEAR DRIVES	42,80
FH SPFX 7	STEAMPUNK FX SET	219,90
STEAMPUNK FX2® by Craig Fraser		
FH SPFX 21	STEAMPUNK FX2 "KLOCKWERKS II" BY CRAIG FRASER	33,20
FH SPFX 22	STEAMPUNK FX2 "JERRY-RIG" BY CRAIG FRASER	33,20
FH SPFX 23	STEAMPUNK FX2 "THE LAB" BY CRAIG FRASER	33,20
FH SPFX 24	STEAMPUNK FX2 "GRILLS" BY CRAIG FRASER	33,20
FH SPFX 25	STEAMPUNK FX2 SET BY CRAIG FRASER	128,40
VIMFHSPFX21	STEAMPUNK FX2 "KLOCKWERKS II" BY CRAIG FRASER	41,70
STEAM DRIVEN™ by Craig Fraser		
FH SDSK 1	STEAM DRIVEN "STEAM SKULL" BY CRAIG FRASER	42,80
FH SDSK 2	STEAM DRIVEN "TICK TOCK" BY CRAIG FRASER	42,80
FH SDSK 3	STEAM DRIVEN "SPRUNG" BY CRAIG FRASER	42,80
FH SDSK 4	STEAM DRIVEN SET BY CRAIG FRASER	122,00
BLASTED FX™ by Ryno		
FH BLTFX 1	CIRCLE FX	27,30
FH BLTFX 2	OVAL FX	32,10
FH BLTFX 3	GAMBLIN FX	27,30
FH BLTFX 4	LUCKY FX	32,10
FH BLTFX 5	SACRED FX	32,10
FH BLTFX 6	MARINE FX	32,10
FH BLTFX 7	BLASTED COMPLETE SET	174,90
H STENCIL™ by Craig Fraser		
FH HS1	H STENCIL BY CRAIG FRASER	46,50
AZTEC FX TEMPLATE SET by Gerald Mendez		
FH AZTFX 1	AZTEC FX BY GERALD MENDEZ	61,00
PACK 'O'SKULLZ™ by Scott MacKay		
FH PKOS 1	PACK OF SKULLZ 1	55,10
FH PKOS 2	PACK OF SKULLZ 2	55,10
TRUE FIRE - 9 STENCIL SET W/DVD by Mike Lavalley		
FH TF 1	MIKE LAVALLE'S TRUE FIRE - 9 STENCIL SET W/DVD	213,50
TRUE FIRE 2 WITH 2ND DEGREE BURN by Mike Lavalley		
FH TF 2	TRUE FIRE 2 WITH 2ND DEGREE BURN BY MIKE LAVALLEE	168,50



Code	Description	*SMP
TEXTURE FX SET		
FH TFX 1	TEXTURE FX SET (ORGANIC, COSMIC, MASTER)	53,00
TEXTURE FX 2 by Gerald Mendez		
FH TFX 2	TEXTURE FX 2	53,00
CARBON FIBER™ FX by Chris Cruz		
FH CFFX 1	CARBON FIBER FX TEMPLATE SET BY CHRIS CRUZ	40,10
WOOD GRAIN FX TEMPLATE by Dennis Mathewson		
FH WGF 1	WOOD GRAIN FX TEMPLATE BY DENNIS MATHEWSON	130,00
TIKI MASTER by Dennis Mathewson		
FH TM 1	TRIBAL TIKI TEMPLATE	32,10
FH TM 2	KONA TIKI TEMPLATE	32,10
FH TM 3	TIKI TROUBLE TEMPLATE	32,10
FH TM 4	TIKI BAR TEMPLATE	32,10
FH TM 5	TOTEM TIKI TEMPLATE	32,10
FH TM 6	ALOHA SPIRIT TEMPLATE	32,10
FH TM 7	TIKI MASTER SET TEMPLATE	181,40
TIKI MASTER II by Dennis Mathewson		
FH TM 8	TROPICAL TRIBALS TEMPLATE	32,10
FH TM 9	HULA SPIRIT TEMPLATE	32,10
FH TM 10	TWO FACE TIKI TEMPLATE	32,10
FH TM 11	TIKI JOE TEMPLATE	32,10
FH TM 12	FREAKIN" TIKIS TEMPLATE	32,10
FH TM 13	LEILANI TEMPLATE	32,10
FH TM 14	TIKI MASTER II COMPLETE SET	181,40
TRIBAL MASTER® SET by Steve Vandemon		
FH TRM 1	NEW TRIBAL MASTER SET	186,20
TRIBAL MASTER® II CORNERED by Steve Vandemon		
FH TRM 2	TRIBAL MASTERS II CORNERED BY STEVE VANDEMON	186,20
BIOMECH FX by Mike Lavallee		
FH BMFX 1	BIOMECH FX SKULL BUSTER BY MIKE LAVALLE	168,50
FH BMFX 2	BIOMECH FX SPINAL TRAP BY MIKE LAVALLE	168,50
VIKING FX by Craig Fraser		
FH VKFX 1	VIKING FX RUNES BY CRAIG FRASER	32,10
FH VKFX 2	VIKING FX VAHALLA BY CRAIG FRASER	32,10
FH VKFX 3	VIKING FX BERZERKER BY CRAIG FRASER	32,10
FH VKFX 4	VIKING FX DRAUGAR BY CRAIG FRASER	32,10
FH VKFX 5	VIKING FX SET BY CRAIG FRASER	126,30
ZAZZO MAKE UP MASTERS BEAUTY ENSEMBLE by Bradley M. Look		
MFX 1	ZAZZO BEAUTY ENSAMBLE	70,60
ZAZZO MAKE UP MASTERS CHARACTER TROUPE by Bradley M. Look		
MFX 2	CHARACTER TROUPE	70,60
NANO SERIES		
FH NS 3	NANO SERIES TRUE FIRE SET BY MIKE LAVALLEE	27,30
FH NS 1	CRAIG FRASER - SKULLOPHENIA NANOS TEMPLATE	27,30
FH NS 2	CRAIG FRASER - DRACO NANOS TEMPLATE	27,30
FH NS 4	ISLAND FX NANO SERIES BY DENNIS MATHEWSON	27,30
FH NS 5	KANJI MOTTO NANO SERIES BY DENNIS MATHEWSON	27,30
FH NS 6	TIKIVILLE NANO SERIES BY DENNIS MATHEWSON	27,30



Code	Description	*SMP
MINI SERIES		
FH FOR 5 MS	FLAME O RAMA MINI SET	40,10
FH FX3 21 MS	FX3 MINI SERIES BY CRAIG FRASER	60,50
FH FX4 28 MS	TEMPLATE FX4 MINISERIES SET BY CRAIG FRASER	60,50
FH KFX7 MS	KUSTOM FX MINI SET	56,70
FH KKFX21 MS	KUSTOM KULTURE MINI SET	56,70
FH KM 7MS	KANJI MASTER MINI SET	54,00
FH PRY 7 MS	TEMPLATE PIRACY ALL SIX MINI SERIES BY CRAIG FRASER	104,90
FH PUG MS	PIN UP GIRLIES MINI SET	48,20
FH PUG II MS	PIN UP GIRLIES 2 MINI SET	48,20
FH SG MS	SAILOR GIRLIES MINI SET	48,20
FH SK15 MS	CURSE OF SKULL MINI SET	50,30
FH SK20 MS	RETURN OF SKULL MINI SET	53,00
FH SK24 MS	HORROR OF SKULL MINI SET	54,00
FH SK32 MS	CRAIG FRASER - WRATH OF SKULLMASTER - MINI SERIES	65,80
FH SK4 MS	SKULL MASTER MINI SET	34,80
FH SK9 MS	SON OF SKULL MINI SET	41,20
FH TF1 MS	TEMPLATE TRUE FIRE MINI SERIES	67,40
FH SPFX 7 MS	MINI SERIES OF STEAMPUNK	72,20
FH TFX 1 MS	TEXTURE FX SET MINI SERIES	27,30
FH TFX 2 MS	TEXTURE FX 2 MINI SERIES	27,30
FH TM 14 MS	TIKI MASTER II MINI SET	54,00
FH TM 7 MS	TIKI MASTER MINI SET	54,00
FH FXII 14 MS	FXII MINI SET V. VIMFHFXII14MS	60,50
FH FOR2 12 MS	FLAME O RAMA 2 MINI SET	60,50
FH VKFX 5 MS	VIKING FX MINI SET BY CRAIG FRASER	41,20
FH SM 4 MS	SPIDER MASTER MINI SET BY CRAIG FRASER	48,20
FH SDSK 4MS	STEAM DRIVEN MINI SERIES SET BY CRAIG FRASER	50,30
FH SPFX2 5MS	STEAMPUNK FX2 MINI SERIES SET BY CRAIG FRASER	53,00
FH PTR5 MS	PATRIOTICA MINI SET	41,20
VHS, DVD & PUBLICATIONS		
FH TF DVD	MIKE LAVALLE'S TRUE FIRE DVD ONLY	61,50
MFX DVD 1	MAKEUP FX DVD 70 MINS.	89,90
NBD COS DVD	INTRODUCTION OF AIRBRUSH MAKEUP DVD	28,90
NAV 101	NAIL ART - GETTING STARTED DVD	44,40
VT 010 DVD	BASIC AUTO AIRBRUSHING - P. SHANTEAU	53,00
VT 020 DVD	BASIC TAIL GATE AIRB. - P. SHANTEAU	53,00
VT 030 DVD	BASIC GAS TANK AIRB. - P. SHANTEAU	53,00
VT 040	ULTIMATE AIRBRUSH HANDBOOK BY PAMELA SHANTEAU	92,60
VT 060	AUTOMOTIVE CHEAP TRICKS & SPECIAL F/X II BY CRAIG FRASER BOOK	89,90
VT 070	ROBERT PASCHAL - BASIC AIRBRUSH TECHNIQUES BOOK	34,20
VT 100	BASIC AIRBRUSH TECHNIQUES W/ DAVE MALONE	105,90
VT 1200	MIKE LAVALLE'S TRUE FIRE - PART 1 - DVD	98,40
VT 200	INTERMEDIATE AIRBRUSH TECHNIQUES W/ DAVE MALONE	105,90
VT 700	MASTERING SKULL MASTER W/ CRAIG FRASER	69,00
VT 800	AIRBRUSH GLASS PAINTING BY RAFAEL SCHNEPP	53,00
VT 075	BASIC AIRBRUSH TECHNIQUES EXERCISE KIT	29,40





MASKING FILMS

Code	Description	*SMP
STRETCH MASKS TRANSPARENT FILM for MASKING		
F 101	ARTOOL STRETCH MASK 18" X 10 YDS	46,50
F 102	ARTOOL STRETCH MASK 18" X 25 YDS	85,10
ART MASKS		
F 201	ARTOOL ART MASK 18" X 10 YDS	55,80
F 202	ARTOOL ART MASK 18" X 25 YDS	132,90
MATTE FILM		
F 311	MATTE FILM 24" X 20" SHEET 5 / 10 SHEET PACKS	73,30
GLOSS FILMS		
F 404	GLOSS FILM 24" X 10YD/ 6 PER CARTON	101,70
F 410	GLOSS FILM 15" X 10 SHEET 10 / 8 SHEET PACKS V. VIMF410	23,50
F 411	GLOSS FILM 24" X 20 SHEET 5 / 10 SHEET PACKS V. VIMF411	73,30
HOBBY MASKS		
HM 1	ARTOOL HOBBY MASK 6" X 10 YDS	31,00
HM 2 MS	ARTOOL HOBBY MASK MINI SERIESS	22,50
CUTTING RAILS		
CR 6	STANDARD 6 INCH CUTTING RAIL	17,10
CR 15	STANDARD 15 INCH CUTTING RAIL	23,50
CR 18	STANDARD 18 INCH CUTTING RAIL	26,20
CR 24	STANDARD 24 INCH CUTTING RAIL	28,90
CR 30	STANDARD 30 INCH CUTTING RAIL	33,70
CR 36	STANDARD 36 INCH CUTTING RAIL	37,50
CUTTERS		
NAT 700	MASKING KNIFE	11,80
NAT 705	MASKING KNIFE BLADES (5 PK)	7,00
NAT 715	MASKING KNIFE BLADES (15 PK)	17,10
CUTTING MATS		
FFCMA1/FT	24" X 36" (60 X 90 CM) TRANSLUCENT	96,30
FFCMA2/FT	18" X 24" (45 X 60 CM) TRANSLUCENT	50,30
FFCMA3/FT	12" X 18" (30 X 45 CM) TRANSLUCENT	28,90
FFCMA/1OG	24" X 36" (60 X 90 CM) GREEN/BLACK	96,30
FFCMA/2OG	18" X 24" (45 X 60 CM) GREEN/BLACK	50,30
FFCMA/3OG	12" X 18" (30 X 45 CM) GREEN/BLACK	28,90
FFCMA/4OG	8.5" X 12" (22 X 30 CM) GREEN/BLACK	17,10
HOT MATZ™		
FFCMA3/BG	HOT MATZ CUTTING MATZ 12" X 18" (30 X 45 CM) BLACK/GREEN	28,90
ARTIST BRIDGES		
MRC 12	CLEAR ACRYLIC ARTIST BRIDGE 12"	23,50
MRC 18	CLEAR ACRYLIC ARTIST BRIDGE 18"	22,50

STRETCHmask™
Adhesive-Backed Masking Film



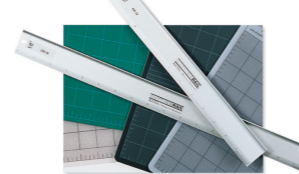
Artmask™
Adhesive-Backed Masking Film



Hobby Mask™
Adhesive-Backed Masking Film



CUTTING RAIL
Patent No. D360,149



Double-Colored and Translucent
CUTTING MATS



HOT MATZ
GET 2 COLORS IN 1 HOT MAT!



ARTIST BRIDGE
Patent No. D368,929 Made in U.S.A.

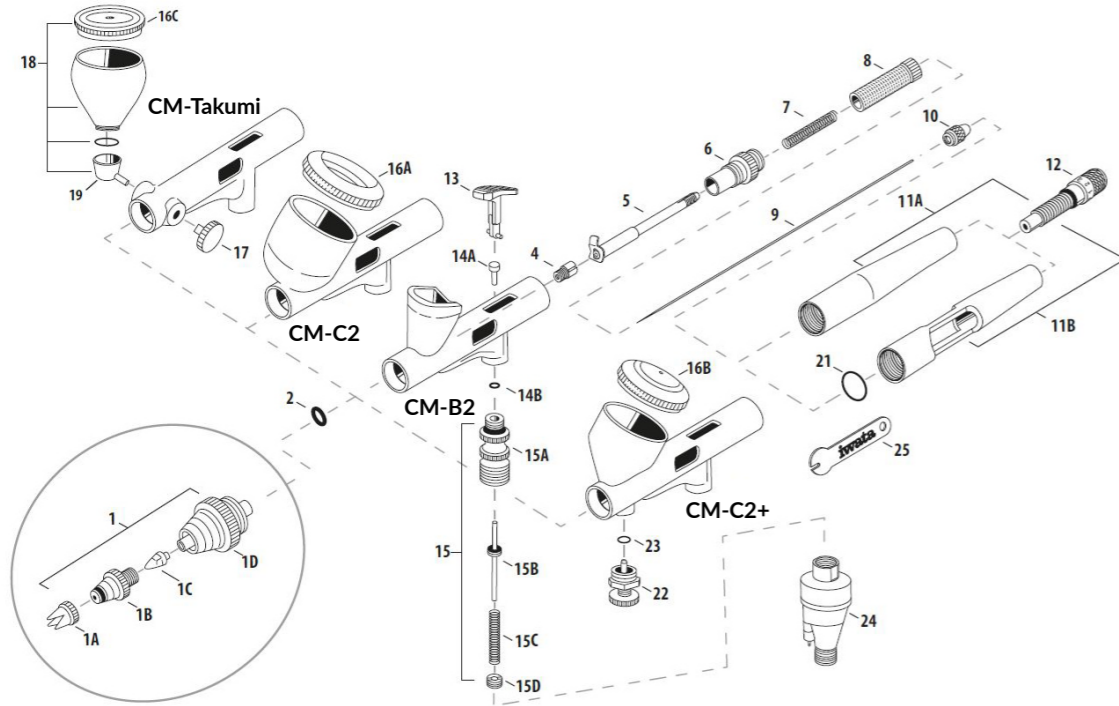


Spare Parts List

CUSTOM MICRON2 Series

CM-C2 Plus / CM-C2 / CM-B2 / CM-TAKUMI / CM-SB2

Custom Micron AIRBRUSH SERIES



Head system		C2	C2	C1	C1	C1		
Models		CM-C2+	CM-C2	CM-B2	CM-TAKUMI	CM-SB2	Ref.	*SMP
I 535 1	Fluid Head System C1			x	x	x	1	242,90
I 535 2	Fluid Head System C2	x	x				1	242,90
I 535 1D	Needle Crown Cap	x	x	x	x	x	1A	29,40
I 535 1C	Nozzle Cap C1			x	x	x	1B	57,80
I 535 2C	Nozzle Cap C2	x	x				1B	57,80
I 535 1B	Fluid Nozzle C1			x	x	x	1C	87,20
I 535 2B	Fluid Nozzle C2	x	x				1C	87,20
I 535 1A	Head Cap	x	x	x	x	x	1D	156,80
I 580 2	O Ring	x	x	x	x	x	2	19,30
I 590 2	Fluid Needle Packing (PTFE)	x	x	x	x	x	4	29,40
I 115 7	Needle Chucking Guide	x	x	x	x	x	5	19,30
I 115 1	Needle Chucking Guide	x	x				5	19,30
I 590 3	Spring Guide	x	x	x	x	x	6	29,40
I 570 1	Needle Spring	x	x	x	x	x	7	14,40
I 575 1	Needle Spring Adjustment	x	x	x	x	x	8	44,90
I 540 4	Fluid Needle C1			x		x	9	37,50
I 540 6	Fluid Needle C1				x		9	17,70
I 540 2	Fluid Needle C2		x				9	37,50
I 540 3	Fluid Needle C2	x					9	37,50
I 560 1	Needle Chucking Nut	x	x	x	x	x	10	14,40
I 585 4	Preset Cap Handle Set		x	x	x	x	11A	57,80
I 585 5	Preset Cap Handle Set	x					11B	57,80
I 586 1	Preset Cap Handle w/Crown Cap Dock	x	x	x	x	x	12	87,20
I 545 4	Main Lever	x	x	x	x	x	13	50,30
I 500 1	Piston	x	x	x	x	x	14A	14,40
I 580 1	Piston O-ring	x	x	x	x	x	14B	14,40
I 510 1	Air valve set	x	x	x	x	x	15	84,50
I 510 2	Air valve body	x	x	x		x	15A	15,50
I 505 1	Air valve	x	x	x		x	15B	15,50

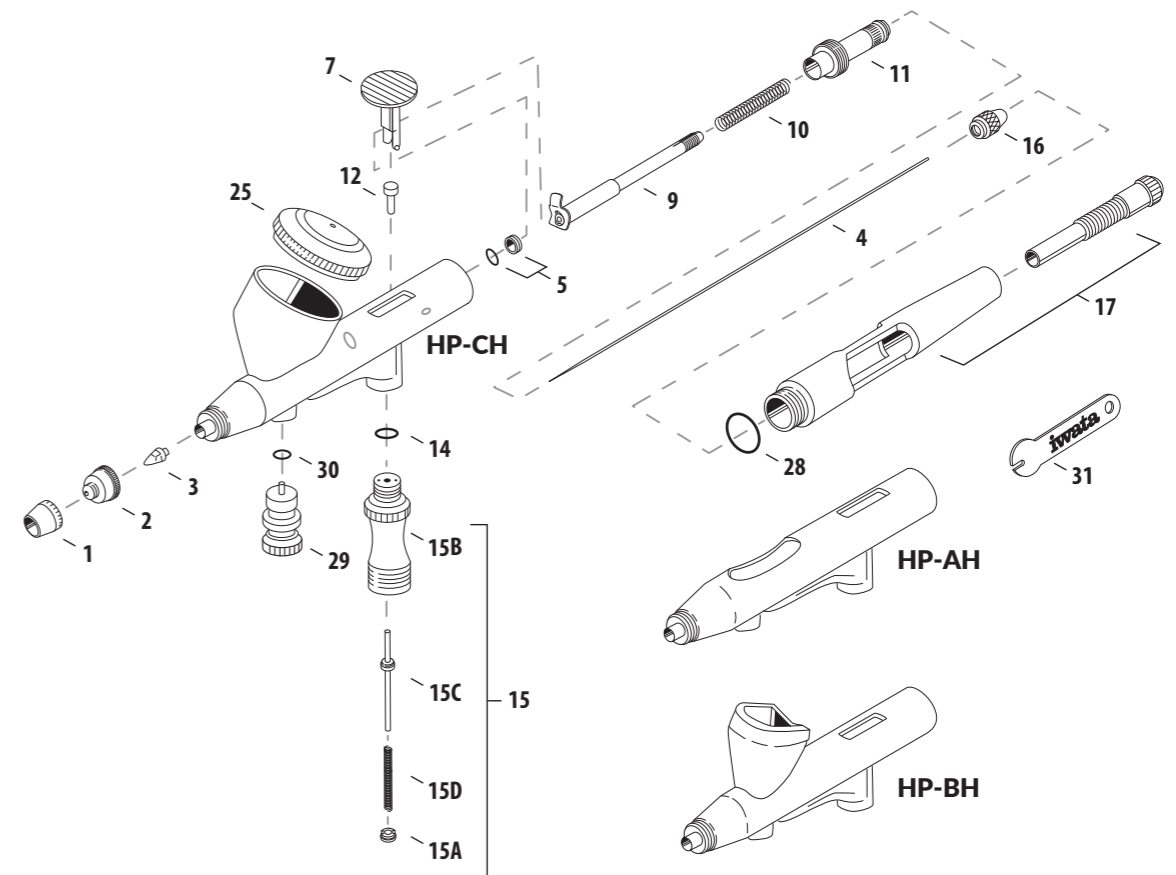
Head system		C2	C2	C1	C1	C1		
Models		CM-C2+	CM-C2	CM-B2	CM-TAKUMI	CM-SB2	Ref.	*SMP
I 510 4	Air valve spring	x	x	x		x	15C	14,40
I 510 3	Air valve guide	x	x	x		x	15D	15,50
I 530 1	Lid cup (0.24 oz / 7 ml)	opt.	x				16A	37,50
I 618 1	Lid cup (0.24 oz / 7 ml)	x	opt.				16B	19,30
I 618 7	Lid cup (0.24 oz / 7 ml)				x		16C	9,10
I 618 8	Lid cup (0.10 oz / 3 ml)				x		16C	6,40
I 045 2	Blanking cover				x	x	17	9,10
I 070 3	Side cup (0.05 oz / 1.50 ml)					x	18	57,80
I 070 4	Side cup (0.24 oz / 7 ml)					x	18	57,80
I 0710	Cup set (0.24 oz / 7 ml)				x		18	40,70
I 0711	Cup set (0.10 oz / 3 ml)				x		18	27,30
I 0700	Cup adaptor (Side Gravity)				x		19	13,40
I 150 5	Lid Packing					x	19	9,10
I 095 7	Lower Lid					x	20	10,20
I 605 1	Handle packing	x					21	9,10
I 190 1	Air control valve	x					22	29,40
I 190 2	O-ring	x					23	9,10
FA450	Pistol Grip Filter	x	x	x	x	x	24	46,50
I 165 1	Spanner	x	x	x	x	x	25	9,10
I 160 3	Quick Fit set (Qd & Adaptor)	opt.	opt.	opt.	opt.	opt.		25,70
I 160 4	Quick Fit Adaptor	opt.	opt.	opt.	opt.	opt.		11,80
J 001	Adaptor (Iwata Airbrushes to Paasche air hose)	opt.	opt.	opt.	opt.	opt.		9,60
J 002	Adaptor Iwata Airbrushes to T&C/Badger	opt.	opt.	opt.	opt.	opt.		9,60

Spare Parts List

HI LINE Series

HP-AH / HP-BH / HP-CH

Hi-Line AIRBRUSH SERIES



Head system		H2	H2	H3		
Models		HP-AH	HP-BH	HP-CH	Ref.	*SMP
I 110 1	Needle Cap H2	x	x		1	14,40
I 110 2	Needle Cap H3			x	1	14,40
I 140 1	Nozzle Cap H2	x	x		2	29,40
I 140 3	Nozzle Cap H3			x	2	29,40
I 080 7	Fluid Nozzle H2	x	x		3	57,80
I 080 8	Fluid Nozzle H3			x	3	57,80
I 075 1	Fluid Needle H2	x	x		4	19,30
I 075 3	Fluid Needle H3			x	4	19,30
I 725 1	Fluid Needle Packing set (PTFE)			x	5	10,20
I 125 7	Fluid Needle Packing set (PTFE)	x	x		5	14,40
I 100 2	Main Lever	x	x	x	7	29,40
I 115 7	Needle Chucking Guide	x	x		9	19,30
I 115 1	Needle Chucking Guide			x	9	19,30
I 135 2	Needle Spring	x	x		10	9,10
I 135 1	Needle Spring			x	10	9,10
I 770 1	Needle Guide	x	x	x	11	14,40
I 175 1	Piston	x	x	x	12	9,10
I 145 1	Air valve packing	x	x	x	14	9,10
I 030 1	Air valve set	x	x		15	57,80
I 030 4	Air valve set			x	15	57,80

Head system		H2	H2	H3		
Models		HP-AH	HP-BH	HP-CH	Ref.	*SMP
I 025 1	Air valve guide	x	x	x	15A	9,10
I 020 1	Air valve body	x	x	x	15B	29,40
I 015 1	Air valve	x	x		15C	14,40
I 015 3	Air valve			x	15C	14,40
I 035 1	Air valve spring	x	x	x	15D	9,10
I 120 1	Needle Chucking Nut	x	x	x	16	9,10
I 155 6	Preset Cap Handle Set	x	x	x	17	57,80
I 618 1	Lid Cup (0.24 oz / 7 ml)			x	25	19,30
I 605 1	O-ring (2 pcs.)	x	x	x	28	9,10
I 190 1	Air control valve	x	x	x	29	29,40
I 190 2	O-ring	x	x	x	30	9,10
I 165 1	Spanner	x	x	x	31	9,10
I 105 0	Head Crown Cap		opt.	opt.		29,40
I 160 3	Quick Fit set (Qd & Adaptor)	opt.	opt.	opt.		25,70
I 160 4	Quick Fit Adaptor	opt.	opt.	opt.		11,80
J 001	Adaptor (Iwata Airbrushes to Paasche air hose)	opt.	opt.	opt.		9,60
J 002	Adaptor Iwata Airbrushes to T&C/Badger	opt.	opt.	opt.		9,60

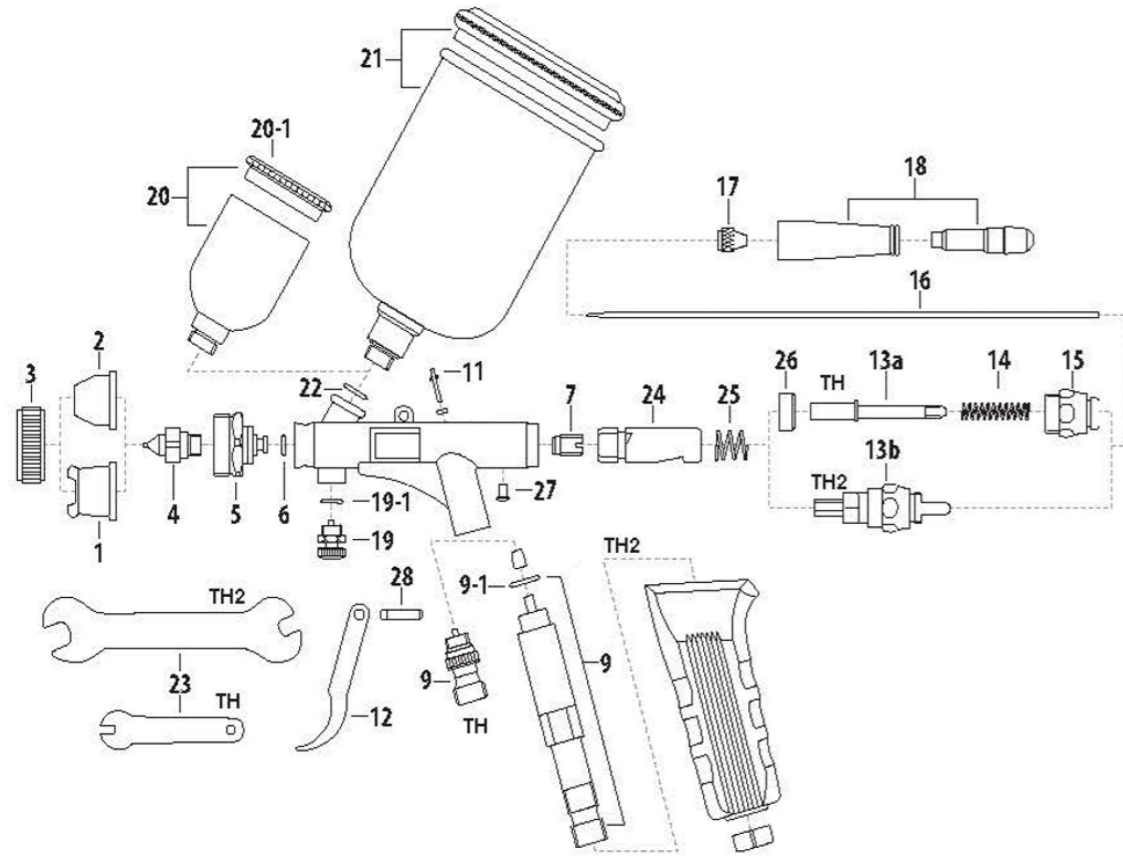
Spare Parts List

HI LINE Series with Trigger

HP-TH / HP-TH2

Hi-Line

AIRBRUSH SERIES



Head system		H5	H6		
Models		HP-TH	HP-TH2	Ref.	*SMP
I110 5	Air cap (Fan Pattern)	x		1	42,30
I110 9	Air cap (Fan Pattern)		x	1	70,10
I110 6	Air cap (Round Pattern)	x		2	42,30
I110 8	Air cap (Round Pattern)		x	2	47,10
I110 7	Air cap cover	x		3	13,40
I111 0	Air cap cover		x	3	23,00
I081 1	Nozzle	x		4	42,30
I081 2	Nozzle		x	4	47,10
I082 1	Head Base	x		5	63,10
I082 2	Head Base		x	5	70,10
I083 1	Head Base O-ring	x	x	6	6,40
I125 8	Needle Packing Screw	x	x	7	20,90
I712 1	Air Valve Set	x		9	57,80
I712 3	Air Valve Set		x	9	47,10
I605 1	Joint O-ring		x	9-1	9,10
I713 2	Valve Rod	x	x	11	11,20
I714 1	Trigger	x	x	12	118,20
I715 2	Needle Chucking Guide	x		13-A	50,30
I715 0	Needle Chucking Assembly		x	13-B	47,10

Head system		H5	H6		
Models		HP-TH	HP-TH2	Ref.	*SMP
I770 3	Needle Spring	x		14	9,10
I170 7	Needle Spring Guide	x		15	27,30
I075 7	Fluid needle	x		16	19,30
I075 8	Fluid needle		x	16	23,00
I120 1	Needle Chucking Nut	x	x	17	9,10
I155 9	Pre-set Handle Assembly	x	x	18	57,80
I190 1	Micro Air Control (MAC) Valve Set	x	x	19	29,40
I190 2	O-ring	x	x	19-2	9,10
I070 8	Gravity Cup (0.50 oz / 15 ml)	x	x	20	87,20
I718 2	Lid Cup (0.50 oz / 15 ml)	x	x	20-1	50,30
HPA-CB4M	Gravity Cup (5 oz / 150 ml)	x	x	21	94,20
I150 7	Lid O-ring	x	x	22	6,40
I165 1	Spanner	x		23	9,10
I165 3	Spanner		x	23	23,00
I730 1	Slide Cam	x	x	24	118,20
I730 2	Slide Cam Spring	x	x	25	14,40
I731 1	Main Body Ring	x		26	29,40
I731 2	Main Body Ring Screw	x		27	9,10
I714 2	Trigger Stud	x	x	28	19,30

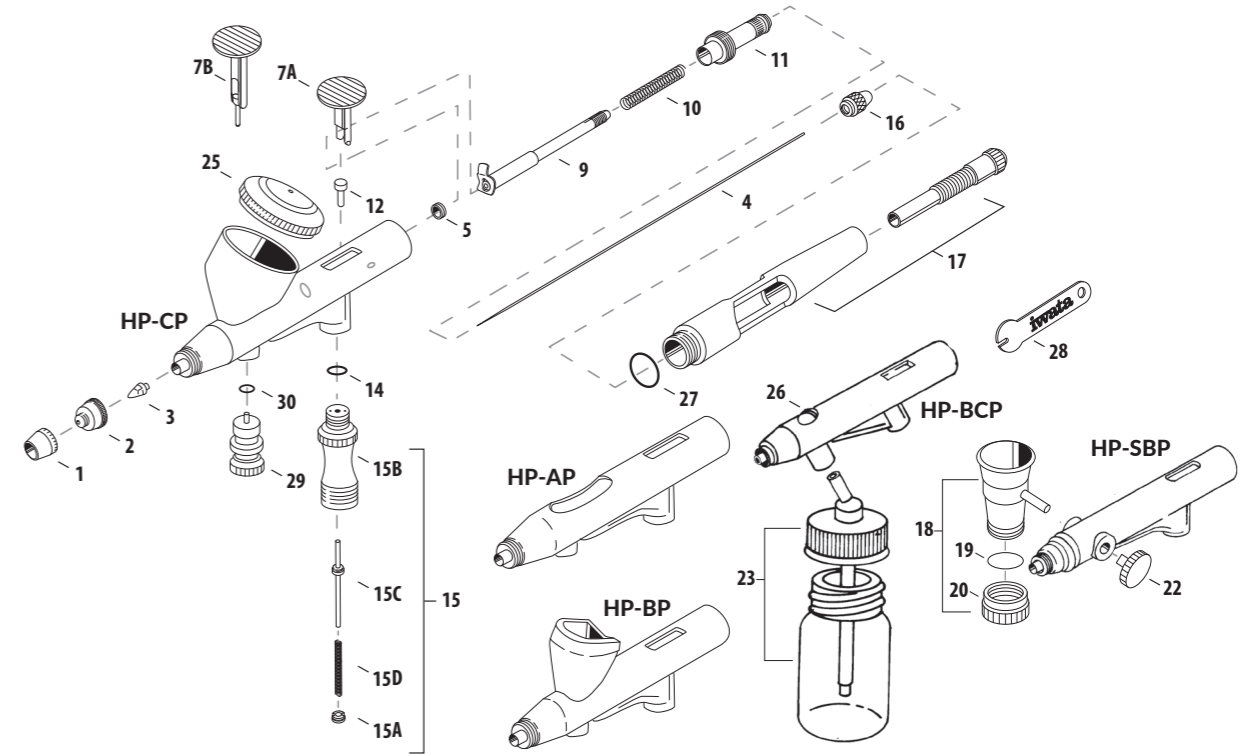
Spare Parts List

High Performance Plus Series

HP-AP / HP-BP / HP-CP / HP-SBP / HP-BCP

High Performance PLUS

AIRBRUSH SERIES



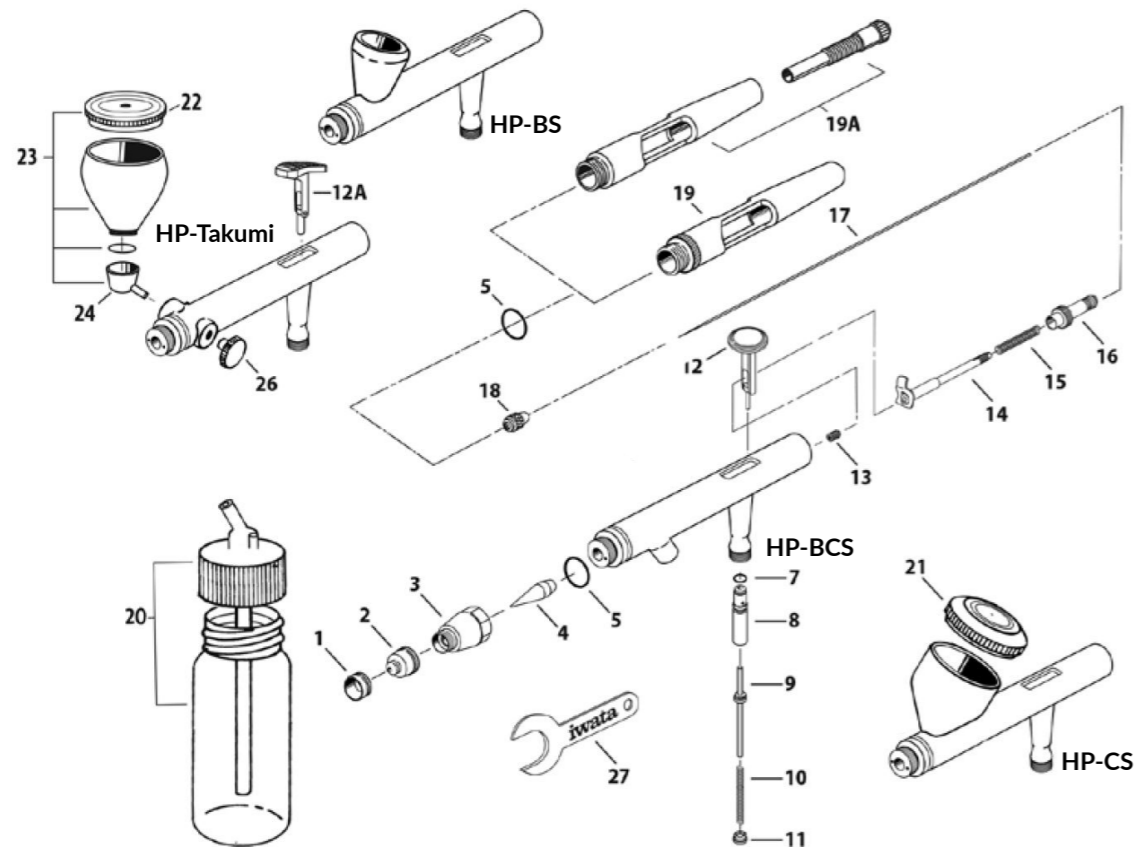
Head system		H2	H2	H3	H2	H3		
Models		HP-AP	HP-BP	HP-CP	HP-SBP	HP-BCP	Ref.	*SMP
I110 1	Needle Cap H2	x	x		x		1	14,40
I110 2	Needle Cap H3			x		x	1	14,40
I140 1	Nozzle Cap H2	x	x		x		2	29,40
I140 3	Nozzle Cap H3			x		x	2	29,40
I080 7	Fluid Nozzle H2	x	x		x		3	57,80
I080 8	Fluid Nozzle H3			x		x	3	57,80
I075 1	Fluid Needle H2	x	x		x		4	19,30
I075 3	Fluid Needle H3			x		x	4	19,30
I125 7	Fluid Needle Packing (PTFE)	x	x		x		5	14,40
I725 1	Fluid Needle Packing (PTFE)			x		x	5	10,20
I100 1	Main Lever	x	x		x		7-A	29,40
I100 2	Main Lever			x			7-A	29,40
I100 3	Main Lever					x	7-B	57,80
I115 7	Needle Chucking Guide	x	x		x		9	19,30
I115 1	Needle Chucking Guide			x		x	9	19,30
I135 2	Needle Spring	x	x		x		10	9,10
I135 3	Needle Spring			x		x	10	9,10
I170 6	Needle Guide	x	x		x		11	19,30
I770 1	Needle Guide			x		x	11	14,40
I175 1	Piston	x	x	x	x	x	12	9,10
I145 1	Air valve packing	x	x	x	x	x	14	9,10
I030 1	Air valve set	x	x		x		15	57,80
I030 4	Air valve set			x		x	15	57,80
I025 1	Air valve guide	x	x	x	x	x	15A	9,10
I020 1	Air valve body	x	x	x	x	x	15B	29,40
I015 1	Air valve	x	x		x		15C	14,40
I015 3	Air valve			x		x	15C	14,40

Head system		H2	H2	H3	H2	H3		
Models		HP-AP	HP-BP	HP-CP	HP-SBP	HP-BCP	Ref.	*SMP
I035 1	Air valve spring	x	x	x	x	x	15D	9,10
I120 1	Needle Chucking Nut	x	x	x	x	x	16	9,10
I155 5	Preset Cap Handle Set	x	x		x		17	57,80
I155 6	Preset Cap Handle Set			x		x	17	57,80
I070 3	Side cup (0.05 oz / 1.50 ml)				x		18	57,80
I150 5	Side cup Lid Packing				x		19	9,10
I095 7	Side cup lower Lid				x		20	10,20
I045 2	Blanking cover				x		22	9,10
I405 2	Glass bottle set (0.68 oz / 20 ml)					x	23	57,80
I618 1	Lid Cup (0.24 oz / 7 ml)			x			25	19,30
I045 1	Blanking cover				x		26	14,40
I605 1	O-ring (2 pcs.)	x	x	x	x	x	28	9,10
I165 1	Spanner	x	x	x	x	x	29	9,10
I195 1	Conversion kit (from 0.3 mm to 0.4 mm)			x		x		118,20
I105 0	Crown cap	opt.	opt.	opt.	opt.	opt.		29,40
I160 3	Quick Fit set (Qd & Adaptor)	opt.	opt.	opt.	opt.	opt.		25,70
I160 4	Quick Fit Adaptor	opt.	opt.	opt.	opt.	opt.		11,80
J001	Adaptor (Iwata Airbrushes to Paasche air hose)	opt.	opt.	opt.	opt.	opt.		9,60
J002	Adaptor (Iwata Airbrushes to T&C/Badger)	opt.	opt.	opt.	opt.	opt.		9,60
I450 1S	Side cup 1oz - Clear				x			13,50
I450 2S	Side cup 2oz - Clear				x			13,50
I470 1S	Side cup 1oz - HS				x			13,50
I470 2S	Side cup 2oz - HS				x			13,50

Spare Parts List

Eclipse Series

HP-BS / HP-CS / HP-SBS / HP-TAKUMI / HP-BCS



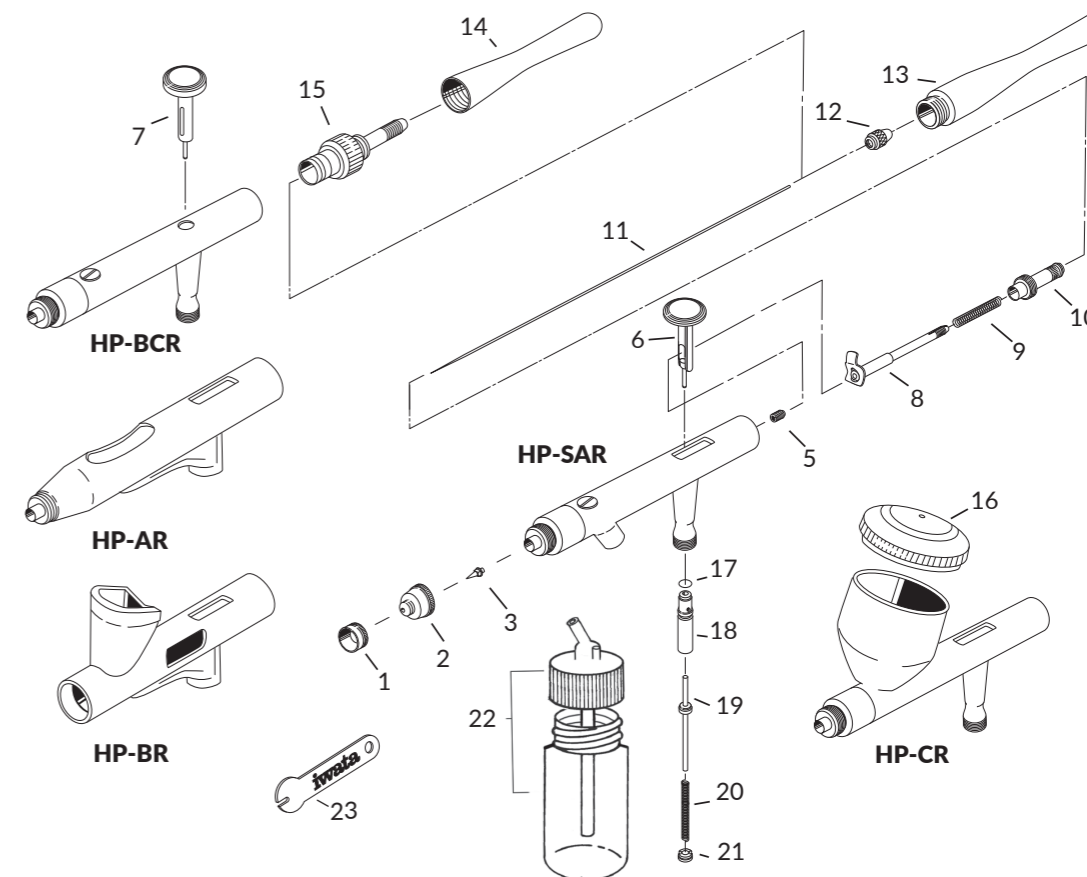
Head system		E3	E3	E5	E3	E3		
Models		HP-BS	HP-CS	HP-BCS	HP-TAKUMI	HP-SBS	Ref.	*SMP
I 601 1	Needle Cap	x	x	x		x	1	6,40
I 105 0	Crown Cap				x		1	29,40
I 602 1	Nozzle Cap E5			x			2	14,40
I 602 2	Nozzle Cap E3	x	x		x		2	19,30
I 603 1	Head Cap	x	x	x	x	x	3	19,30
I 604 1	Nozzle set E5			x			4	19,30
I 604 2	Nozzle set E3	x	x		x	x	4	37,50
I 605 1	O-ring (2 pcs.)	x	x	x	x	x	5	9,10
I 580 1	O-ring (2 pcs.)	x	x	x	x	x	7	14,40
I 608 1	Air valve guide	x	x	x	x	x	8	14,40
I 609 1	Air valve	x	x	x	x	x	9	9,10
I 510 4	Air valve Spring	x	x		x	x	10	14,40
I 611 1	Air valve guide screw	x	x	x	x	x	11	9,10
I 612 1	Main Lever	x	x	x	x	x	12	19,30
I 612 4	Main Lever				x		12A	17,70
I 725 1	Fluid Needle Packing (PTFE) (0.3 mm)	x	x	x	x	x	13	10,20
I 125 7	Fluid Needle Packing (PTFE) (0.5 mm)	x	x	x		x	13	14,40
I 115 1	Needle Chucking Guide	x	x	x	x	x	14	19,30
I 135 1	Needle Spring	x	x		x	x	15	9,10
I 135 2	Needle Spring			x			15	9,10
I 170 2	Spring guide	x	x	x	x	x	16	19,30
I 617 1	Needle set E5			x			17	14,40
I 617 2	Needle set E3	x	x			x	17	14,40
I 617 6	Needle set E3				x		17	6,40

Head system		E3	E3	E3	E3	E5		
Models		HP-BS	HP-CS	HP-BCS	HP-TAKUMI	HP-SBS	Ref.	*SMP
I 120 2	Needle Chucking Nut	x	x	x	x	x	18	6,40
I 120 1	Needle Chucking Nut	x	x	x		x	18	9,10
I 619 1	Single Cut Handle	x	x	x	x	x	19	37,50
I 155 2	Preset Handle	opt.	opt.	opt.	opt.	opt.	19	57,80
I 155 6	Preset Handle	opt.	opt.	opt.	x	opt.	19A	57,80
A 470 2	Bottle set (2 oz / 60 ml)				x		20	4,80
I 618 1	Lid Cup (0.24 oz / 7 ml)		x				21	19,30
I 618 7	Lid Cup (0.24 oz / 7 ml)				x		22	9,10
I 0710	Side Cup (0.24 oz / 7 ml)				x		23	40,70
I 0700	Side Cup Adaptor				x		24	13,40
I 045 2	Blanking cover				x	x	26	9,10
I 630 1	Eclipse Serie Spanner	x	x	x	x	x	27	9,10
I 070 3	Side Cup (0.05 oz / 1.50 ml)					x		57,80
I 070 4	Side Cup (0.24 oz / 7 ml)					opt.		57,80
I 095 7	Lower Lid					x		10,20
I 150 5	Lower Lid Packing					x		9,10
I 160 3	Quick Fit set (Qd & Adaptor)	opt.	opt.	opt.	opt.	opt.		25,70
I 160 4	Quick Fit Adaptor	opt.	opt.	opt.	opt.	opt.		11,80
J 001	Adaptor (Iwata Airbrushes to Paasche air hose)	opt.	opt.	opt.	opt.	opt.		9,60
J 002	Adaptor Iwata Airbrushes to T&C/Badger	opt.	opt.	opt.	opt.	opt.		9,60

Spare Parts List

Revolution Series

HP-AR / HP-BR / HP-CR/ HP-CR3 / HP-BCR / HP-SAR



Head system		R3	R3	R5	R3	R5	R5		
Models		HP-AR	HP-BR	HP-CR	HP-CR3	HP-SAR	HP-BCR	Ref.	*SMP
I 701 1	Needle Cap R5			x		x	x	1	9,10
I 701 2	Needle Cap R3	x	x		x			1	9,10
I 702 1	Nozzle Cap R5			x		x	x	2	19,30
I 702 2	Nozzle Cap R3	x	x		x			2	19,30
I 704 1	Nozzle set R5			x		x	x	3	37,50
I 704 2	Nozzle set R3	x	x		x			3	37,50
I 125 7	Fluid Needle Packing (PTFE)	x	x		x			5	14,40
I 725 1	Fluid Needle Packing (PTFE)			x		x	x	5	10,20
I 612 1	Main Lever	x	x	x	x		x	6	19,30
I 612 2	Main Lever					x		7	10,20
I 115 7	Needle Chucking Guide	x	x		x			8	19,30
I 115 1	Needle Chucking Guide			x			x	8	19,30
I 135 1	Needle Spring	x	x	x	x		x	9	9,10
I 770 1	Needle Guide	x	x	x	x		x	10	14,40
I 617 1	Needle set R5			x		x	x	11	14,40
I 717 3	Needle set R3	x	x		x			11	10,20

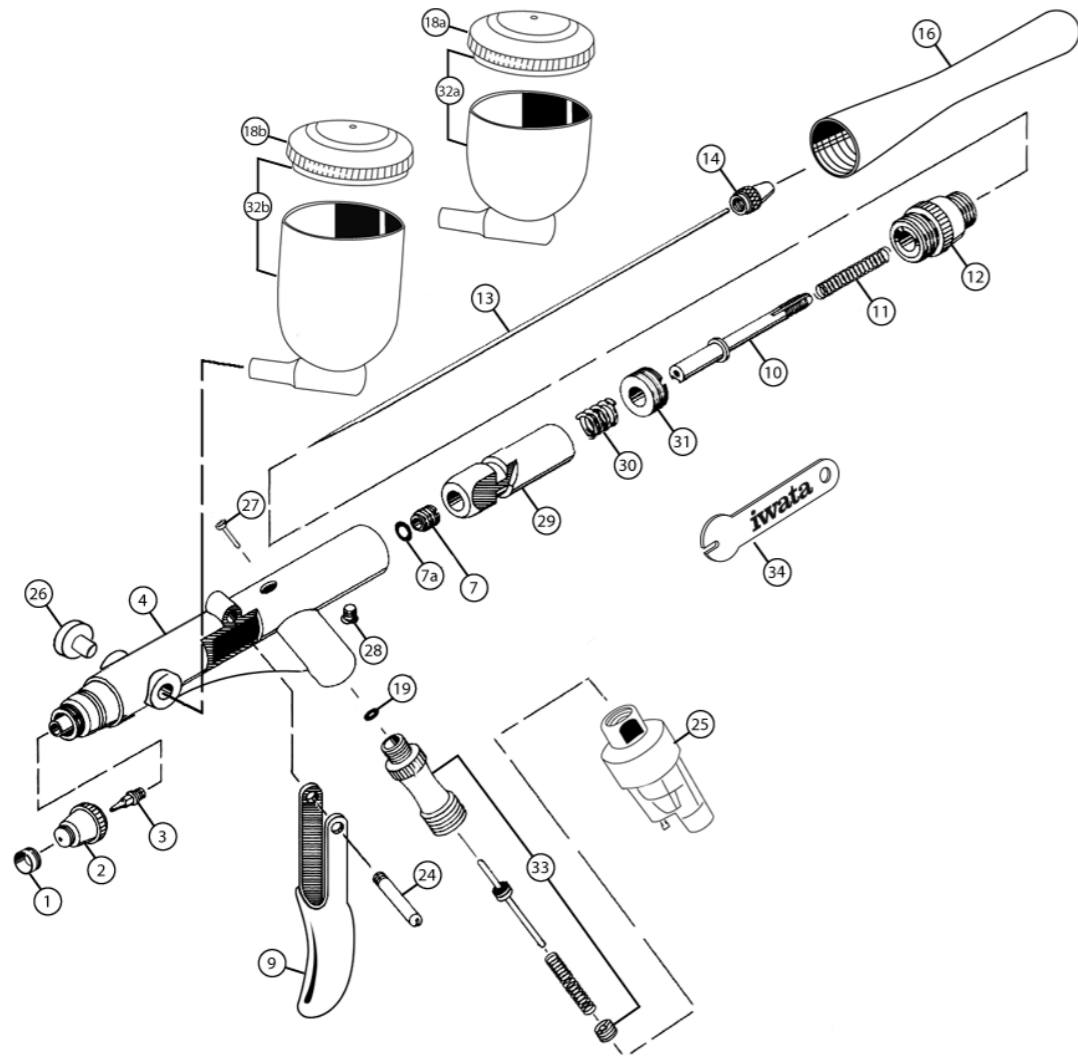
Head system		R3	R3	R5	R3	R5	R5		
Models		HP-AR	HP-BR	HP-CR	HP-CR3	HP-SAR	HP-BCR	Ref.	*SMP
I 120 1	Needle Chucking Nut	x	x	x		x	x	12	9,10
I 120 2	Needle Chucking Nut	x	x	x	x	x	x	12	6,40
I 719 1	Ergonomic Handle	x	x	x	x		x	13	29,40
I 155 2	Preset Handle	opt.	opt.	opt.	opt.		opt.	13	57,80
I 155 6	Preset Cut-Away Handle	opt.	opt.	opt.	opt.		opt.	13	57,80
I 722 1	Fluid Adjustment Knob					x		15	29,40
I 618 1	Lid Cup (0.24 oz / 7 ml)			x	x			16	19,30
I 580 1	O-ring (2pz.)	x	x	x	x	x	x	17	14,40
I 608 1	Air Valve Guide	x	x	x	x	x	x	18	14,40
I 609 1	Air Valve	x	x	x	x	x	x	19	9,10
I 035 1	Air Valve Spring	x	x	x	x	x	x	20	9,10
I 611 1	Air Valve Guide Screw	x	x	x	x	x	x	21	9,10
A 470 1	Bottle set (0.24 oz / 7 ml)					x		22	9,10
I 765 1	Spanner	x	x	x	x	x	x	23	6,40

Spare Parts List

Revolution Series with Trigger

HP-TR1 / HP-TR2

Revolution
AIRBRUSH SERIES



Head system		N3	N5		
Models		HP-TR1	HP-TR2	Ref.	*SMP
1701 1	Needle Cap N5		x	1	9,10
1701 2	Needle Cap N3	x		1	9,10
1702 2	Nozzle Cap N3	x		2	19,30
1702 1	Nozzle Cap N5		x	2	19,30
1704 2	Nozzle set N3	x		3	37,50
1704 1	Nozzle set N5		x	3	37,50
1725 2	Needle Packing Screw	x	x	7	19,30
1725 3	Fluid Needle Packing (PTFE)	x	x	7A	10,20
1714 1	Trigger	x	x	9	118,20
1715 2	Needle Chucking Guide	x	x	10	50,30
1770 3	Spring	x	x	11	9,10
1770 2	Spring Guide	x	x	12	37,50
1717 4	Needle Set N3	x		13	19,30
1717 5	Needle Set N5		x	13	19,30
1120 2	Needle Chucking Nut	x	x	14	6,40

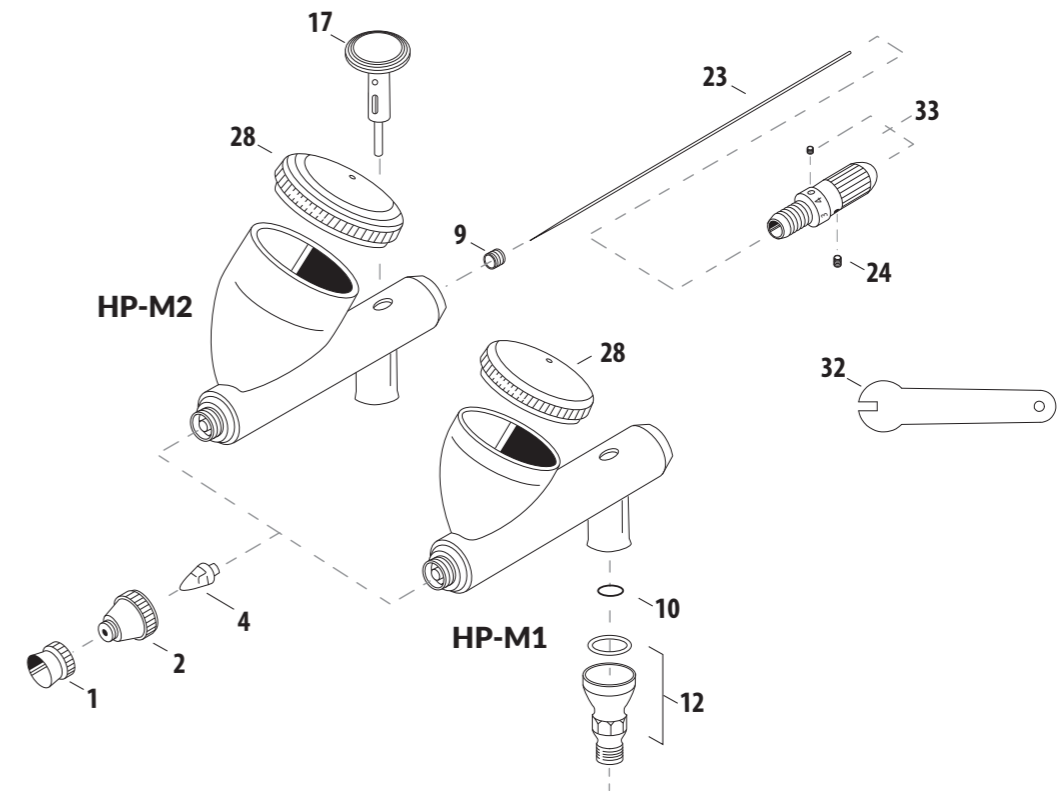
Head system		N3	N5		
Models		HP-TR1	HP-TR2	Ref.	*SMP
1618 1	Lid Cup (0.24 oz / 7 ml)	x		18a	19,30
1718 2	Lid Cup (0.50 oz / 15 ml)		x	18b	50,30
1145 1	Air Valve Packing	x	x	19	9,10
1714 2	Trigger Stud	x	x	24	19,30
FA450	Pistol Grip Filter	x	x	25	46,50
1045 2	Blanking cover	x	x	26	9,10
1713 1	Air Valve Rod	x	x	27	19,30
1731 2	Screw	x	x	28	9,10
1730 1	Slide Cam	x	x	29	118,20
1730 2	Slide Cam Spring	x	x	30	14,40
1731 1	Main Body Ring	x	x	31	29,40
1720 1	Side Gravity Cup (0.24 oz / 7 ml)	x	opt.	32a	57,80
1070 6	Side Gravity Cup (0.50 oz / 15 ml)	opt.	x	32b	57,80
1712 1	Air Valve Set	x	x	33	57,80
1165 1	Spanner	x	x	34	9,10

Spare Parts List

Revolution Mini Line Series

HP-M1 / HP-M2

Revolution
AIRBRUSH SERIES

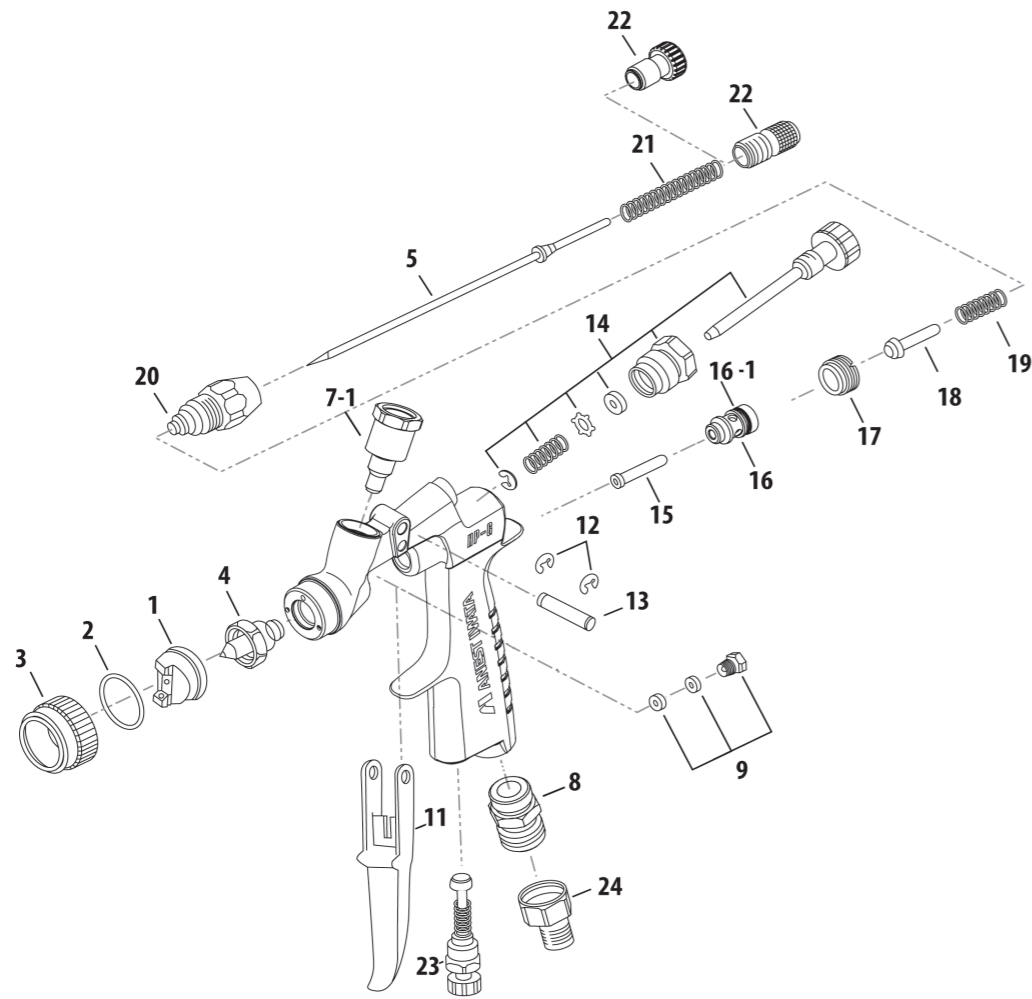


Head system		M3	M4		
Models		HP-M1	HP-M2	Ref.	*SMP
1701 4	Needle Cap M3	x		1	9,10
1701 5	Needle Cap M4		x	1	9,10
1702 4	Nozzle Cap M3	x		2	19,30
1702 5	Nozzle Cap M4		x	2	19,30
1704 4	Nozzle set M3	x		4	37,50
1704 5	Nozzle set M4		x	4	37,50
1725 1	Fluid Needle Packing (PTFE)	x	x	9	10,20
1145 1	Piston O-ring	x	x	10	9,10
1712 2	Air Valve set	x	x	12	50,30
1714 3	Main Lever	x	x	17	19,30
1717 6	Needle Set M3	x		23	37,50
1717 7	Needle Set M4		x	23	37,50
1715 3	Needle Chucking Nut	x	x	24	9,10
1718 3	Lid Cup	x		28	19,30
1618 1	Lid Cup (0.24 oz / 7 ml)		x	28	19,30
1722 2	Fluid Adjustment Valve	x	x	33	50,30
1165 1	Spanner	x	x	32	9,10

G Series

HP-G3/ HP-G5

iwata
by ANEST IWATA
G-SERIES



Head system		G3	G5		
Models		HP-G3	HP-G5	Ref.	*SMP
I 600 4	Air Cap Set G3	x		1	156,80
I 600 5	Air Cap Set G5		x	1	156,80
I 600 2	Air Cap Packing	x	x	2	9,10
I 600 3	Air Cap Cover	x	x	3	19,30
I 604 5	Fluid Nozzle Set G3	x		4	118,20
I 604 6	Fluid Nozzle Set G5		x	4	118,20
I 617 5	Fluid Needle	x	x	5	50,30
I 650 1	Fluid Nipple	x	x	7-1	29,40
I 680 1	Air Nipple	x	x	8	14,40
I 215 2	Fluid Needle Packing Set	x	x	9	27,30
I 233 1	Trigger	x	x	11	21,90
I 332 1	E Stopper (2 pcs.)	x	x	12	10,20
I 234 1	Trigger stud	x	x	13	10,20

Head system		G3	G5		
Models		HP-G3	HP-G5	Ref.	*SMP
I 625 2	Pattern Adjustment Set	x	x	14	87,20
I 202 3	Air Valve Shaft	x	x	15	21,90
I 205 2	Air Valve Seat	x	x	16	54,00
I 660 1	O-ring	x	x	16-2	9,10
I 205 3	Air Valve Seat Screw	x	x	17	10,20
I 202 2	Air Valve	x	x	18	21,90
I 206 2	Air Valve Spring	x	x	19	10,20
I 208 2	Fluid Adjustment Guide	x	x	20	54,00
I 225 2	Needle Spring	x	x	21	15,50
I 670 1	Fluid Adjustment Knob	x	x	22	19,30
I 626 2	Air Adjustment Set	x	x	23	50,30
I 624 1	Air Hose Adapter	x	x	24	20,90
14018180D	Gravity Cup PC 51 D (220 ml)		x		82,90
14018190D	Gravity Cup PC 61 D (130 ml)	x			78,10



iwata
by ANEST IWATA

iwata *Medea*

ANEST IWATA-MEDEA, Inc.

ANEST IWATA Italia S.r.l.
Chieri (TO) - ITALY.
info@anest-iwata-it.com
www.anest-iwata-coating.com

ANEST IWATA Deutschland GmbH
Leipzig - GERMANY
info@anest-iwata-de.com
www.anest-iwata-coating.com

ANEST IWATA France S.A.
Saint Quentin Fallavier, Lyon - FRANCE
info@anest-iwata-fr.com
www.anest-iwata-coating.com

ANEST IWATA U.K. Ltd.
St. Neots Cambridgeshire - ENGLAND
info@anest-iwata-uk.com
www.anest-iwata-coating.com

ANEST IWATA Iberica S.L.U.
Saint Adrià del Besos - Barcelona - SPAIN
info@anest-iwata-ib.com
www.anest-iwata-coating.com

ANEST IWATA Scandinavia AB.
Partille, Göteborg - SWEDEN
info@anest-iwata-se.com
www.anest-iwata-coating.com

ANEST IWATA Polska Sp. Z o.o.
Jasin / Swarzędz - POLAND
info@anest-iwata-pl.com
www.anest-iwata-coating.com

iwata
by ANEST IWATA



Medea

www.iwata-airbrush.com

AIRBRUSH SELECTOR | PARTS FINDER | LET'S GET STARTED