

# SPRAY GUNS & ACCESSORIES FOR CAR REFINISH



## 2026 PRICE LIST



PROFESSIONAL COATING EQUIPMENT SPECIALIST





# PASSION FOR PAINTING

We are passionate about painting and eager about creating; for this, we design spray guns which help you to cross any boundary.

YOUR CUSTOMERS, OUR MISSION.



## GROUP

Anest Iwata boasts more than 95 years of experience in the coating industry, combining the most sophisticated traditional Japanese craftsmanship with the continuous pursuit of cutting-edge technology.

## PASSION & PERFORMANCE

As a global group we aim to deliver the most technically advanced spraying equipment on the market. When designing our products we think about highly professional and creative individual who have passion for painting and are looking for the greatest performance. With this in mind we always try to reach for the highest standards of sophistication, creativity and technical realization.

## A WIDE RANGE

Our range of products varies from several spray guns lines, pumps and painting accessories, projected ad hoc for different paint application and to satisfy the customer in his research for the best solution.

## CUSTOMER ORIENTED

The automotive refinish, together with the industrial and the wood sector are only few of the areas in which the Anest Iwata experience has found its appreciation between the users, not only for the excellence of our tools, but also for the attentive service our customers can count on. Anest Iwata effort in providing the best results in performance is also conceived for the optimization of the resources and materials in the optic of begin environmental-friendly.



# AUTOMOTIVE REFINISH

## GETTING INTO SOLUTIONS

The automotive refinish is one of our most demanding fields in terms of surface quality considering colour reproduction, smoothness and layer thickness, our tools are designed to help you get the most faithful reproduction of the original colour.

## FIND THE BEST TOOLS

Anest Iwata in collaboration with painting companies aims to provide the best tools to achieve a great performance in terms of functionality and also painting experience.



## 1. MANUAL SPRAY GUN

### CLEARCOAT

#### PREMIUM QUALITY

WS-400 SERIES2 CLEAR - DIGITAL.....8

WS-400 SERIES2 CLEAR - STANDARD.....10

#### HIGH QUALITY

W-400 WBX CLASSIC PLUS.....12

### BASECOAT

#### PREMIUM QUALITY

WS-400 SERIES2 BASE - DIGITAL.....14

WS-400 SERIES2 BASE - STANDARD...16

LS-400 SERIES2 BASE - DIGITAL.....18

LS-400 SERIES2 BASE - STANDARD.....20

WS/LS SERIES2 SUPERIOR SET  
COMBINATION CHART.....22

#### HIGH QUALITY

W-400 WB1 & WB2 CLASSIC PLUS.....24

### PRIMER

#### PREMIUM QUALITY

WS-PRIMER.....26

WS-PRIMER UV.....28

LPH 300 (LVLP).....30

#### HIGH QUALITY

W-400 BELLARIA CLASSIC PLUS.....32

#### STANDARD QUALITY

AZ3 HTE-S IMPACT.....34

### SPRAY PUTTY

#### STANDARD QUALITY

AZ3 HTE2 HVLP.....36

AZ3 HTE P.A.S. CONCEPT.....38

### SMART REPAIR

#### PREMIUM QUALITY

W-300 WB.....40

#### STANDARD QUALITY

W-300.....42

#### PREMIUM QUALITY

W-300 WB UV CURED PAINTS.....44

#### STANDARD QUALITY

AZ4 HTE-S IMPACT JUNIOR.....46

### SPOT REPAIR

#### PREMIUM QUALITY

LPH-80 (LVLP).....48

### CUSTOM PAINTING

#### HIGH QUALITY

RG-3L ROUND PATTERN.....50

AIRBRUSHE SERIES.....52

## 2. PRESSURE SPRAY GUN

### COMMERCIAL VEHICLE APPLICATION

#### PREMIUM QUALITY

WS-200 SERIES.....54

#### HIGH QUALITY

W-200 INTEGRA SERIES.....58

### UNIVERSAL

#### HIGH QUALITY

W-400 CLASSIC PLUS.....66

#### STANDARD QUALITY

AZ3 HTE 2.....68

## 3. PAINT SUPPLY SYSTEM

### DOUBLE DIAPHRAGM PAINT PUMPS

DPS-120C SERIES | DPS-90G SERIES.....72

### PAINT PRESSURE TANKS

PET-SERIES (10, 30, 50 LT.) (7.0 BAR).....76

PET-10 (10 LT.) (4.0 BAR).....78

PC-18D (2LT) (3.5 BAR).....79

## 4. CUPS, FILTERS AND ADAPTERS

GRAVITY CUPS.....82

PAINT FILTERS & 3M ADAPTERS.....83

ALUMINIUM GRAVITY CUPS/  
UNDER GUN FILTERS.....84

BLACK "UV" CUPS /  
SUCTION CUPS.....85

## 5. GENERAL ACCESSORIES

ANEST IWATA OVERALL / VISIONSHIELD  
SERIES  
(GOGGLES & GLASSES).....88

AIRFED 2020 FULL FACE MASK/  
VIPER HALF FACE GUARD MASK.....89

## 6. CLEANING AND MAINTENANCE

### SPRAY GUN CLEANING APPLICATORS

PCA 12.0/HCA12.0.....92

### CLEANING & MAINTENANCE TOOLS

MAINTENANCE COMPLETE TOOL KIT...93

MAINTENANCE ESSENTIAL TOOL KIT...93

### SPRAY GUN WASHERS

KUIK MINI GUN WASHER.....94

IWK-H2O GUN WASHER.....95

INOX LINE SOL (SLD).....96

INOX LINE SOL (SLD+ILD).....96

INOX LINE IWK SLB & IWK SLC.....96

## SPRAY GUN SUPPORTS

MAGNETIC SUPPORTS & GRAVITY GUN  
HOLDERS.....98

### SPRAY CONTROL

MAGNETIC SPRAY TESTER.....99

### AIR FILTERING

AIR FILTER REGULATORS 1/2".....100

### AIR SUPPLY

#### CONDUCTIVE AIR/FLUID

HOSES & COUPLINGS.....101

#### PRESSURE SETTING

#### AIR PRESSURE REGULATORS

HVC-D Digital Pressure Regulator - HVC ,  
HVC-2, IMPACT CONTROLLER2.....102

## 7. DRYING SYSTEM

### INFRARED UNITS

(SERIES 1 KW-3 KW-4,5 KW-6 KW).....104

ADG-1B AQUADRY PAINT DRYER.....106

AI JET AIR NOOZLE DRYER.....106

### DEMO TOOLS

DEMO TROLLEY.....107

### OTHER ACCESSORIES

AZ PVA TN UNDERCOAT GUN.....107

## 8. GENERAL INFORMATION

SALES CONDITIONS.....108

### ICONS LEGEND

 NOZZLE SIZE

 AIR CAP SET

 AIR PRESSURE

 FLUID OUTPUT

 AIR CONSUMPTION

 PATTERN WIDTH



# APPLICATION CHART

	PREMIUM		HIGH		STANDARD	
	GRAVITY	PRESSURE	GRAVITY	PRESSURE	GRAVITY	GRAVITY
CLEARCOAT	 WS-400 SR2 CLEAR P. 8	 WS-200 SP P. 54	 W-400 WBX P. 12	 W-200 INTEGRA P. 58		
BASECOAT	 WS-400 SR2 BASE P. 14	 LS-400 SR2 BASE P. 18	 WS-200 SP P. 54	 W-400 WB2 P. 24	 W-200 INTEGRA P. 58	
PRIMER	 WS-PRIMER P. 26	 WS-PRIMER UV P. 28	 WS-200 SP P. 54	 W-200 INTEGRA P. 58	 AZ3 HTE-S IMPACT P. 34	
SPRAY PUTTY					 AZ3 HTE2 HVLP P. 36	 AZ3 HTE P.A.S. CONCEPT P. 38
SPOT REPAIR	 LPH-80 P. 48				 AZ4 HTE-S JUNIOR P. 46	
SMART REPAIR	 W-300 WB P. 40	 W-300 WB UV P. 44				
CUSTOM PAINTING			 RG-3L P. 50			


1

# MANUAL SPRAY GUNS




# WS-400 SERIES2 CLEAR - DIGITAL

## FEATURES




Split Nozzle™ 2.0  
Compliant Clear




Designed by  
Pininfarina



Lower  
Noise Level



DPG-1  
Digital Pressure Gauge



Optimized  
Setting

**WS400**  
**SR2**



- The Anest Iwata WS-400 Series 2 CLEAR Superior range is perfectly placed for the application of clearcoats.
- Optimize setups available which cover a wide range application requirements, and variety of options available for different styles and speeds.
- Integrated quick detachable compact DPG-1 digital manometer system.
- Special black chrome body

## TECHNICAL DATA

• HD ( High Delivery) • Air Nipple: G1/4" • Fluid Nipple: G1/4"

setup	type	application speed	model name - digital	cap	bar*	Nl/min	mm**
HD SETUP	1.2 HD	CONTROL	WS-400-SR2D-12HD	WS-400-03	2.0	370	245
	1.3 HD	STANDARD	WS-400-SR2D-13HD				250
	1.4 HD	SPEED	WS-400-SR2D-14HD				255
	1.5 HD	HIGH SPEED	WS-400-SR2D-15HD				260

\*Suggested gun inlet pressure during spraying. \*\*Fan width at a Spray distance of 150 mm.

## ORDER INFORMATION

	HD SET UP				€
	1.2 HD	1.3 HD	1.4 HD	1.5 HD	
<b>WS-400 CLEAR DIGITAL</b>					
PRO SET	130193A0	130194A0	130195A0	130196A0	<b>850.80</b>
SUPERIOR SET	Please refer to the table on page 22 to see the full range of available combinations and pricing.				
<b>AIR CAP SET</b>	93009030				<b>131.80</b>
<b>FLUID NOZZLE &amp; NEEDLE</b>	93009140	93009060	93009160	93009180	<b>146.70</b>

## SET OPTIONS & CONTENTS

### ★★★ SUPERIOR SET\*



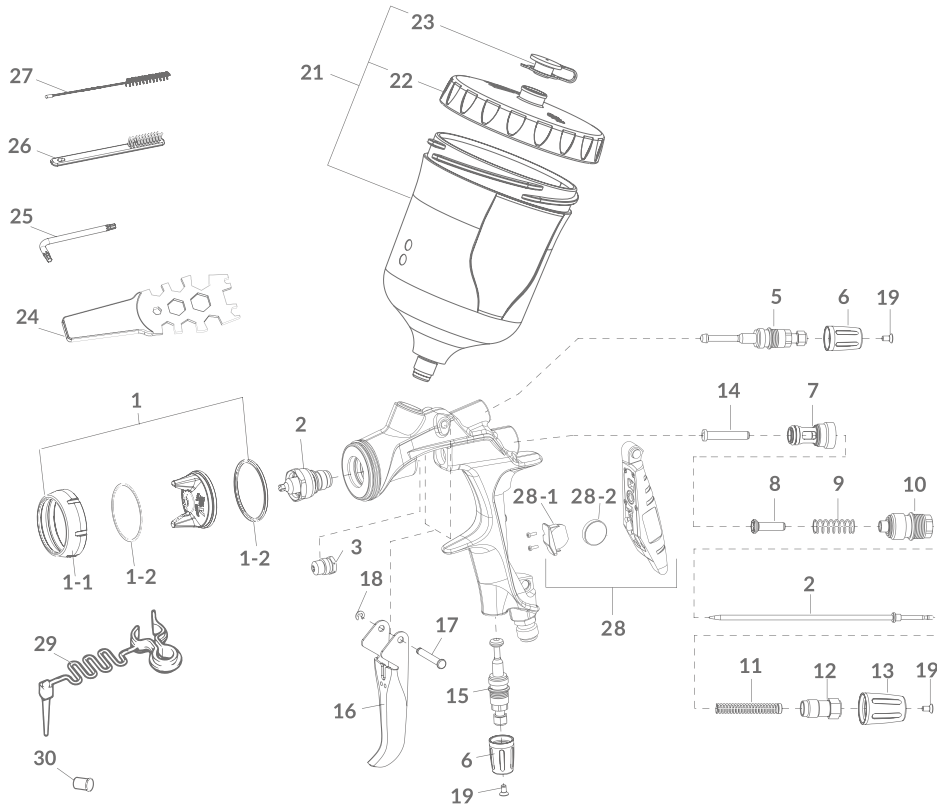
### ★★ PRO SET



Two Series 2 Spray Guns - Two 600 ml Gravity Cup - Cleaning Brushes - Universal Spanner.  
On Digital version: Trigger Clip/Pin Cap. On Non-Digital Version: HVC Air Pressure Regulator.  
\*Please refer to the table on page 22 to see the full range of available combinations.

WS-400 Series 2 Clear Digital Spray Gun  
600 ml Gravity Cup - DPG-1 Module - Cleaning Brushes  
Universal Spanner - Trigger Clip/Pin Cap.

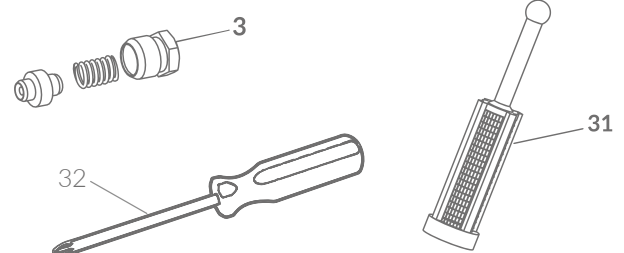
# SPARE PARTS



REF.	CODE	DESCRIPTION	€	REF.	CODE	DESCRIPTION	€
1	see table on left page	AIR CAP SET	131.80	16	93008890	TRIGGER	35.50
1-1	93009050	AIR CAP RING CLEAR (Grey)	60.70	17	93505860	TRIGGER STUD	7.70
1-2	93018310	AIR CAP PACKING SET (2 pcs.)	16.00	18	96612025	E STOPPER	3.10
2	see table on left page	FLUID NOZZLE + FLUID NEEDLE SET	146.70	19	930812A0	TORX SOCKET COUNTERSUNK HEAD SCREWS (3 pcs./1 pk.)	17.20
3	93810620	NEEDLE PACKING SET	35.70	21	140081A0	PC-G600P-2 GRAVITY CUP	67.90
5	93008420	PATTERN ADJ. SET	57.30	22	940222A0	LID	37.20
6	93009120	PATTERN ADJUSTMENT KNOB CLEAR (Grey)	25.20	23	940221A0	NON DRIP	2.00
7	93001640	AIR VALVE SEAT SET	37.50	24	930171A0	UNIVERSAL SPANNER	9.40
8	93001690	AIR VALVE	25.60	25	03506480K	TORX ALLEN KEY WRENCH T10 (3 pcs.)	6.30
9	93001700	AIR VALVE SPRING	14.50	26	W2COM6163	BRUSHES (5 pcs.)	13.20
10	93008840	FLUID ADJ. GUIDE SET	41.30	27	W2COM6162	TWISTED BRUSH Ø 10 mm (5 pcs.)	15.70
11	93002820	FLUID NEEDLE SPRING SET	23.00	28	930113A0	DIGITAL PRESSURE GAUGE DPG-1 (Includes BATTERY HOLDER and BATTERY Spares)	220.10
12	93505823	FLUID ADJ. SCREW	29.70	28-1	930325A0	DPG-1 BATTERY HOLDER	7.50
13	93009130	FLUID ADJUSTMENT KNOB CLEAR (Grey)	25.20	28-2	930083A0	DPG-1 BATTERY	10.30
14	93001790	AIR VALVE SHAFT	22.40	29	930357A0	TRIGGER CLIP	6.90
15	93008872	AIR ADJUSTMENT SET	60.70	30	930366A0	PROTECTIVE PIN CAP (5 pcs.)	5.20
				32	960024A0	SCREWDRIVER	4.70

## OPTION AND ACCESSORIES

REF.	CODE	DESCRIPTION	€
	930443A0	REPAIRING KIT Includes: air valve seat set (7), air valve (8), air valve spring (9), fluid needle spring set (11), air valve shaft (14), fluid adj. guide set (10), trigger stud (17), e stopper (18), needle packing set (3).	120.30
-	W2KIT55UK	CLEANING KIT	81.80
3	93001410	SELF ADJUSTING NEEDLE PACKING (Opt.)	41.60
31	94011240	FILTER 60 Mesh (250µ)	3.00



# WS-400 Series 2 CLEAR

## FEATURES



Split Nozzle™ 2.0  
Compliant Clear



Designed by  
Pininfarina



Lower  
Noise Level



Optimized  
Setting

**WS400**  
**SR2**



- The Anest Iwata WS-400 Series 2 CLEAR Superior range is perfectly placed for the application of clearcoats.
- Optimize setups available which cover a wide range application requirements, a variety of options available for different styles and speeds.
- HVC inline manometer is recommended and available for accurate performance and colour reproduction.

## TECHNICAL DATA

• HD (High Delivery) • Air Nipple: G1/4" • Fluid Nipple: G1/4"

setup	type	application speed	model name - non digital	cap	bar*	NI/min	mm**
HD SETUP	1.2 HD	CONTROL	WS-400-SR2-12HD	WS-400-03	2.0	370	245
	1.3 HD	STANDARD	WS-400-SR2-13HD				250
	1.4 HD	SPEED	WS-400-SR2-14HD				255
	1.5 HD	HIGH SPEED	WS-400-SR2-15HD				260

\*Suggested gun inlet pressure during spraying. \*\*Fan width at a Spray distance of 150 mm.

## ORDER INFORMATION

	HD SET UP				€
	1.2 HD	1.3 HD	1.4 HD	1.5 HD	
<b>WS-400 CLEAR</b>					
PRO SET	130615A0	130616A0	130617A0	130618A0	756.00
ECO SET	130261A0	130262A0	130263A0	130264A0	682.90
SUPERIOR SET	Please refer to the table on page 22 to see the full range of available combinations and pricing.				
<b>AIR CAP SET</b>	93009030				131.80
<b>FLUID NOZZLE &amp; NEEDLE</b>	93009140	93009060	93009160	93009180	146.70

## SET OPTIONS & CONTENTS

★★★  
**SUPERIOR SET\***



Two Series 2 Spray Guns - Two 600 ml Gravity Cup - Cleaning Brushes  
Universal Spanner. On Digital version: Trigger Clip/Pin Cap.  
On Non-Digital Version: HVC Air Pressure Regulator.

★★  
**PRO SET**



WS-400 Series 2 Clear Spray Gun  
600 ml Gravity Cup - HVC Air Pressure Regulator  
Cleaning Brushes - Universal Spanner.

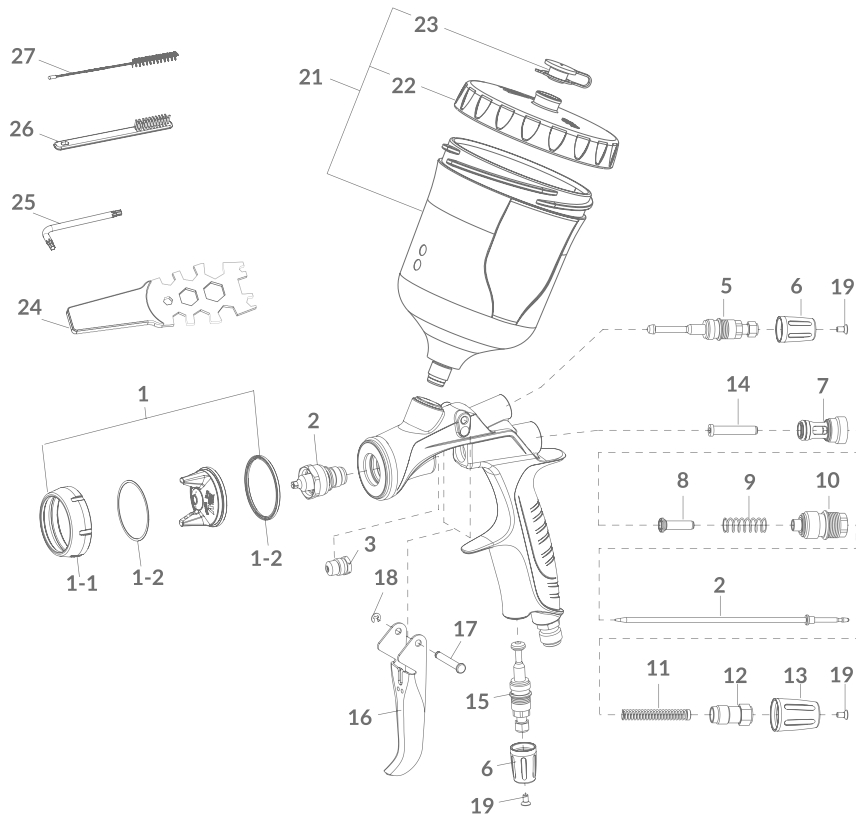
★  
**ECO SET**



WS-400 Series 2 Clear Spray Gun  
600 ml Gravity Cup  
Cleaning Brushes - Universal Spanner.

\*Please refer to the table on page 22 to see the full range of available combinations.

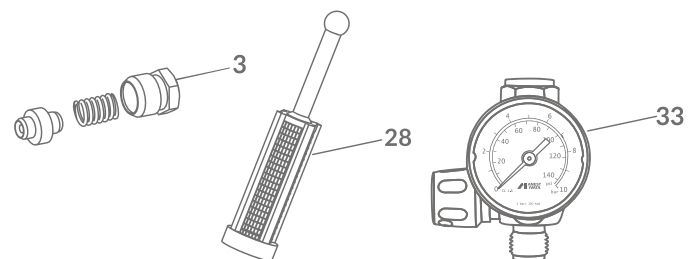
# SPARE PARTS



REF.	CODE	DESCRIPTION	€	REF.	CODE	DESCRIPTION	€
1	see table on left page	AIR CAP SET	131.80	14	93001790	AIR VALVE SHAFT	22.40
1-1	93009050	AIR CAP RING CLEAR (Grey)	60.70	15	93008872	AIR ADJUSTMENT SET	60.70
1-2	93018310	AIR CAP PACKING SET (2 pcs.)	16.00	16	93008890	TRIGGER	35.50
2	see table on left page	FLUID NOZZLE + FLUID NEEDLE SET	146.70	17	93505860	TRIGGER STUD	7.70
3	93810620	NEEDLE PACKING SET	35.70	18	96612025	E STOPPER	3.10
5	93008420	PATTERN ADJ. SET	57.30	19	930812A0	TORX SOCKET COUNTERSUNK HEAD SCREWS (3 pcs./1 pk.)	17.20
6	93009120	PATTERN ADJUSTMENT KNOB CLEAR (Grey)	25.20	21	140081A0	PC-G600P-2 GRAVITY CUP	67.90
7	93001640	AIR VALVE SEAT SET	37.50	22	940222A0	LID	37.20
8	93001690	AIR VALVE	25.60	23	940221A0	NON DRIP	2.00
9	93001700	AIR VALVE SPRING	14.50	24	930171A0	UNIVERSAL SPANNER	9.40
10	93008840	FLUID ADJ. GUIDE SET	41.30	25	03506480K	TORX ALLEN KEY WRENCH T10 (3 pcs.)	6.30
11	93002820	FLUID NEEDLE SPRING SET	23.00	26	W2COM6163	BRUSHES (5 pcs.)	13.20
12	93505823	FLUID ADJ. SCREW	29.70	27	W2COM6162	TWISTED BRUSH Ø 10 mm (5 pcs.)	15.70
13	93009130	FLUID ADJUSTMENT KNOB CLEAR (Grey)	25.20				

## OPTION AND ACCESSORIES

REF.	CODE	DESCRIPTION	€
	930443A0	REPAIRING KIT Includes: air valve seat set (7), air valve (8), air valve spring (9), fluid needle spring set (11), air valve shaft (14), fluid adj. guide set (10), trigger stud (17), e stopper (18), needle packing set (3).	120.30
-	W2KIT55UK	CLEANING KIT	81.80
3	93001410	SELF ADJUSTING NEEDLE PACKING (Opt.)	41.60
28	94011240	FILTER 60 Mesh (250µ)	3.00
33	150003A0	HVC AIR PRESSURE REGULATOR	77.80



# W-400 WBX CLASSIC PLUS - HIGH QUALITY

## FEATURES



High Quality VOC-Compliant Professional Spray Gun for Car Refinish Clearcoat applications. Equipped with the exclusive Split Nozzle™ Technology. Fine atomization.

## TECHNICAL DATA

• Air Nipple: G1/4" • Fluid nipple: M16 x 1.5mm

model name	ø mm	cap	bar*	ml/min	NI/min	mm (in)*
W-400 WBX-124G	1.2	WBX	2.0	150	370	360
W-400 WBX-134G	1.3			195		390
W-400 WBX-144G	1.4			200		390
W-400 WBX-164G	1.6			250		415

\*Suggested gun inlet pressure during spraying.



## ORDER INFORMATION

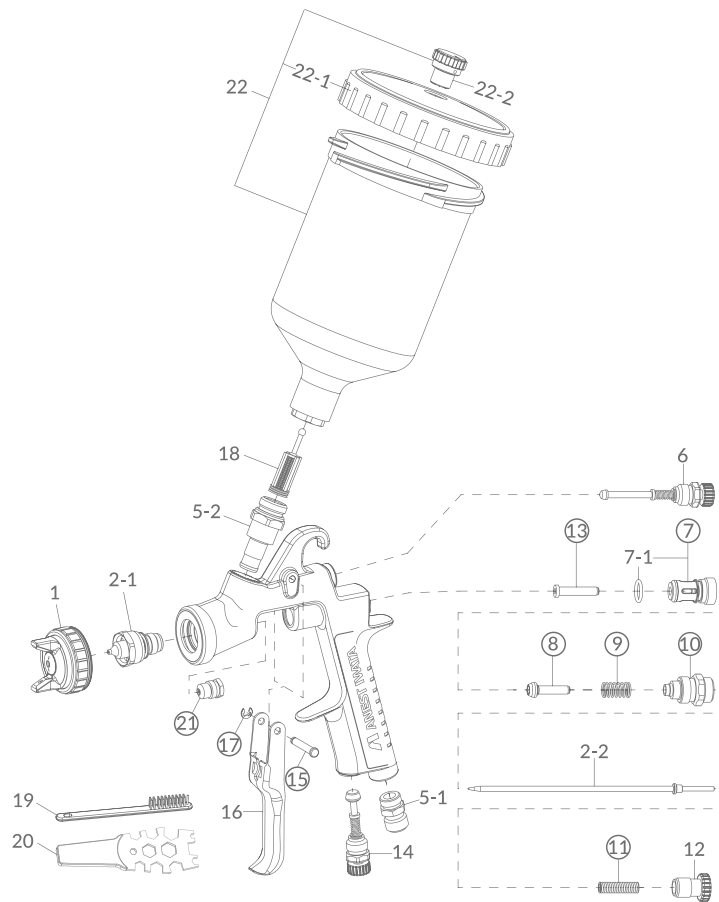
	ø 1,2	ø 1,3	ø 1,4	ø 1,6	€
W-400 WBX - PRO KIT (CARTON BOX)	13241422P	13241423P	13241424P	13241426P	492.70
AIR CAP SET (WBX)	93622630				113.10
FLUID NOZZLE & NEEDLE SET	93627610	93634610	93628610	93622620	151.80

## SET OPTIONS & CONTENTS

### PRO KIT CARTON BOX



W-400 WBX Spray Gun  
PCG 6 PE CUP - 600 ml  
Cleaning Brushes - Universal Spanner



REF.	CODE	DESCRIPTION	€	REF.	CODE	DESCRIPTION	€
1	see table on left page	AIR CAP SET	113.10	19	W2COM6163	BRUSHES (5 pcs./1 pk.)	13.20
2-1+ 2-2	see table on left page	FLUID NOZZLE + FLUID NEEDLE SET	151.80	20	930171A0	UNIVERSAL SPANNER	9.40
5-1	03660300	AIR NIPPLE	11.90	22	14011001	PCG-6-PE GRAVITY CUP 600 ml	63.70
5-2	93650531	FLUID NIPPLE	81.20	22-1	04002300	LID	11.10
6	93842601	PATTERN ADJ. SET	43.70	22-2	04003320	NON DRIP	2.40
7	03843530	AIR VALVE SEAT SET	30.00				
7-1	06638008	'O' RING	3.10				
8	03591530	AIR VALVE	20.60				
9	03719530	AIR VALVE SPRING	8.80				
10	93844532	FLUID ADJ. GUIDE SET	45.10				
11	03593530	FLUID NEEDLE SPRING	8.80				
12	93594532	FLUID ADJ. KNOB	18.10				
13	93935430	AIR VALVE SHAFT	16.30				
14	93845531	AIR ADJ. SET	45.50				
15	03667360	TRIGGER STUD	4.90				
16	03517600	TRIGGER	23.00				
17	03912030	E STOPPER (2 pcs./1 pk.)	4.80				
18	03515500	FILTER 60 Mesh (250µ) (5 pcs.)	2.40				
21	93810620	NEEDLE PACKING SET	35.70				

OPTION AND ACCESSORIES		
CODE	DESCRIPTION	€
03708240	AIR CAP PACKING (WHITE)	3.40
03512600	AIR CAP "L" PACKING (BLACK)	6.00
W2KIT55UK	CLEANING KIT	81.80
W2COM6190	REPAIRING KIT 2 (includes: air valve seat set, air valve, air valve spring, fluid needle spring, fluid adj. guide set, air valve shaft, trigger stud, e stopper, needle packing cartridge).	112.90

# WS-400 SERIES2 BASE - DIGITAL

## FEATURES



Split Nozzle™ 2.0  
Compliant Base



Designed by  
Pininfarina



Lower  
Noise Level



DPG-1  
Digital Pressure Gauge



Optimized  
Setting





- The Anest Iwata WS-400 Series 2 BASE superior range is ideal for wet on wet basecoat applications.
- Wide range of optimized nozzle configurations available for a variety of paint brands and different climates and conditions.
- Integrated quick detachable compact digital manometer DPG-1 system.
- Special black chrome body

## TECHNICAL DATA

• Air Nipple: G1/4" • Fluid Nipple: G1/4"

setup	type	description/climate	model name - digital	cap	bar**	Nl/min	mm***
OBS SETUP	1.3 OBS-0	HUMID	WS-400-SR2D-OBS-0	WS-400-02-OBS	2.0	370	255
	1.3 OBS	STANDARD*	WS-400-SR2D-OBS				255
	1.3 OBS+1	DRY	WS-400-SR2D-OBS+1				260
BF SETUP	BF-S	STANDARD*	WS-400-SR2D-BF-S	WS-400-03-BF			250
	BF-40	DRY	WS-400-SR2D-BF-40				390

• OBS series: for type A wet on wet application • BF series: for type B wet on wet application  
 \*Standard climate range: 15-30°C with a humidity of 30% - 75% RH \*\*Suggested gun inlet pressure during spraying. \*\*\*Fan width at a Spray distance of 150 mm.

## ORDER INFORMATION

	OBS SET UP			BF SET UP		€
	1.3 OBS-0	1.3 OBS	1.3 OBS+1	BF-S	BF-40	
<b>WS-400 BASE DIGITAL</b>						
PRO SET	130189A0	130190A0	130191A0	130250A0	130644A0	<b>850.80</b>
SUPERIOR SET	Please refer to the table on page 22 to see the full range of available combinations and pricing.					
<b>AIR CAP SET</b>		93008310		93018140		<b>131.80</b>
<b>FLUID NOZZLE &amp; NEEDLE</b>	93008930	93008340	93008990	93018150	93021390	<b>146.70</b>

## SET OPTIONS & CONTENTS

### ★★★ SUPERIOR SET\*

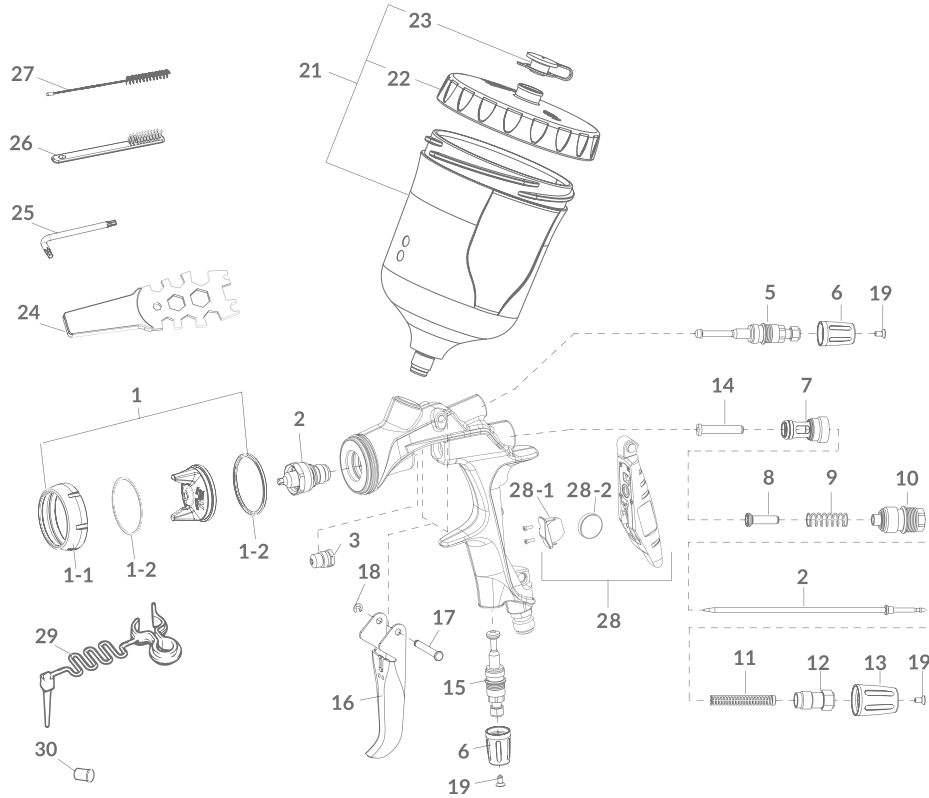


### ★★ PRO SET



Two Series 2 Spray Guns - Two 600 ml Gravity Cup - Cleaning Brushes - Universal Spanner.  
 On Digital version: Trigger Clip/Pin Cap. On Non-Digital Version: HVC Air Pressure Regulator.  
 \*Please refer to the table on page 22 to see the full range of available combinations.

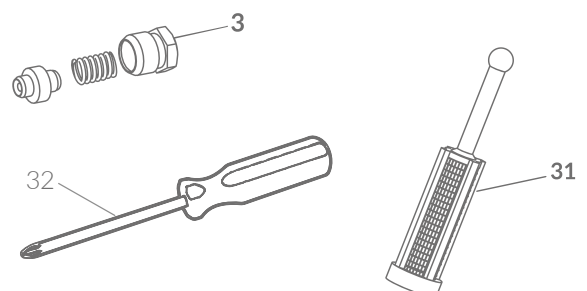
# SPARE PARTS



REF.	CODE	DESCRIPTION	€	REF.	CODE	DESCRIPTION	€
1	see table on left page	AIR CAP SET	131.80	16	93008890	TRIGGER	35,70
1-1	93008060	AIR CAP RING BASE (Blue)	60.70	17	93505860	TRIGGER STUD	7,20
1-2	93018310	AIR CAP PACKING SET (2 pcs.)	16.00	18	96612025	E STOPPER	3,20
2	see table on left page	FLUID NOZZLE + FLUID NEEDLE SET	146.70	19	930812A0	TORX SOCKET COUNTERSUNK HEAD SCREWS (3 pcs./1 pk.)	16,70
3	93810620	NEEDLE PACKING SET	35.70	21	140081A0	PC-G600P-2 GRAVITY CUP	69,00
5	93008420	PATTERN ADJ. SET	57.30	22	940222A0	LID	39,30
6	93008140	PATTERN ADJUSTMENT KNOB BASE (Blue)	25.20	23	940221A0	NON DRIP	2,40
7	93001640	AIR VALVE SEAT SET	37.50	24	930171A0	UNIVERSAL SPANNER	11,00
8	93001690	AIR VALVE	25.60	25	03506480K	TORX ALLEN KEY WRENCH T10 (3 pcs.)	7,20
9	93001700	AIR VALVE SPRING	14.50	26	W2COM6163	BRUSHES (5 pcs.)	14,10
10	93008840	FLUID ADJ. GUIDE SET	41.30	27	W2COM6162	TWISTED BRUSH Ø 10 mm (5 pcs.)	14,10
11	93002820	FLUID NEEDLE SPRING SET	23.00	28	930113A0	DIGITAL PRESSURE GAUGE DPG-1 (Includes BATTERY HOLDER and BATTERY Spares)	212,30
12	93505823	FLUID ADJ. SCREW	29.70	28-1	930325A0	DPG-1 BATTERY HOLDER	10,20
13	93008150	FLUID ADJUSTMENT KNOB BASE (Blue)	25.20	28-2	930083A0	DPG-1 BATTERY	10,20
14	93001790	AIR VALVE SHAFT	22.40	29	930357A0	TRIGGER CLIP	7,00
15	93008872	AIR ADJUSTMENT SET	60.70	30	930366A0	PROTECTIVE PIN CAP (5 pcs.)	5,20
				32	960024A0	SCREWDRIVER	5,20

## OPTION AND ACCESSORIES

REF.	CODE	DESCRIPTION	€
	930443A0	REPAIRING KIT Includes: air valve seat set (7), air valve (8), air valve spring (9), fluid needle spring set (11), air valve shaft (14), fluid adj. guide set (10), trigger stud (17), e stopper (18), needle packing set (3).	120.30
-	W2KIT55UK	CLEANING KIT	81.80
3	93001410	SELF ADJUSTING NEEDLE PACKING (Opt.)	41.60
31	94011240	FILTER 60 Mesh (250µ)	3.00



# WS-400 SERIES2 BASE

## FEATURES



Split Nozzle™ 2.0  
Compliant Base



Designed by  
Pininfarina



Lower  
Noise Level



Optimized  
Setting

**WS400**  
**SR2**



- The Anest Iwata WS-400 Series2 BASE superior range is ideal for wet on wet basecoat applications.
- Wide range of optimized nozzle configurations available for a variety of paint brands and different climates and conditions.
- HVC inline manometer is recommended and available for accurate performance and colour reproduction.

## TECHNICAL DATA

• Air Nipple: G1/4" • Fluid Nipple: G1/4"

setup	type	description/climate	model name - non digital	cap	bar**	NI/min	mm***
OBS SETUP	1.3 OBS-0	HUMID	WS-400-SR2-OBS-0	WS-400-02-OBS	2.0	370	255
	1.3 OBS	STANDARD*	WS-400-SR2-OBS				255
	1.3 OBS+1	DRY	WS-400-SR2-OBS+1				260
BF SETUP	BF-S	STANDARD*	WS-400-SR2-BF-S	WS-400-03-BF			250
	BF-40	DRY	WS-400-SR2-BF-40				390

• OBS series: for type A wet on wet application • BF series: for type B wet on wet application  
 \*Standard climate range: 15-30°C with a humidity of 30% - 75% RH \*\*Suggested gun inlet pressure during spraying. \*\*\*Fan width at a Spray distance of 150 mm.

## ORDER INFORMATION

	OBS SET UP			BF SET UP		
	1.3 OBS-0	1.3 OBS	1.3 OBS+1	BF-S	BF-40	€

### WS-400 BASE

PRO SET	130611A0	130612A0	130613A0	130614A0	130643A0	756.00
ECO SET	130256A0	130257A0	130258A0	130259A0	130260A0	682.90
SUPERIOR SET	Please refer to the table on page 22 to see the full range of available combinations and pricing.					

AIR CAP SET	93008310			93018140		131.80
FLUID NOZZLE & NEEDLE	93008930	93008340	93008990	93018150	93021390	146.70

## SET OPTIONS & CONTENTS

★★★  
**SUPERIOR SET\***



Two Series 2 Spray Guns - Two 600 ml Gravity Cup - Cleaning Brushes  
 Universal Spanner. On Digital version: Trigger Clip/Pin Cap.  
 On Non-Digital Version: HVC Air Pressure Regulator.

★★  
**PRO SET**



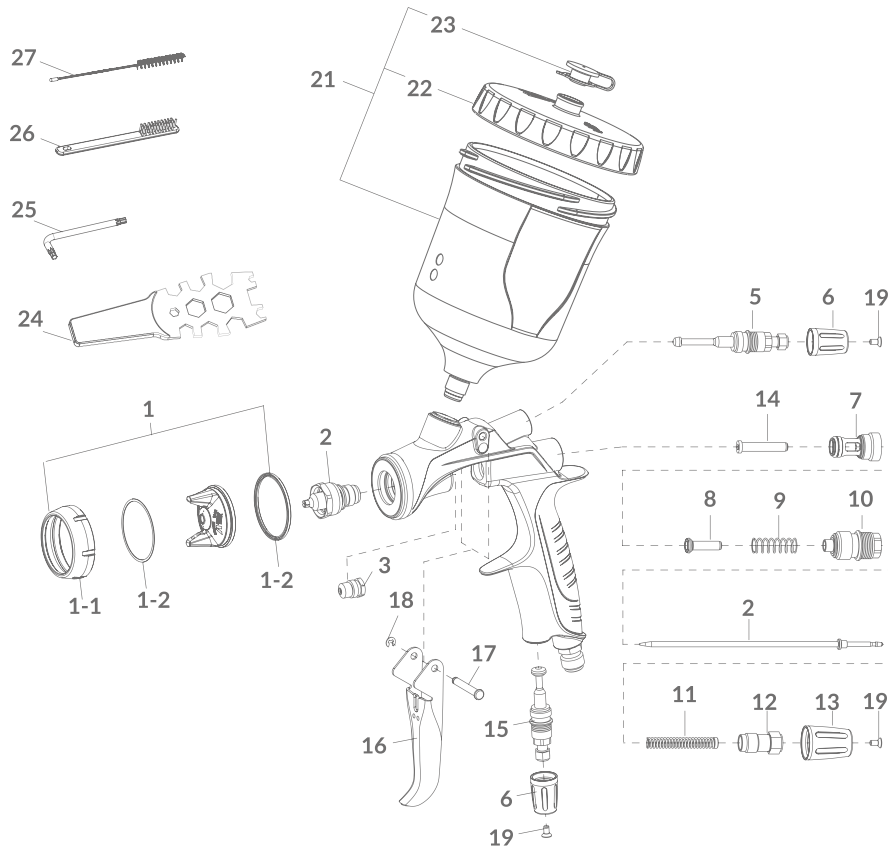
WS-400 Series 2 Base Spray Gun  
 600 ml Gravity Cup - HVC Air Pressure Regulator  
 Cleaning Brushes - Universal Spanner.

★  
**ECO SET**



WS-400 Series 2 Base Spray Gun  
 600 ml Gravity Cup  
 Cleaning Brushes - Universal Spanner.

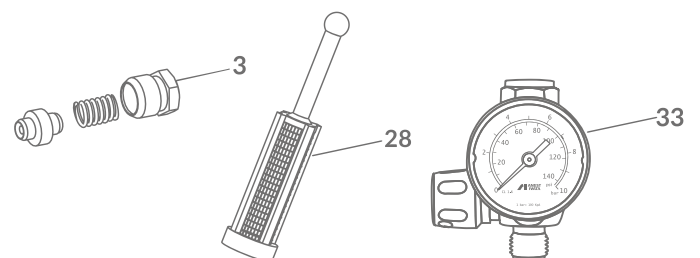
# SPARE PARTS



REF.	CODE	DESCRIPTION	€	REF.	CODE	DESCRIPTION	€
1	see table on left page	AIR CAP SET	131.80	14	93001790	AIR VALVE SHAFT	22.40
1-1	93008060	AIR CAP RING BASE (Blue)	60.70	15	93008872	AIR ADJUSTMENT SET	60.70
1-2	93018310	AIR CAP PACKING SET (2 pcs.)	16.00	16	93008890	TRIGGER	35.50
2	see table on left page	FLUID NOZZLE + FLUID NEEDLE SET	146.70	17	93505860	TRIGGER STUD	7.70
3	93810620	NEEDLE PACKING SET	35.70	18	96612025	E STOPPER	3.10
5	93008420	PATTERN ADJ. SET	57.30	19	930812A0	TORX SOCKET COUNTERSUNK HEAD SCREWS (3 pcs./1 pk.)	17.20
6	93008140	PATTERN ADJUSTMENT KNOB BASE (Blue)	25.20	21	140081A0	PC-G600P-2 GRAVITY CUP	67.90
7	93001640	AIR VALVE SEAT SET	37.50	22	940222A0	LID	37.20
8	93001690	AIR VALVE	25.60	23	940221A0	NON DRIP	2.00
9	93001700	AIR VALVE SPRING	14.50	24	930171A0	UNIVERSAL SPANNER	9.40
10	93008840	FLUID ADJ. GUIDE SET	41.30	25	03506480K	TORX ALLEN KEY WRENCH T10 (3 pcs.)	6.30
11	93002820	FLUID NEEDLE SPRING SET	23.00	26	W2COM6163	BRUSHES (5 pcs.)	13.20
12	93505823	FLUID ADJ. SCREW	29.70	27	W2COM6162	TWISTED BRUSH Ø 10 mm (5 pcs.)	15.70
13	93008150	FLUID ADJUSTMENT KNOB BASE (Blue)	25.20				

## OPTION AND ACCESSORIES

REF.	CODE	DESCRIPTION	€
	930443A0	REPAIRING KIT Includes: air valve seat set (7), air valve (8), air valve spring (9), fluid needle spring set (11), air valve shaft (14), fluid adj. guide set (10), trigger stud (17), e stopper (18), needle packing set (3).	120.30
-	W2KIT55UK	CLEANING KIT	81.80
3	93001410	SELF ADJUSTING NEEDLE PACKING (Opt.)	41.60
28	94011240	FILTER 60 Mesh (250µ)	3.00
33	150003A0	HVC AIR PRESSURE REGULATOR	77.80



# LS-400 SERIES2 BASE - DIGITAL

## FEATURES

- 

Split Nozzle™ 2.0  
HVLP Base
- 

Designed by  
Pininfarina
- 

Lower  
Noise Level
- 

DPG-1  
Digital Pressure Gauge
- 

Optimized  
Setting

**LS400**  
**SR2**



- The Anest Iwata LS-400 Series 2 Base superior range is ideal for a wide range of basecoat applications.
- Wide range of optimized nozzle configurations available for a variety of paint brands and different climates and conditions.
- Integrated quick detachable compact DPG-1 digital manometer system.
- Special black chrome body

## TECHNICAL DATA

• Air Nipple: G1/4" • Fluid Nipple: G1/4"

setup	type	application speed	model name - digital	cap	bar*	NI/min	mm**
ET SETUP STANDARD	1.2 ET	CONTROL	LS-400-SR2D-1206	LS-400-06	1.8	400	230
	1.3 ET	STANDARD	LS-400-SR2D-1306				235
	1.4 ET	SPEED	LS-400-SR2D-1406				240
	1.5 ET	HIGH SPEED	LS-400-SR2D-1506				245
ETS SETUP DRY	1.2 ETS	CONTROL	LS-400-SR2D-12S06			420	200
	1.3 ETS	STANDARD	LS-400-SR2D-13S06				205
	1.4 ETS	SPEED	LS-400-SR2D-14S06				210
	1.5 ETS	HIGH SPEED	LS-400-SR2D-15S06				215

• ET series: for standard climate application • ETS series: for dry climate application  
\*Suggested gun inlet pressure during spraying. \*\*Fan width at a Spray distance of 150 mm.

## ORDER INFORMATION

	ET SET UP				ETS SET UP				€
	1.2 ET	1.3 ET	1.4 ET	1.5 ET	1.2 ETS	1.3 ETS	1.4 ETS	1.5 ETS	
<b>LS-400 BASE DIGITAL</b>									
PRO SET	130213A0	130214A0	130215A0	130216A0	130217A0	130218A0	130219A0	130220A0	<b>861.10</b>
SUPERIOR SET	Please refer to the table on page 22 to see the full range of available combinations and pricing.								
<b>AIR CAP SET</b>	93008030								<b>131.80</b>
<b>FLUID NOZZLE &amp; NEEDLE</b>	93008160	93008070	93008180	93008200	93008230	93008250	93008270	93008290	<b>146.70</b>

## SET OPTIONS & CONTENTS

### ★★★ SUPERIOR SET\*



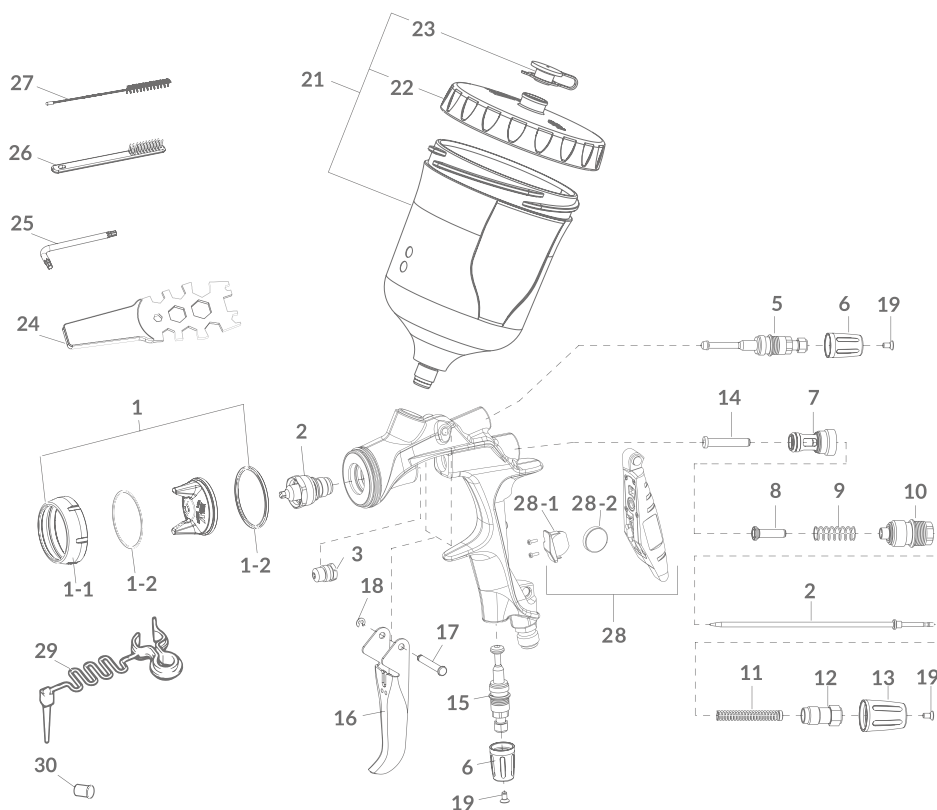
### ★★ PRO SET



Two Series 2 Spray Guns - Two 600 ml Gravity Cup - Cleaning Brushes - Universal Spanner.  
On Digital version: Trigger Clip/Pin Cap. On Non-Digital Version: HVC Air Pressure Regulator.  
\*Please refer to the table on page 22 to see the full range of available combinations.

LS-400 Series 2 Base Digital Spray Gun  
600 ml Gravity Cup - DPG-1 Module - Cleaning Brushes  
Universal Spanner - Trigger Clip/Pin Cap.

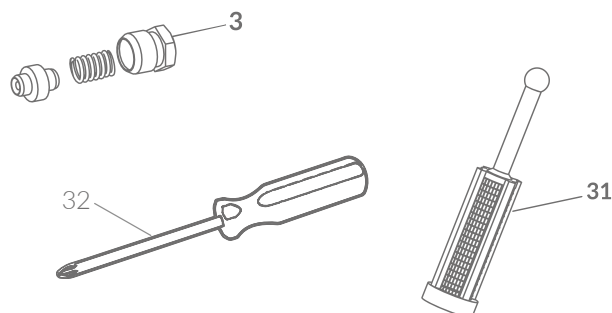
# SPARE PARTS



REF.	CODE	DESCRIPTION	€	REF.	CODE	DESCRIPTION	€
1	see table on left page	AIR CAP SET	131.80	16	93008890	TRIGGER	35.50
1-1	93008330	AIR CAP RING LS (Green)	60.70	17	93505860	TRIGGER STUD	7.70
1-2	93018310	AIR CAP PACKING SET (2 pcs.)	16.00	18	96612025	E STOPPER	3.10
2	see table on left page	FLUID NOZZLE + FLUID NEEDLE SET	146.70	19	930812A0	TORX SOCKET COUNTERSUNK HEAD SCREWS (3 pcs./1 pk.)	17.20
3	93810620	NEEDLE PACKING SET	35.70	21	140081A0	PC-G600P-2 GRAVITY CUP 600 ml	67.90
5	93008420	PATTERN ADJ. SET	57.30	22	940222A0	LID	37.20
6	93008820	PATTERN ADJUSTMENT KNOB LS (Green)	25.20	23	940221A0	NON DRIP	2.00
7	93001640	AIR VALVE SEAT SET	37.50	24	930171A0	UNIVERSAL SPANNER	9.40
8	93001690	AIR VALVE	25.60	25	03506480K	TORX ALLEN KEY WRENCH T10 (3 pcs.)	6.30
9	93001700	AIR VALVE SPRING	14.50	26	W2COM6163	BRUSHES (5 pcs.)	13.20
10	93008840	FLUID ADJ. GUIDE SET	41.30	27	W2COM6162	TWISTED BRUSH Ø 10 mm (5 pcs.)	15.70
11	93002820	FLUID NEEDLE SPRING SET	23.00	28	930113A0	DIGITAL PRESSURE GAUGE DPG-1 (Includes BATTERY HOLDER and BATTERY Spares)	220.10
12	93505823	FLUID ADJ. SCREW	29.70	28-1	930325A0	DPG-1 BATTERY HOLDER	7.50
13	93008860	FLUID ADJUSTMENT KNOB LS (Green)	25.20	28-2	930083A0	DPG-1 BATTERY	10.30
14	93001790	AIR VALVE SHAFT	22.40	29	930357A0	TRIGGER CLIP	6.90
15	93008872	AIR ADJUSTMENT SET	60.70	30	930366A0	PROTECTIVE PIN CAP (5 pcs.)	5.20
				32	960024A0	SCREWDRIVER (DPG-1 Battery)	4.70

## OPTION AND ACCESSORIES

REF.	CODE	DESCRIPTION	€
		REPAIRING KIT Includes: air valve seat set (7), air valve (8), air valve spring (9), fluid needle spring set (11), air valve shaft (14), fluid adj. guide set (10), trigger stud (17), e stopper (18), needle packing set (3).	120.30
-	W2KIT55UK	CLEANING KIT	81.80
3	93001410	SELF ADJUSTING NEEDLE PACKING (Opt.)	41.60
31	94011240	FILTER 60 Mesh (250µ)	3.00



# LS-400 SERIES2 BASE

## FEATURES



Split Nozzle™ 2.0  
HVLP Base



Designed by  
Pininfarina



Lower  
Noise Level



Optimized  
Setting

# LS400 SR2



- The Anest Iwata LS-400 Series 2 BASE superior range is ideal for a wide range of basecoat applications.
- Wide range of optimized nozzle configurations available for a variety of paint brands and different climates and conditions.
- HVC inline manometer is recommended and available for accurate performance and colour reproduction.

## TECHNICAL DATA

• Air Nipple: G1/4" • Fluid Nipple: G1/4"

setup	type	application speed	model name - non digital	cap	bar*	NI/min	mm**
ET SETUP STANDARD	1.2 ET	CONTROL	LS-400-SR2-1206	LS-400-06	1.8	400	230
	1.3 ET	STANDARD	LS-400-SR2-1306				235
	1.4 ET	SPEED	LS-400-SR2-1406				240
	1.5 ET	HIGH SPEED	LS-400-SR2-1506				245
ETS SETUP DRY	1.2 ETS	CONTROL	LS-400-SR2-12S06			420	200
	1.3 ETS	STANDARD	LS-400-SR2-13S06				205
	1.4 ETS	SPEED	LS-400-SR2-14S06				210
	1.5 ETS	HIGH SPEED	LS-400-SR2-15S06				215

• ET series: for standard climate application • ETS series: for dry climate application  
\*Suggested gun inlet pressure during spraying. \*\*Fan width at a Spray distance of 150 mm.

## ORDER INFORMATION

	ET SET UP				ETS SET UP				€
	1.2 ET	1.3 ET	1.4 ET	1.5 ET	1.2 ETS	1.3 ETS	1.4 ETS	1.5 ETS	
<b>LS-400 BASE</b>									
PRO SET	130619A0	130620A0	130621A0	130622A0	130623A0	130624A0	130625A0	130626A0	<b>766.30</b>
ECO SET	130265A0	130266A0	130267A0	130268A0	130269A0	130270A0	130271A0	130272A0	<b>693.20</b>
SUPERIOR SET	Please refer to the table on page 22 to see the full range of available combinations and pricing.								
<b>AIR CAP SET</b>	93008030								<b>131.80</b>
<b>FLUID NOZZLE &amp; NEEDLE</b>	93008160	93008070	93008180	93008200	93008230	93008250	93008270	93008290	<b>146.70</b>

## SET OPTIONS & CONTENTS

★★★  
**SUPERIOR SET\***



Two Series 2 Spray Guns - Two 600 ml Gravity Cup - Cleaning Brushes  
Universal Spanner. On Digital version: Trigger Clip/Pin Cap.  
On Non-Digital Version: HVC Air Pressure Regulator.

★★  
**PRO SET**



LS-400 Series 2 Base Spray Gun  
600 ml Gravity Cup - HVC Air Pressure Regulator  
Cleaning Brushes - Universal Spanner.

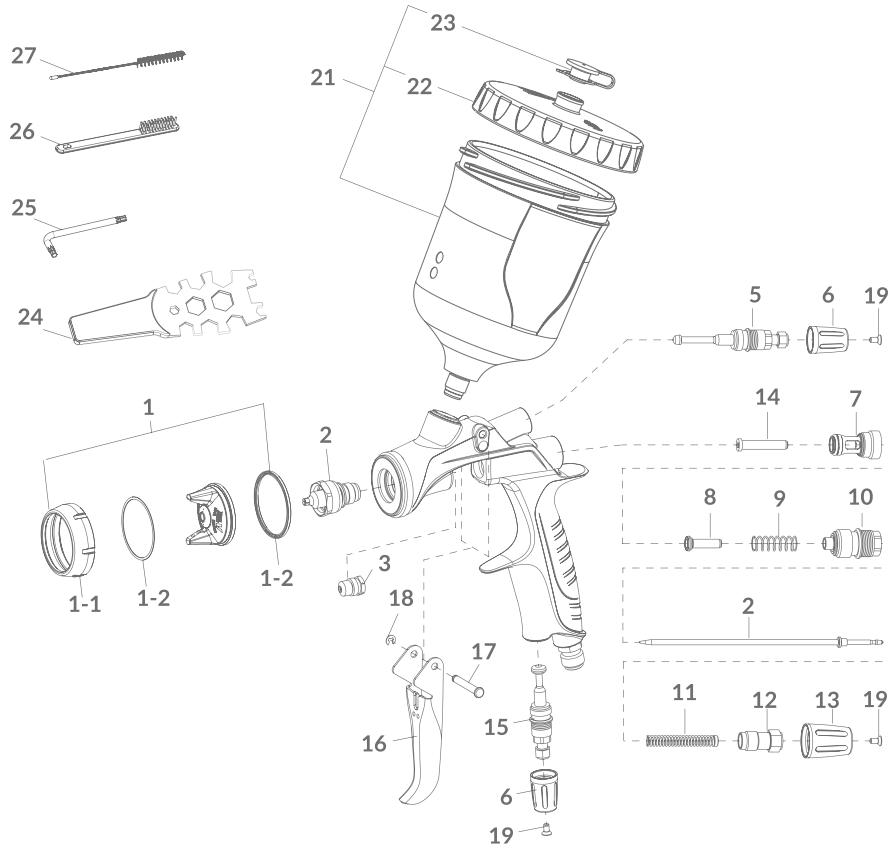
★  
**ECO SET**



LS-400 Series 2 Base Spray Gun  
600 ml Gravity Cup  
Cleaning Brushes - Universal Spanner.

\*Please refer to the table on page 22 to see the full range of available combinations.

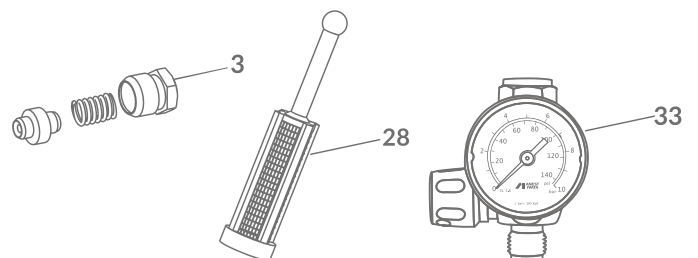
# SPARE PARTS



REF.	CODE	DESCRIPTION	€	REF.	CODE	DESCRIPTION	€
1	see table on left page	AIR CAP SET	131.80	14	93001790	AIR VALVE SHAFT	22.40
1-1	93008330	AIR CAP RING LS (Green)	60.70	15	93008872	AIR ADJUSTMENT SET	60.70
1-2	93018310	AIR CAP PACKING SET (2 pcs.)	16.00	16	93008890	TRIGGER	35.50
2	see table on left page	FLUID NOZZLE + FLUID NEEDLE SET	146.70	17	93505860	TRIGGER STUD	7.70
3	93810620	NEEDLE PACKING SET	35.70	18	96612025	E STOPPER	3.10
5	93008420	PATTERN ADJ. SET	57.30	19	930812A0	TORX SOCKET COUNTERSUNK HEAD SCREWS (3 pcs./1 pk.)	17.20
6	93008820	PATTERN ADJUSTMENT KNOB LS (Green)	25.20	21	140081A0	PC-G600P-2 GRAVITY CUP	67.90
7	93001640	AIR VALVE SEAT SET	37.50	22	940222A0	LID	37.20
8	93001690	AIR VALVE	25.60	23	940221A0	NON DRIP	2.00
9	93001700	AIR VALVE SPRING	14.50	24	930171A0	UNIVERSAL SPANNER	9.40
10	93008840	FLUID ADJ. GUIDE SET	41.30	25	03506480K	TORX ALLEN KEY WRENCH T10 (3 pcs.)	6.30
11	93002820	FLUID NEEDLE SPRING SET	23.00	26	W2COM6163	BRUSHES (5 pcs.)	13.20
12	93505823	FLUID ADJ. SCREW	29.70	27	W2COM6162	TWISTED BRUSH Ø 10 mm (5 pcs.)	15.70
13	93008860	FLUID ADJUSTMENT KNOB LS (Green)	25.20				

## OPTION AND ACCESSORIES

REF.	CODE	DESCRIPTION	€
	930443A0	REPAIRING KIT Includes: air valve seat set (7), air valve (8), air valve spring (9), fluid needle spring set (11), air valve shaft (14), fluid adj. guide set (10), trigger stud (17), e stopper (18), needle packing set (3).	120.30
-	W2KIT55UK	CLEANING KIT	81.80
3	93001410	SELF ADJUSTING NEEDLE PACKING (Opt.)	41.60
28	94011240	FILTER 60 Mesh (250µ)	3.00
33	150003A0	HVC AIR PRESSURE REGULATOR	77.80



# WS/LS-400 SERIES2 - SUPERIOR SET

The Superior Set is any spray painter's ultimate toolset. It contains two fully-equipped sets of the Series 2 spray guns. Choose your desired combination from our wide range of digital spray guns, which include the DPG-1 module, or standard spray guns, which include the HVC-1 controller. These sets include everything you need and come in a high-quality case, so you can safely carry your tools with you wherever you go.

## PICK YOUR CLEARCOAT GUN

PICK YOUR BASECOAT GUN

		WS-400 1.2 HD		WS-400 1.3 HD	
		STANDARD	DIGITAL	STANDARD	DIGITAL
WS-400 BASE 1.3 OBS	STANDARD	130283A0SS	130283A0SD	130284A0SS	130284A0SD
	DIGITAL	130283A0DS	130283A0DD	130284A0DS	130284A0DD
WS-400 BASE 1.3 OBS-0	STANDARD	130274A0SS	130274A0SD	130275A0SS	130275A0SD
	DIGITAL	130274A0DS	130274A0DD	130275A0DS	130275A0DD
WS-400 BASE 1.3 OBS+1	STANDARD	130291A0SS	130291A0SD	130292A0SS	130292A0SD
	DIGITAL	130291A0DS	130291A0DD	130292A0DS	130292A0DD
WS-400 BASE BF-S	STANDARD	130300A0SS	130300A0SD	130301A0SS	130301A0SD
	DIGITAL	130300A0DS	130300A0DD	130301A0DS	130301A0DD
WS-400 BASE BF-40	STANDARD	130312A0SS	130312A0SD	130313A0SS	130313A0SD
	DIGITAL	130312A0DS	130312A0DD	130313A0DS	130313A0DD
LS-400 BASE 1.2 ET	STANDARD	130327A0SS	130327A0SD	130337A0SS	130337A0SD
	DIGITAL	130327A0DS	130327A0DD	130337A0DS	130337A0DD
LS-400 BASE 1.3 ET	STANDARD	130328A0SS	130328A0SD	130338A0SS	130338A0SD
	DIGITAL	130328A0DS	130328A0DD	130338A0DS	130338A0DD
LS-400 BASE 1.4 ET	STANDARD	130329A0SS	130329A0SD	130339A0SS	130339A0SD
	DIGITAL	130329A0DS	130329A0DD	130339A0DS	130339A0DD
LS-400 BASE 1.5 ET	STANDARD	130330A0SS	130330A0SD	130340A0SS	130340A0SD
	DIGITAL	130330A0DS	130330A0DD	130340A0DS	130340A0DD
LS-400 BASE 1.2 ETS	STANDARD	130331A0SS	130331A0SD	130341A0SS	130341A0SD
	DIGITAL	130331A0DS	130331A0DD	130341A0DS	130341A0DD
LS-400 BASE 1.3 ETS	STANDARD	130332A0SS	130332A0SD	130342A0SS	130342A0SD
	DIGITAL	130332A0DS	130332A0DD	130342A0DS	130342A0DD
LS-400 BASE 1.4 ETS	STANDARD	130333A0SS	130333A0SD	130343A0SS	130343A0SD
	DIGITAL	130333A0DS	130333A0DD	130343A0DS	130343A0DD
LS-400 BASE 1.5 ETS	STANDARD	130334A0SS	130334A0SD	130344A0SS	130344A0SD
	DIGITAL	130334A0DS	130334A0DD	130344A0DS	130344A0DD

# COMBINATION CHART



## ORDER INFORMATION

DIGITAL SPRAY GUN + DIGITAL SPRAY GUN	DIGITAL SPRAY GUN + NON DIGITAL SPRAY GUN	NON DIGITAL SPRAY GUN + NON DIGITAL SPRAY GUN
€ 1 764,40	€ 1 659,30	€ 1 481,10



## PICK YOUR CLEARCOAT GUN

WS-400 1.4 HD		WS-400 1.5 HD	
STANDARD	DIGITAL	STANDARD	DIGITAL
130285A0SS	130285A0SD	130286A0SS	130286A0SD
130285A0DS	130285A0DD	130286A0DS	130286A0DD
130276A0SS	130276A0SD	130277A0SS	130277A0SD
130276A0DS	130276A0DD	130277A0DS	130277A0DD
130293A0SS	130293A0SD	130294A0SS	130294A0SD
130293A0DS	130293A0DD	130294A0DS	130294A0DD
130302A0SS	130302A0SD	130303A0SS	130303A0SD
130302A0DS	130302A0DD	130303A0DS	130303A0DD
130314A0SS	130314A0SD	130315A0SS	130315A0SD
130314A0DS	130314A0DD	130315A0DS	130315A0DD
130346A0SS	130346A0SD	130354A0SS	130354A0SD
130346A0DS	130346A0DD	130354A0DS	130354A0DD
130347A0SS	130347A0SD	130355A0SS	130355A0SD
130347A0DS	130347A0DD	130355A0DS	130355A0DD
130348A0SS	130348A0SD	130356A0SS	130356A0SD
130348A0DS	130348A0DD	130356A0DS	130356A0DD
130349A0SS	130349A0SD	130357A0SS	130357A0SD
130349A0DS	130349A0DD	130357A0DS	130357A0DD
130350A0SS	130350A0SD	130358A0SS	130358A0SD
130350A0DS	130350A0DD	130358A0DS	130358A0DD
130351A0SS	130351A0SD	130359A0SS	130359A0SD
130351A0DS	130351A0DD	130359A0DS	130359A0DD
130352A0SS	130352A0SD	130360A0SS	130360A0SD
130352A0DS	130352A0DD	130360A0DS	130360A0DD
130353A0SS	130353A0SD	130361A0SS	130361A0SD
130353A0DS	130353A0DD	130361A0DS	130361A0DD



# W-400 WB1 & WB2 CLASSIC PLUS - HIGH QUALITY

## FEATURES



High Quality VOC-Compliant Professional Spray Gun for Car Refinish Basecoat applications. Equipped with the exclusive Split Nozzle™ Technology. Fine atomization. Special for water base paints.

## TECHNICAL DATA

• Air nipple: G1/4" • Fluid nipple: M16 x 1.5 mm

model name	ø mm	cap	bar*	ml/min	NI/min	mm (in)
W-400 WB-101G	1.0	WB1	1.8	90	230	230
W-400 WB-121G	1.2			120		260
W-400 WB-131G	1.3			140		280
W-400 WB-141G	1.4			WB2		390
W-400 WB-122G	1.2	160	300			
W-400 WB-132G	1.3	310				
W-400 WB-142G	1.4	340				
W-400 WB-162G	1.6			250		

\*Suggested gun inlet pressure during spraying.

## ORDER INFORMATION

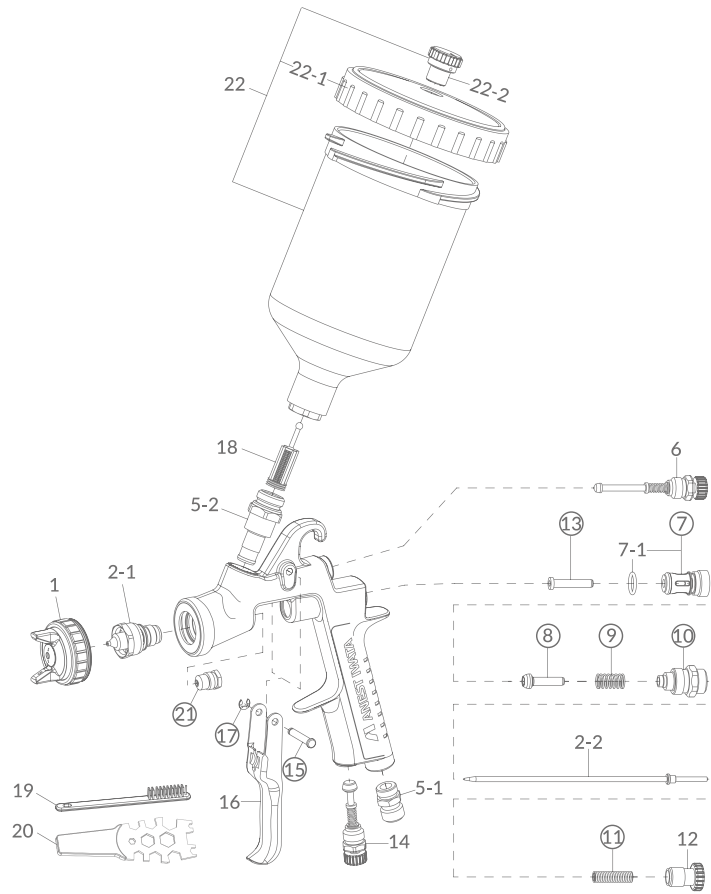
	ø 1,0	ø 1,2	ø 1,3	ø 1,4	ø 1,2	ø 1,3	ø 1,4	ø 1,6	€
W-400 WB1 - PRO KIT	13241411P	13241412P	13241413P	13241414P	-	-	-	-	492.70
W-400 WB2 - PRO KIT					13241415P	13241416P	13241417P	13241418P	492.70
<b>AIR CAP SET (WB1)</b>	93896610				-				113.10
<b>AIR CAP SET (WB2)</b>	-				93624620				113.10
<b>FLUID NOZZLE &amp; NEEDLE</b>	93626610	93627610	93634610	93628610	93627610	93634610	93628610	93622620	144.70

## SET OPTIONS & CONTENTS

### PRO KIT CARTON BOX



W-400 WB Spray Gun  
PCG 6 PE CUP - 600 ml  
Cleaning Brushes - Universal Spanner



REF.	CODE	DESCRIPTION	€
1	see table on left page	AIR CAP SET WB1	113,10
1	see table on left page	AIR CAP SET WB2	113,10
2-1+ 2-2	see table on left page	FLUID NOZZLE + FLUID NEEDLE SET	144,70
5-1	03660300	AIR NIPPLE	11,90
5-2	93650531	FLUID NIPPLE	81,20
6	93842601	PATTERN ADJ. SET	43,70
7	03843530	AIR VALVE SEAT SET	30,00
7-1	06638008	'O' RING	3,10
8	03591530	AIR VALVE	20,60
9	03719530	AIR VALVE SPRING	8,80
10	93844532	FLUID ADJ. GUIDE SET	45,10
11	03593530	FLUID NEEDLE SPRING	8,80
12	93594532	FLUID ADJ. KNOB	18,10
13	93935430	AIR VALVE SHAFT	16,30
14	93845531	AIR ADJ. SET	45,50
15	03667360	TRIGGER STUD	4,90
16	03517600	TRIGGER	23,00
17	03912030	E STOPPER (2 pcs./1 pk.)	4,80
18	03515500	FILTER 60 Mesh (250µ) (5 pcs.)	2,40
21	93810620	NEEDLE PACKING SET	35,70

REF.	CODE	DESCRIPTION	€
19	W2COM6163	BRUSHES (5 pcs./1 pk.)	13,20
20	930171A0	UNIVERSAL SPANNER	9,40
22	14011001	PCG-6-PE GRAVITY CUP 600 ml	63,70
22-1	04002300	LID	11,10
22-2	04003320	NON DRIP	2,40

### OPTION AND ACCESSORIES

CODE	DESCRIPTION	€
03708240	AIR CAP PACKING (WHITE)	3,40
03512600	AIR CAP "L" PACKING (BLACK)	6,00
W2KIT55UK	CLEANING KIT	81,80
W2COM6190	REPAIRING KIT 2 (includes: air valve seat set, air valve, air valve spring, fluid needle spring, fluid adj. guide set, air valve shaft, trigger stud, e stopper, needle packing cartridge).	112,90



# WS-PRIMER - WET on WET & FILLER

PREMIUM QUALITY

## FEATURES



Split Nozzle™  
Technology



High Transfer  
Efficiency



Optimized  
Setting



Ergonomic  
Design



Easy  
Maintenance



High  
Viscosity

*WS-primer*



Premium Quality Professional Spray Gun by Anest Iwata, exclusively dedicated to PRIMER application in the Bodywork sector!

Equipped with the exclusive Split Nozzle™ Pre-atomization Technology.

Available in two versions, perfectly optimized for the most important PRIMER applications!

### WET ON WET APPLICATION:

Even surface structure right from the start, less material build up and OEM-like finishes.

### FILLER APPLICATION:

Flat and even material laydown, low time effort for sanding, less abrasive consumption.

## TECHNICAL DATA

• Air Nipple: G1/4" • Fluid Nipple: G1/4"

Setup	model name	ø mm	cap	bar*	NI/min	mm (in)
WET on WET	WS-Primer-12 (Wet on Wet)	1.2	WS-PRIMER-01	2.0	370	150
	WS-Primer-13 (Wet on Wet)	1.3				180
	WS-Primer-14 (Wet on Wet)	1.4				190
FILLER	WS-Primer-14 (Filler)	1.4				190
	WS-Primer-16 (Filler)	1.6				210
	WS-Primer-18 (Filler)	1.8				235

WET on WET  
VERSION  
comes with  
BLUE KNOB!



## ORDER INFORMATION

ø 1.2

ø 1.3

ø 1.4

ø 1.6

ø 1.8

€

### WS-Primer

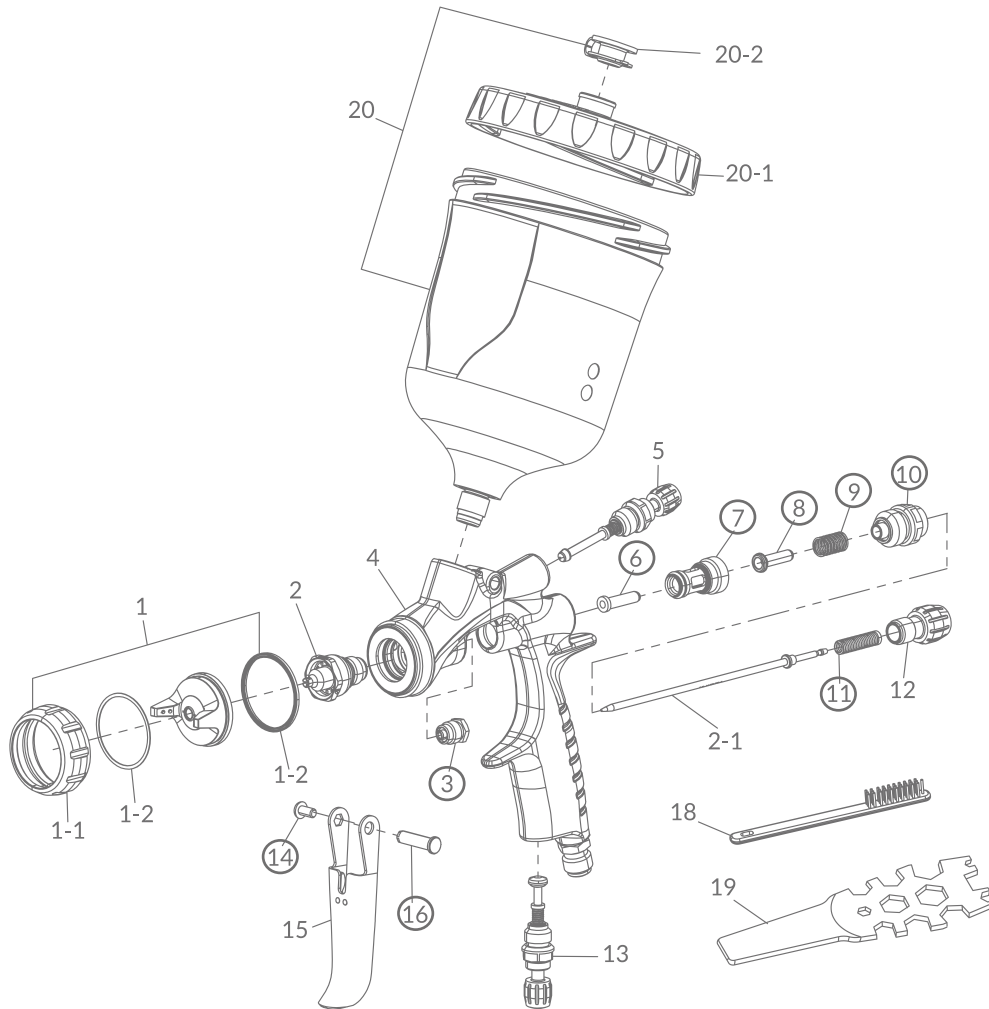
WS-Primer (Wet on Wet) with 600 ml CUP	130811A0	130812A0	130813A0	-	-	362.30
WS-Primer (Filler) with 600 ml CUP	-	-	130830A0	130815A0	130816A0	362.30
<b>AIR CAP SET WS-PRIMER-01</b>	930769A0					<b>115.50</b>
<b>NOZZLE &amp; NEEDLE SET WSP</b>	930772A0	930773A0	930774A0	930776A0	930777A0	<b>115.50</b>

## SET OPTIONS & CONTENTS

### CARTON BOX



WS-Primer Spray Gun  
PC-G600 P-2 CUP - 600 ml  
Cleaning Brushes - Universal Spanner



REF.	CODE	DESCRIPTION	€
1	see table on left page	AIR CAP SET WS-PRIMER-01	115.50
1-1	930508A0	AIR CAP RING WSP (Black)	52.50
1-2	93017700	AIR CAP PACKING SET (2 pcs./1 pk.)	11.90
2 + 2-1	see table on left page	NOZZLE NEEDLE SET WSP	115.50
3	93001410	SELF ADJUSTING NEEDLE PACKING	41.60
5	930685A0	PATTERN ADJUSTMENT SET WSP (black)	47.30
6	93001790	AIR VALVE SHAFT	22.40
7	930789A0	AIR VALVE SEAT SET V2	35.20
8	93001690	AIR VALVE	25.60
9	93001700	AIR VALVE SPRING	14.50
10	930700A0	FLUID ADJUSTMENT GUIDE SET WSP (black)	42.00
11	93002820	FLUID NEEDLE SPRING	23.00
12	930682A0	FLUID ADJUSTMENT KNOB WSP (Black)	15.80
12	930806A0	FLUID ADJUSTMENT KNOB WSP (Blue)	15.80
13	930684A0	AIR ADJUSTMENT SET WSP (Black)	42.00

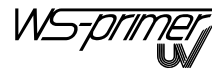
REF.	CODE	DESCRIPTION	€
14	960081A0	TRIGGER SCREW	4.90
15	930510A0	TRIGGER	28.40
16	93001870	TRIGGER STUD	9.40
18	W2COM6163	BRUSHES (5 pcs./1 pk.)	13.20
19	930171A0	UNIVERSAL SPANNER	9.40
20	140081A0	PC-G600P-2 GRAVITY CUP 600 ml	67.90
20-1	940222A0	LID	37.20
20-2	940221A0	NON DRIP	2.00

### OPTION AND ACCESSORIES

CODE	DESCRIPTION	€
W2KIT55UK	CLEANING KIT	81.80
93810620	NEEDLE PACKING SET (OPTIONAL)	35.70
930783A0	REPAIRING KIT WSP (includes: air valve seat set, air valve, air valve spring, fluid needle spring, air valve shaft, fluid adj. guide set, trigger stud, trigger screw, needle packing cartridge).	115.50
94011240	FILTER 60 Mesh (250µ)	3.00

# WS-PRIMER UV

PREMIUM QUALITY



## FEATURES

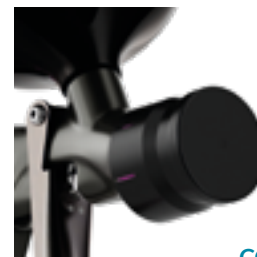
Split Nozzle™ Technology	High Transfer Efficiency	Optimized Setting	Ergonomic Design	Easy Maintenance	High Viscosity	For UV paint

The Anest Iwata WS-Primer UV professional spray gun, equipped with the exclusive Split Nozzle™ Pre-Atomization Technology, has been specifically designed for the application of fast-curing UV primers. Engineered to optimize the drying process of UV materials, it ensures virtually instant sanding. Its advanced technology enhances the efficiency of UV systems, delivering flawless finishes with significantly reduced processing times

## TECHNICAL DATA

• Air Nipple: G1/4" • Fluid Nipple: G1/4"

Setup	Model	ø mm	Air cap	bar*	NI/min	mm (in)
WS-Primer UV	WS-Primer UV-10	1.0	WS-Primer-UV	2.0	370	140
	WS-Primer UV-11	1.1				145
	WS-Primer UV-12	1.2				150



AIR CAP COVER UV

## ORDER INFORMATION

	ø 1.0	ø 1.1	ø 1.2	€
<b>WS-Primer UV</b>				
WS-Primer UV Spray Guns with PCG-2P-2-S1 200 ml CUP	130823A0	130824A0	130825A0	409.50
<b>AIR CAP SET WS-PRIMER UV</b>		930733A0		134.40
<b>FLUID NOZZLE &amp; FLUID NEEDLE SET</b>	930770A0	930771A0	930772A0	115.50

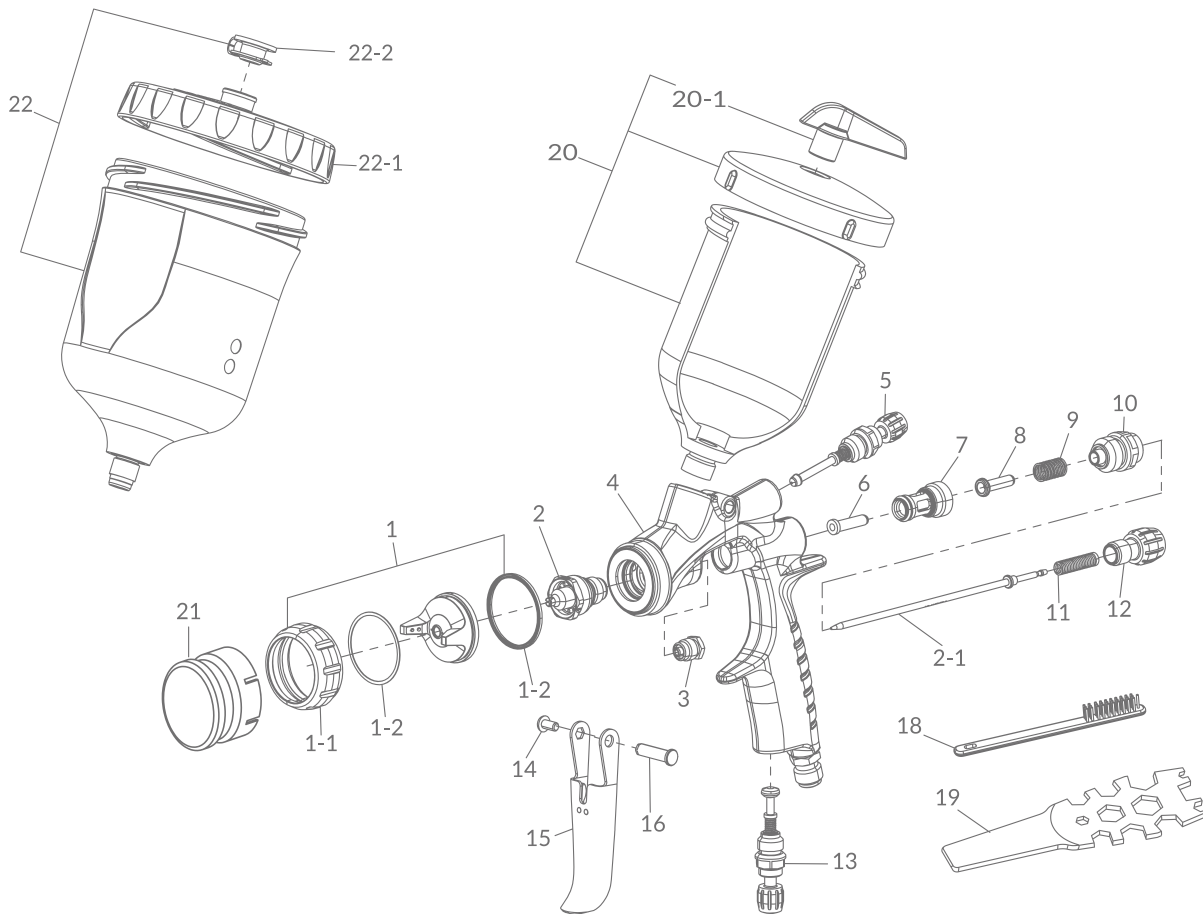
## SET OPTIONS & CONTENTS

CARTON BOX



WS-Primer UV Spray Gun  
PCG-2P-2-S1 CUP - 200 ml  
Cleaning Brushes - Universal Spanner

# SPARE PARTS



REF.	CODE	DESCRIPTION	€
1	see table on left page	AIR CAP SET WS-PRIMER-UV	134.40
1-1	930729A0	AIR CAP RING WSP (Purple)	64.90
1-2	93017700	AIR CAP PACKING SET (2 pcs./1 pk.)	11.90
2 + 2-1	see table on left page	FLUID NOZZLE + FLUID NEEDLE SET WSP	115.50
3	93001410	SELF ADJUSTING NEEDLE PACKING	41.60
5	930727A0	PATTERN ADJUSTMENT SET WSP UV (Purple)	53.50
6	93001790	AIR VALVE SHAFT	22.40
7	930789A0	AIR VALVE SEAT SET V2	35.20
8	93001690	AIR VALVE	25.60
9	93001700	AIR VALVE SPRING	14.50
10	930728A0	FLUID ADJUSTMENT GUIDE SET WSP UV (Purple)	48.70
11	93002820	FLUID NEEDLE SPRING	23.00
12	930725A0	FLUID ADJUSTMENT KNOB WSP UV (Purple)	21.40
13	930726A0	AIR ADJUSTMENT SET WSP UV (Purple)	48.70
14	960081A0	TRIGGER SCREW	4.90
15	930510A0	TRIGGER	28.40
16	93001870	TRIGGER STUD	9.40

REF.	CODE	DESCRIPTION	€
18	W2COM6163	BRUSHES (5 pcs./1 pk.)	13.20
19	930171A0	UNIVERSAL SPANNER	9.40
20	140025A0	PCG-2P-2-S1 GRAVITY BLACK CUP 200 ml	38.80
20-1	W2KIT07	NON DRIP SET (5 pcs./1 pk.)	7.20
21	930754A0	UV AIR CAP COVER	17.30
22	140082A0	PC-G600P-2 (OPTIONAL) GRAVITY BLACK CUP 600 ml	70.40
22-1	940226A0	LID for GRAVITY BLACK CUP 600 ml (OPTIONAL)	40.50
22-2	940225A0	NON DRIP for GRAVITY BLACK CUP 600 ml (OPTIONAL)	2.50

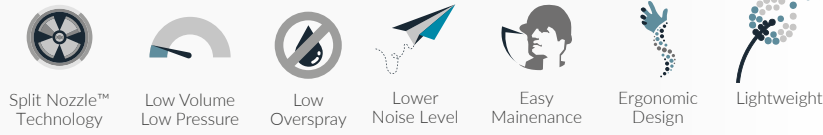
## OPTION AND ACCESSORIES

CODE	DESCRIPTION	€
W2KIT55UK	CLEANING KIT	81.80
93810620	NEEDLE PACKING SET (OPTIONAL)	35.70
930738A0	REPAIRING KIT WSP (includes: air valve seat set, air valve, air valve spring, fluid needle spring, air valve shaft, fluid adj. guide set, trigger stud, trigger screw, needle packing cartridge).	115.50
94011240	FILTER 60 Mesh (250µ)	3.00



# LPH-300 (LVLP) - PREMIUM QUALITY

## FEATURES



Professional Spray Gun for Car Refinish Primer-coat applications. Equipped with the exclusive Split Nozzle™ Technology. Very low overspray & air consumption, suitable for wet on wet applications.

## TECHNICAL DATA

• Air Nipple: G1/4" • Fluid Nipple: G1/4"

model name	ø mm	cap	bar*	ml/min	NI/min	mm (in)
LPH-300 - 104LV	1.0	LV4	1.3	50	240	200
LPH-300 - 124LV	1.2			70		210
LPH-300 - 144LV	1.4			90		250
LPH-300 - 164LV	1.6			110		230
LPH-300 - 184LV	1.8			130		
LPH-300 - 204LV	2.0			150		

\*Suggested gun inlet pressure during spraying.



## ORDER INFORMATION

	ø 1,0	ø 1,2	ø 1,4	ø 1,6	ø 1,8	ø 2,0	€
LPH-300 - PRO KIT (600 ml CUP)	13189063P	13189003P	13189034P	13189023P	13189033P	13189035P	<b>413.70</b>
LPH-300 - PRO KIT (200 ml CUP)	13189061P	13189001P	13189011P	13189021P	-	-	<b>394.20</b>
<b>AIR CAP SET (LV4)</b>	93875602						<b>139.60</b>
<b>FLUID NOZZLE &amp; NEEDLE SET</b>	93518650	93867600	93862600	93869600	93871600	93621600	<b>174.90</b>

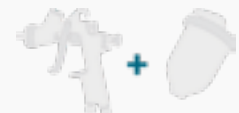
## SET OPTIONS & CONTENTS

### PRO KIT CARTON BOX - A



LPH-300 Spray Gun  
PC-G600P-2 CUP - 600 ml  
Cleaning Brushes - Universal Spanner

### PRO KIT CARTON BOX - B

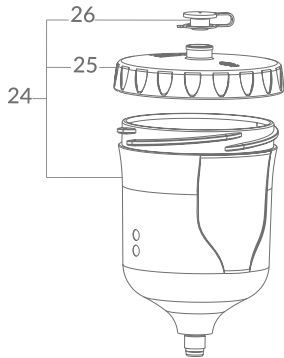


LPH-300 Spray Gun  
PCG 2P-2 CUP - 200 ml  
Cleaning Brushes - Universal Spanner

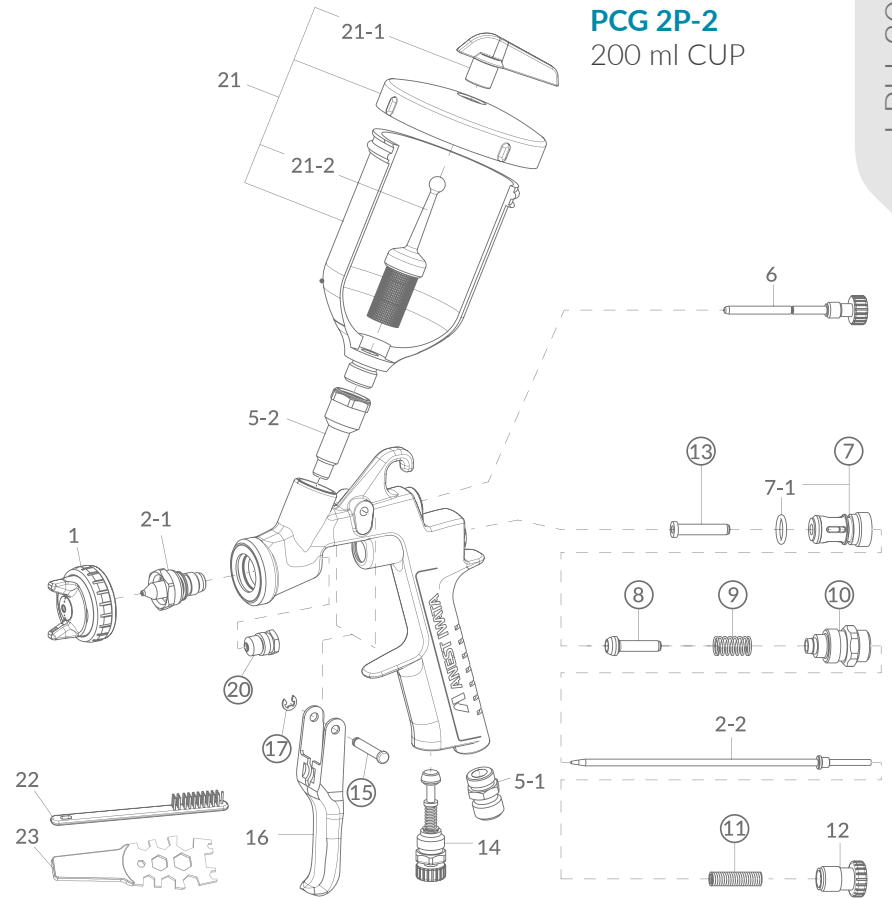
# SPARE PARTS



## PC-G600P-2 600 ml CUP



## PCG 2P-2 200 ml CUP



REF.	CODE	DESCRIPTION	€	REF.	CODE	DESCRIPTION	€
1	see table on left page	AIR CAP SET	139.60	21	W0CUPAZ40IN	PCG-2P-2 GRAVITY CUP 200 ml	43.20
2-1+ 2-2	see table on left page	FLUID NOZZLE + FLUID NEEDLE SET	174.90	21-1	W2KIT07	NON DRIP SET (5 pcs./1pk.)	7.20
5-1	03660300	AIR NIPPLE	11.90	21-2	W2KIT06	FILTER 50 Mesh (297µ) (5 pcs./1pk.)	23.40
5-2	03575620	FLUID NIPPLE	129.70	22	W2COM6163	BRUSHES (5 pcs./1 pk.)	13.20
6	03577620	PATTERN ADJ. SET	66.40	23	930171A0	UNIVERSAL SPANNER	9.40
7	03843530	AIR VALVE SEAT SET	30.00	24	140081A0	PC-G600P-2 GRAVITY CUP 600 ml	67.90
7-1	06638008	'O' RING	3.10	25	940222A0	LID (for 600 ml cup)	37.20
8	03591530	AIR VALVE	20.60	26	940221A0	NON DRIP (for 600 ml cup)	2.00
9	03719530	AIR VALVE SPRING	8.80				
10	93844532	FLUID ADJ. GUIDE SET	45.10				
11	03593530	FLUID NEEDLE SPRING	8.80				
12	93594532	FLUID ADJ. KNOB	18.10				
13	93935430	AIR VALVE SHAFT	16.30				
14	93845531	AIR ADJ. SET	45.50				
15	03667360	TRIGGER STUD	4.90				
16	03597530	TRIGGER	19.50				
17	03912030	E STOPPER (2 pcs./1 pk.)	4.80				
20	93810620	NEEDLE PACKING SET	35.70				

### OPTION AND ACCESSORIES

CODE	DESCRIPTION	€
03608320	AIR CAP PACKING (WHITE)	5.20
03576530	AIR CAP "L" PACKING (BLACK)	5.20
W2KIT55UK	CLEANING KIT	81.80
W2COM6190	REPAIRING KIT 2 (includes: air valve seat set, air valve, air valve spring, fluid needle spring, air valve shaft, fluid adj. guide set, trigger stud, e stopper, needle packing cartridge).	112.90
94011240	FILTER 60 Mesh (250µ)	3.00

# W-400 BELLARIA CLASSIC PLUS - HIGH QUALITY

## FEATURES



Standard Technology



High Transfer Efficiency



Lower Noise Level



Easy Maintenance



Ergonomic Design



Lightweight

**Classic**  
plus  
*BellAria*



High Quality VOC-Compliant Professional Spray Gun for Car Refinish Primer-coat applications. Maximum performance thanks to the Flat & Thin air caps Technology.

## TECHNICAL DATA

• Air nipple: G1/4" • Fluid nipple: M16 x 1.5 mm

model name	ø mm	cap	bar*	ml/min	NI/min	mm (in)
W-400-104G	1.0	BA4-1	2.0	130	250	200
W-400-124G	1.2			180		220
W-400-134G	1.3	BA4-2		220	270	280
W-400-144G	1.4			250		300
W-400-164G	1.6			285		330
W-400-184G	1.8			360		375
W-400-204G	2.0		375		390	

\*Suggested gun inlet pressure during spraying.

## ORDER INFORMATION

	ø 1,0	ø 1,2	ø 1,3	ø 1,4	ø 1,6	ø 1,8	ø 2,0	€
W-400 BELLARIA - PRO KIT	13328511P	13328512P	13328513P	13328514P	13328516P	13328518P	13328519P	426.40
AIR CAP SET (BA4-1)	93611700		-					113.10
AIR CAP SET (BA4-2)	-		93611710					113.10
FLUID NOZZLE & NEEDLE SET	93611720	93611730	93611740	93611750	93611760	93611770	93611780	115.80

## SET OPTIONS & CONTENTS

### PRO KIT CARTON BOX

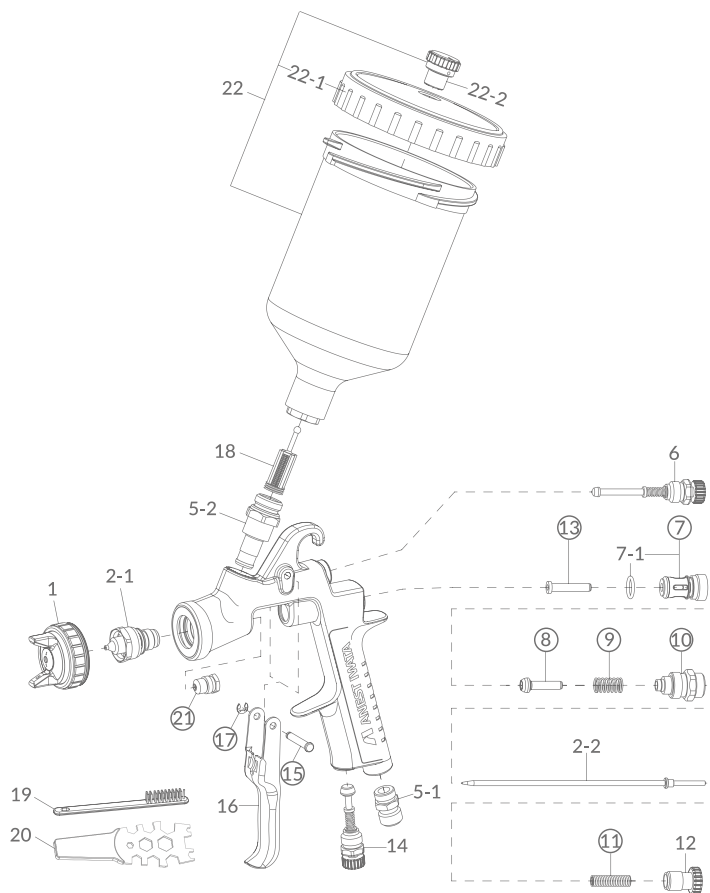


WS-400 Bellaria Spray Gun  
PCG 6 PE CUP - 600 ml  
Cleaning Brushes - Universal Spanner

# SPARE PARTS



**PCG-6 PE**  
GRAVITY CUP  
600 ml



REF.	CODE	DESCRIPTION	€
1	see table on left page	AIR CAP SET	113.10
2-1+ 2-2	see table on left page	FLUID NOZZLE + FLUID NEEDLE SET	115.80
5-1	03660300	AIR NIPPLE	11.90
5-2	93650531	FLUID NIPPLE	81.20
6	93611930	PATTERN ADJ. SET	48.70
7	03843530	AIR VALVE SEAT SET	30.00
7-1	06638008	'O' RING	3.10
8	03591530	AIR VALVE	20.60
9	03719530	AIR VALVE SPRING	8.80
10	93844532	FLUID ADJ. GUIDE SET	45.10
11	03593530	FLUID NEEDLE SPRING	8.80
12	93611900	FLUID ADJ. KNOB	18.10
13	93935430	AIR VALVE SHAFT	16.30
14	93611940	AIR ADJ. SET	45.50
15	03667360	TRIGGER STUD	4.90
16	03517600	TRIGGER	23.00
17	03912030	E STOPPER (2 pcs./1 pk.)	4.80
18	03515500	FILTER 60 Mesh (250µ) (5 pcs.)	2.40
21	93810620	NEEDLE PACKING SET	35.70

REF.	CODE	DESCRIPTION	€
19	W2COM6163	BRUSHES (5 pcs./1 pk.)	13.20
20	930171A0	UNIVERSAL SPANNER	9.40
22	14011001	PCG-6-PE GRAVITY CUP 600 ml	63.70
22-1	04002300	LID	11.10
22-2	04003320	NON DRIP	2.40

### OPTION AND ACCESSORIES

CODE	DESCRIPTION	€
03708240	AIR CAP PACKING (WHITE)	3.40
03512600	AIR CAP "L" PACKING (BLACK)	6.00
W2KIT55UK	CLEANING KIT	81.80
W2COM6190	REPAIRING KIT 2 (includes: air valve seat set, air valve, air valve spring, fluid needle spring, fluid adj. guide set, air valve shaft, trigger stud, e stopper, needle packing cartridge).	112.90



# AZ3 HTE-S IMPACT - STANDARD QUALITY

## FEATURES



Standard Technology



High Transfer Efficiency



Easy Maintenance



Reliable



Made in Italy

**Impact**  
AZ3 HTE-S

**BLACK VERSION**

**HTE**  
HIGH TRANSFER EFFICIENCY



**CHROMED VERSION**

Standard Quality Spray Gun for Car Refinish Primer-coat applications. Equipped with the HTE air caps Technology, which leads to guarantee maximum performance with homogeneous and fine atomization.

## TECHNICAL DATA

• Air Nipple: G1/4" • Fluid Nipple: G1/4"

model name	ø mm	cap	bar*	ml/min	NI/min	mm (in)
AZ3 HTE-S IMPACT	1.2	HTE-S1	2.5	250	375	190
	1.3			275		210
	1.4			290		230
	1.6	HTE-S2		300	362	250
	1.8			335		270
	2.0			375		270

\*Suggested gun inlet pressure during spraying.

## ORDER INFORMATION

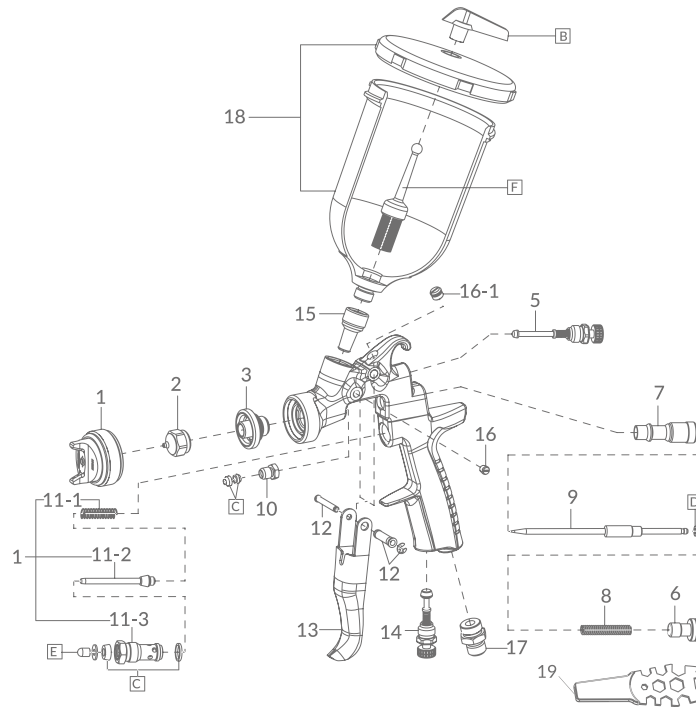
	ø 1,2	ø 1,3	ø 1,4	ø 1,6	ø 1,8	ø 2,0	€
AZ3 HTE-S IMPACT BLACK VERSION with 600 ml cup	W0SPG90AG12C	W0SPG90AG13C	W0SPG90AG14C	W0SPG90AG16C	W0SPG90AG18C	W0SPG90AG20C	206.90
AZ3 HTE-S IMPACT CHROME VERSION with 600 ml cup	W0SPG91AG12C	W0SPG91AG13C	W0SPG91AG14C	W0SPG91AG16C	W0SPG91AG18C	W0SPG91AG20C	206.90
<b>AIR CAP SET (HTE-S1)</b>	W2CAP90AG12			-			63.50
<b>AIR CAP SET (HTE-S2)</b>	-			W2CAP90AG16			64.90
<b>FLUID NOZZLE &amp; NEEDLE</b>	W2ADU90AG12	W2ADU90AG13	W2ADU90AG14	W2ADU90AG16	W2ADU90AG18	W2ADU90AG20	44.10

## SET OPTIONS & CONTENTS

### CARTON BOX



AZ3 HTE-S Impact Spray Gun  
PCG-6P-2 AZ CUP - 600 ml  
Universal Spanner



REF.	CODE	DESCRIPTION	€	REF.	CODE	DESCRIPTION	€
1	see table on left page	AIR CAP SET	63.50	D	W2KIT33	SLIDE RING SET (10 pcs./1 pk.)	12.30
2+9	see table on left page	FLUID NOZZLE + FLUID NEEDLE SET	44.10	E	W2KIT37	AIR VALVE SHAFT TIP SET (3 pcs./1 pk.)	5.00
3	W3COM3050	NOZZLE HOLDER	30.00	18	W0CUPAZ90	PCG-6P-2-AZ GRAVITY CUP 600 ml	45.50
5	93842601	PATTERN ADJ. SET	43.70	B	W2KIT07	NON DRIP SET (5 pcs./1 pk.)	7.20
6	W2COM6077	FLUID NEEDLE ADJ. KNOB	3.90	F	W2KIT06	FILTER SET 50 MESH (297µ) (5 pcs./1 pk.)	23.40
7	W2010140900	FLUID NEEDLE GUIDE	3.90	19	930171A0	UNIVERSAL SPANNER	9.40
8	W2010140800	FLUID NEEDLE SPRING	2.60				
10	W2010140600	FLUID NEEDLE PACKING NUT	2.80				
11	W2COM6080	AIR VALVE SET	12.00				
11-1	W2010141700	AIR VALVE SPRING	2.00				
11-2	W2010130600	AIR VALVE	3.30				
11-3	W2010130500	AIR VALVE SEAT	5.70				
12	W2COM4041	TRIGGER STUD	5.00				
13	W2COM6051	TRIGGER	6.90				
14	93845531	AIR ADJ. SET	45.50				
15	W3COM5038	THREADED BUSHING	15.85				
16	W2COM5004	SCREW	0.70				
16-1	W2COM6050	PLUG	2.00				
17	W2COM5039	AIR NIPPLE	5.00				
C	W2KIT56	PACKING SET (3 pcs./1 pk.)	5.70				

OPTION AND ACCESSORIES		
CODE	DESCRIPTION	€
W2KIT55UK	CLEANING KIT	88,60

# AZ3 HTE2 HVLP - STANDARD QUALITY

## FEATURES



Standard Technology



High Volume Low Pressure



High Transfer Efficiency



Easy Maintenance



Reliable



Made in Italy

Standard Quality Spray Gun for Car Refinish Spray Putty applications. With High Volume & Low Pressure Technology, is ideal for spraying filler and other high viscosity coatings.



## TECHNICAL DATA

• Air Nipple: G1/4" • Fluid Nipple: G1/4"

model name	ø mm	cap	bar*	ml/min	NI/min	mm (in)
AZ3 HTE2 AV HVLP	2.0	HVLP	2.0	240	340	360

\*Suggested gun inlet pressure during spraying.

SPECIAL WRENCH ACCESSORIES



## ORDER INFORMATION

	ø 2,0	€
AZ3 HTE2 HVLP with 600 ml CUP	W0SPG85AG20C	187,60
AIR CAP SET (HVLP)	W2CAP84AG	56.90
FLUID NOZZLE & NEEDLE SET	W2013031300	26.50

## SET OPTIONS & CONTENTS

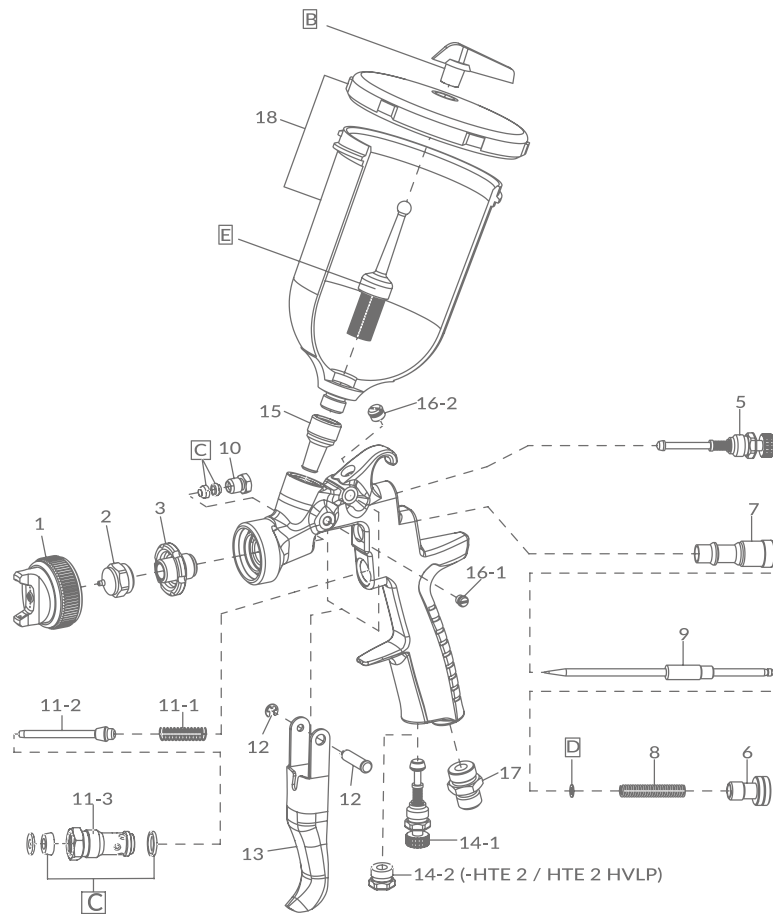
### CARTON BOX



AZ3 HTE2 HVLP Spray Gun  
PCG-6P-2B AZ CUP - 600 ml

# SPARE PARTS

**PCG-6B 2B-AZ**  
GRAVITY CUP  
600 ml



REF.	CODE	DESCRIPTION	€	REF.	CODE	DESCRIPTION	€
1	see table on left page	AIR CAP SET	56,80	C	W2KIT56	PACKING SET (3 pcs./1 pk.)	5,70
2+9	see table on left page	FLUID NOZZLE + FLUID NEEDLE SET	30,00	D	W2KIT33	SLIDE RING SET (10 pcs./1 pk.)	12,30
3	W2010140200	NOZZLE HOLDER	8,70	18	W0012820100	PCG-6P-2B-AZ GRAVITY CUP 600 ml	16,70
5	93842601	PATTERN ADJ. SET	50,60	B	W2KIT07	NON DRIP SET (5 pcs./1 pk.)	7,20
6	W2010141000	FLUID NEEDLE ADJ. KNOB	2,50	E	W2KIT06	FILTER SET 50 Mesh (297µ) (5 pcs./1 pk.)	23,40
7	W2010140900	FLUID NEEDLE GUIDE	3,70				
8	W2010140800	FLUID NEEDLE SPRING	2,60				
10	W2010140600	FLUID NEEDLE PACKING NUT	1,90				
11	W2010120100	AIR VALVE SET	12,20				
11-1	W2010141700	AIR VALVE SPRING	2,00				
11-2	W2010130600	AIR VALVE	3,30				
11-3	W2010130500	AIR VALVE SEAT	7,00				
12	W2COM4001	TRIGGER STUD	1,70				
13	W2COM6051	TRIGGER	5,70				
14-1	93845531	AIR ADJ. SET	41,10				
14-2	93625371	PLUG	46,40				
15	W2013040100	THREADED BUSHING	3,20				
16-1	W2COM5004	SCREW	1,10				
16-2	W2COM6050	PLUG	2,50				
17	W2COM5000	AIR NIPPLE	4,60				

OPTION AND ACCESSORIES		
CODE	DESCRIPTION	€
W2KIT55UK	CLEANING KIT	81,80
VPACAZ3H2	BLACK PLASTIC CASE (for 1 SPRAY GUN and 1 CUP)	37,20
W2503500100	SPECIAL WRENCH	52,30

# AZ3 HTE P.A.S. CONCEPT - STANDARD QUALITY

## FEATURES



Standard Technology



Pressure Assisted Technology



High Transfer Efficiency



Easy Maintenance



Reliable



Made in Italy



High Viscosity



Standard Quality Spray Gun for Car Refinish Spray Putty coatings. Pressure Assisted System (P.A.S.) with special pressurized cup for the atomization of high viscosity materials such as thixotropic WB paints. High atomization performance. Mini pressure regulator for high precision cup pressurization.

**HTE P1**  
HIGH TRANSFER EFFICIENCY

## TECHNICAL DATA

• Air Nipple: G1/4" • Fluid Nipple: G1/4"

model name	ø mm	cap	bar*	ml/min	NI/min	mm (in)
AZ3 HTE P.A.S. CONCEPT	1.3	HTE-P1 CONCEPT	2.5	190	286	270
	1.5			260		320
	1.8			396		380
	2.0			410		400

### METAL LID

STURDY & RESISTANT for HEAVY DUTY USE

\*Suggested gun inlet pressure during spraying.

## ORDER INFORMATION

	ø 1,3	ø 1,5	ø 1,8	ø 2,0	€
AZ3 HTE P.A.S. with 600 ml. cup	W0SPG88AG13C	W0SPG88AG15C	W0SPG88AG18C	W0SPG88AG20C	344.80
AIR CAP SET (HTE-P1 CONCEPT)	W2CAP83AG13				63.60
FLUID NOZZLE & NEEDLE SET	W2ADU83AG13	W2ADU83AG15	W2ADU83AG18	W2ADU83AG20	44.10

## SET OPTIONS & CONTENTS

### CARTON BOX

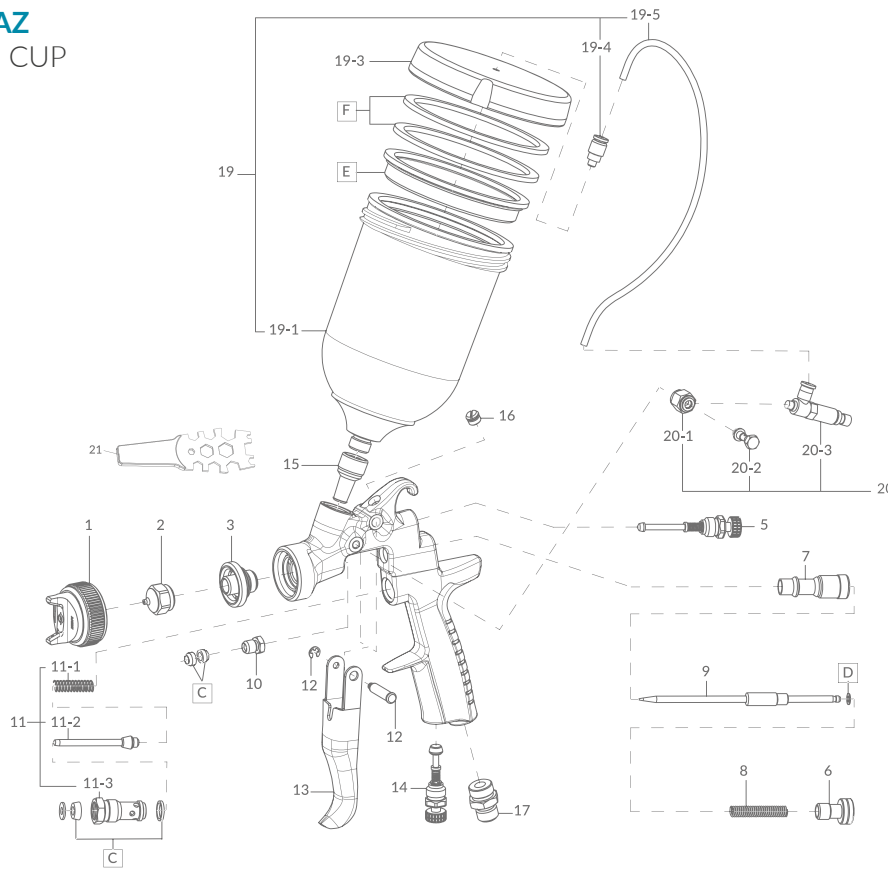


AZ3 HTE P.A.S. Concept Spray Gun  
PCGP-6P-2P-AZ PRESSURIZED CUP 600 ml  
Universal Spanner

# SPARE PARTS



**PCGP-6P 2B-AZ**  
PRESSURIZED CUP  
600 ml



REF.	CODE	DESCRIPTION	€	REF.	CODE	DESCRIPTION	€
1	see table on left page	AIR CAP SET	63.60	19	W0CUPAZ85	PCGP-6P-2B-AZ PRESSURIZED CUP 600 ml	114.40
2+9	see table on left page	FLUID NOZZLE + FLUID NEEDLE SET	44.10	19-1	W3COM1037	PRESSURE CUP	49.50
3	W3COM3050	NOZZLE HOLDER	30.00	19-3	W3COM1031	LID	58.00
5	93842601	PATTERN ADJ. SET	43.70	19-4	W3COM5041	STRAIGHT MALE ADAPTOR	5.70
6	W2010141000	FLUID NEEDLE ADJ. KNOB	2.50	19-5	0010002700	AIR HOSE	3.00
7	W2010140900	FLUID NEEDLE GUIDE	3.90	E	W2KIT38	NON DRIP SET (3 pcs.)	6.00
8	W2010140800	FLUID NEEDLE SPRING	2.60	F	W2KIT39	LID PACKING SET (4 pcs.)	7.90
10	W2010140600	FLUID NEEDLE PACKING NUT	2.80	20	W2SUB6066	PRESSURE REGULATOR SET	61.90
11	W2010120100	AIR VALVE SET	9.90	20-1	W3COM4030	ORIENTING RING	3.20
11-1	W2010141700	AIR VALVE SPRING	2.00	20-2	W3COM4033	BANJO STEM SINGLE	2.50
11-2	W2010130600	AIR VALVE	3.30	20-3	W3COM5032	PRESSURE REGULATOR	50.80
11-3	W2010130500	AIR VALVE SEAT	5.70	21	930171A0	UNIVERSAL SPANNER	9.40
12	W2COM4001	TRIGGER STUD	4.60				
13	W2COM6051	TRIGGER	6.90				
14	93845531	AIR ADJ. SET	45.50				
15	W3COM5038	THREADED BUSHING	15.85				
16	W2COM6050	PLUG	2.00				
17	W2COM5000	AIR NIPPLE	3.80				
C	W2KIT56	PACKING SET (3 pcs./1 pk.)	5.70				
D	W2KIT33	SLIDE RING SET (10 pcs./1 pk.)	12.30				
				<b>OPTION AND ACCESSORIES</b>			
				<b>CODE</b>	<b>DESCRIPTION</b>		<b>€</b>
				W2KIT55UK	CLEANING KIT		81.80



# W-300 WB - PREMIUM QUALITY

## FEATURES



Premium Quality VOC-Compliant Professional Spray Gun for Car Refinish Smart Repair applications. Equipped with the exclusive Split Nozzle™ Technology. Very Fine atomization specific for Water Base coatings.



## TECHNICAL DATA

• Air Nipple: G1/4" • Fluid Nipple: G1/4"

model name	ø mm	cap	bar*	ml/min	NI/min	mm (in)
W-300 WB - 101G	1.0	WB1	1.5	65	190	230
W-300 WB - 121G	1.2			100		240
W-300 WB - 141G	1.4			125		250

\*Suggested gun inlet pressure during spraying.

## ORDER INFORMATION

	ø 1,0	ø 1,2	ø 1,4	€
W-300 WB - PRO KIT (600 ml CUP)	13241518P	13241528P	13241508P	<b>437.10</b>
W-300 WB - PRO KIT (200 ml CUP)	13241515P	13241525P	13241505P	<b>414.20</b>
<b>AIR CAP SET (WB1)</b>		93592621		<b>115.10</b>
<b>FLUID NOZZLE &amp; NEEDLE SET</b>	93602620	93591620	93595620	<b>152.90</b>

## SET OPTIONS & CONTENTS

### PRO KIT CARTON BOX - A



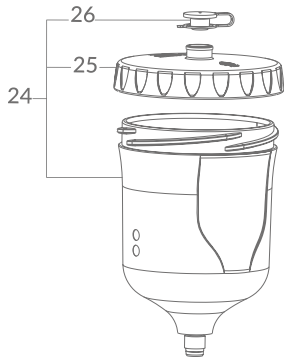
W-300 WB Spray Gun  
PC-G600P-2 CUP - 600 ml  
Cleaning Brushes - Universal Spanner

### PRO KIT CARTON BOX - B

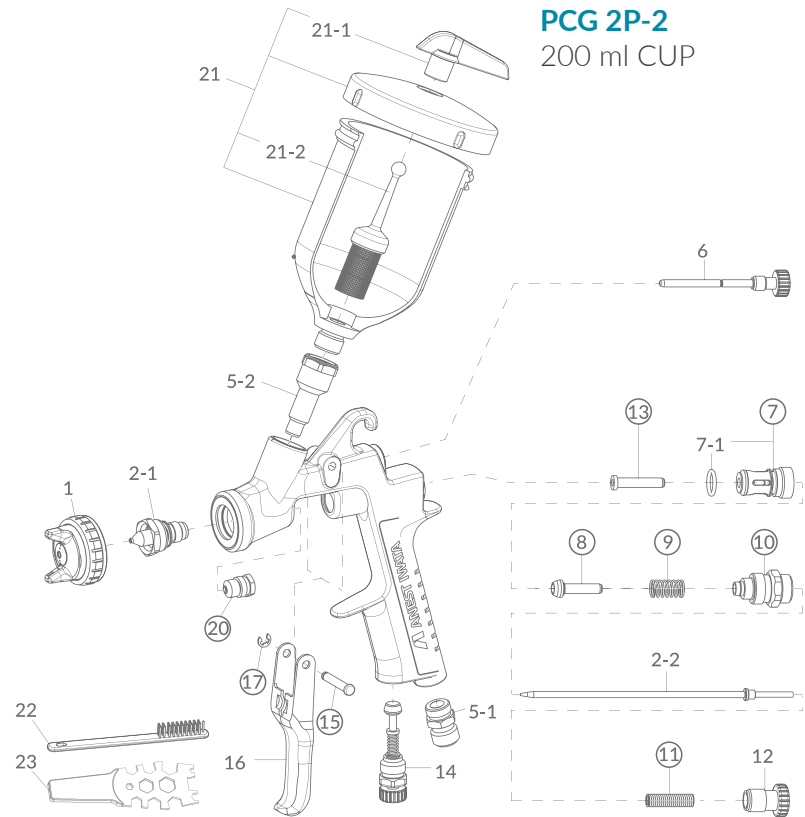


W-300 WB Spray Gun  
PCG 2P-2 CUP - 200 ml  
Cleaning Brushes - Universal Spanner

## PC-G600P-2 600 ml CUP



## PCG 2P-2 200 ml CUP



REF.	CODE	DESCRIPTION	€
1	see table on left page	AIR CAP SET WB1	115.10
2-1 + 2-2	see table on left page	FLUID NOZZLE + FLUID NEEDLE SET	152.90
5-1	03660300	AIR NIPPLE	11.90
5-2	03575620	FLUID NIPPLE	129.70
6	03577620	PATTERN ADJ. SET	66.40
7	03843530	AIR VALVE SEAT SET	30.00
7-1	06638008	'O'RING	3.10
8	03591530	AIR VALVE	20.60
9	03719530	AIR VALVE SPRING	8.80
10	93844532	FLUID ADJ. GUIDE SET	45.10
11	03593530	FLUID NEEDLE SPRING	8.80
12	93594532	FLUID ADJ. KNOB	18.10
13	93935430	AIR VALVE SHAFT	16.30
14	93845531	AIR ADJ. SET	45.50
15	03667360	TRIGGER STUD	4.90
16	03597530	TRIGGER	19.50
17	03912030	E STOPPER (2 pcs./1 pk.)	4.80
20	93810620	NEEDLE PACKING SET	35.70

REF.	CODE	DESCRIPTION	€
21	W0CUPAZ40IN	PCG-2P-2 GRAVITY CUP 200 ml	43.20
21-1	W2KIT07	NON DRIP SET (5 pcs./1pk.)	7.20
21-2	W2KIT06	FILTER 50 Mesh (297µ) (5 pcs./1pk.)	23.40
22	W2COM6163	BRUSHES (5 pcs./1 pk.)	13.20
23	930171A0	UNIVERSAL SPANNER	9.40
24	140081A0	PC-G600P-2 GRAVITY CUP 600 ml	67.90
25	940222A0	LID (for 600 ml cup)	37.20
26	940221A0	NON DRIP (for 600 ml cup)	2.00

### OPTION AND ACCESSORIES

CODE	DESCRIPTION	€
03608320	AIR CAP PACKING (WHITE)	3,60
03576530	AIR CAP "L" PACKING (BLACK)	6,80
W2KIT55UK	CLEANING KIT	88,60
W2COM6190	REPAIRING KIT 2 (includes: air valve seat set, air valve, air valve spring, fluid needle spring, air valve shaft, fluid adj. guide set, trigger stud, e stopper, needle packing cartridge).	120,00
94011240	FILTER 60 Mesh (250µ)	3,40



# W-300 - STANDARD QUALITY

## FEATURES



Standard Technology



High Transfer Efficiency



Lower Noise Level



Easy Maintenance



Ergonomic Design



Lightweight

Standard Quality VOC-Compliant Professional Spray Gun for Car Refinish Smart Repair applications. Equipped with conventional Standard Nozzle Technology. Fine atomization.

## TECHNICAL DATA

• Air Nipple: G1/4" • Fluid Nipple: G1/4"

model name	ø mm	cap	bar*	ml/min	NI/min	mm (in)
W-300-081G	0.8	E1	2.5	60	80	100
W-300-101G	1.0	K1		100	145	130
W-300-132G	1.3	H2		160	225	175

\*Suggested gun inlet pressure during spraying.



## ORDER INFORMATION

	ø 0,8	ø 1,0	ø 1,3	€
W-300 PRO KIT (600 ml CUP)	13241828P	13241818P	13241808P	<b>352.50</b>
W-300 PRO KIT (200 ml CUP)	13241825P	13241815P	13241805P	<b>309.20</b>
<b>AIR CAP SET</b>	E1 93689610	K1 93735610	H2 93696610	<b>106.10</b>
<b>FLUID NOZZLE &amp; NEEDLE SET</b>	93590621	93600621	-	<b>133.50</b>
<b>FLUID NOZZLE &amp; NEEDLE SET</b>	-	-	93666610P	<b>100,30</b>

## SET OPTIONS & CONTENTS

### PRO KIT CARTON BOX - A



W-300 Spray Gun  
PC-G600P-2 CUP - 600 ml  
Cleaning Brushes - Universal Spanner

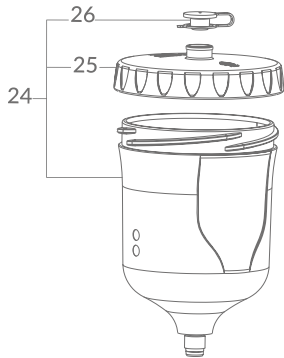
### PRO KIT CARTON BOX - B



W-300 Spray Gun  
PCG 2P-2 CUP - 200 ml  
Cleaning Brushes - Universal Spanner

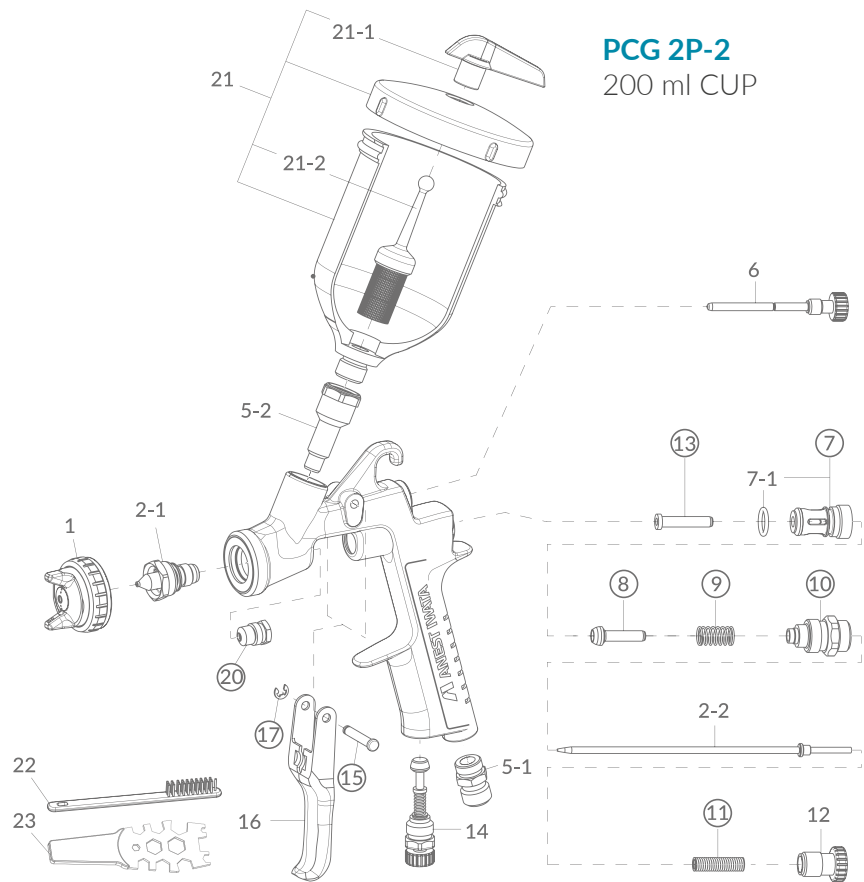
## PC-G600P-2

600 ml CUP



## PCG 2P-2

200 ml CUP



REF.	CODE	DESCRIPTION	€
1	see table on left page	AIR CAP SET E1	106.10
2-1 + 2-2	see table on left page	FLUID NOZZLE + FLUID NEEDLE SET	133.50
2-1 + 2-2	see table on left page	FLUID NOZZLE + FLUID NEEDLE SET	100.30
5-1	03660300	AIR NIPPLE	11.90
5-2	03575620	FLUID NIPPLE	129.70
6	03577620	PATTERN ADJ. SET	66.40
7	03843530	AIR VALVE SEAT SET	30.00
7-1	06638008	'O'RING	3.10
8	03591530	AIR VALVE	20.60
9	03719530	AIR VALVE SPRING	8.80
10	93844532	FLUID ADJ. GUIDE SET	45.10
11	03593530	FLUID NEEDLE SPRING	8.80
12	93594532	FLUID ADJ. KNOB	18.10
13	93935430	AIR VALVE SHAFT	16.30
14	93845531	AIR ADJ. SET	45.50
15	03667360	TRIGGER STUD	4.90
16	03597530	TRIGGER	19.50
17	03912030	E STOPPER (2 pcs./1 pk.)	4.80

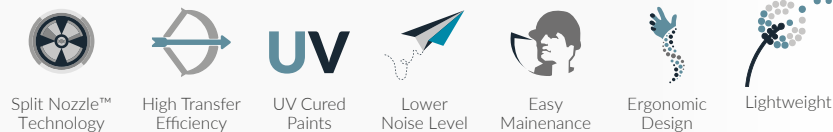
REF.	CODE	DESCRIPTION	€
20	93810620	NEEDLE PACKING SET	35.70
21	W0CUPAZ40IN	PCG-2P-2 GRAVITY CUP 200 ml	43.20
21-1	W2KIT07	NON DRIP SET (5 pcs./1pk.)	7.20
21-2	W2KIT06	FILTER 50 Mesh (297µ) (5 pcs./1pk.)	23.40
22	W2COM6163	BRUSHES (5 pcs./1 pk.)	13.20
23	930171A0	UNIVERSAL SPANNER	9.40
24	140081A0	PC-G600P-2 GRAVITY CUP 600 ml	67.90
25	940222A0	LID (for 600 ml cup)	37.20
26	940221A0	NON DRIP (for 600 ml cup)	2.00

### OPTION AND ACCESSORIES

CODE	DESCRIPTION	€
03608320	AIR CAP PACKING (WHITE)	5.20
03576530	AIR CAP "L" PACKING (BLACK)	5.20
W2KIT55UK	CLEANING KIT	81.80
W2COM6190	REPAIRING KIT 2 (includes: air valve seat set, air valve, air valve spring, fluid needle spring, air valve shaft, fluid adj. guide set, trigger stud, e stopper, needle packing cartridge).	112.90
94011240	FILTER 60 Mesh (250µ)	3.00

# W-300 WB UV CURED PAINTS - PREMIUM QUALITY

## FEATURES



Professional Spray Gun, specific for UV cured paints applications, equipped with the exclusive Split Nozzle™ Technology and with a Black cup and an anti-UV air cap cover to prevent paint exposure to UV rays. Very fine atomization.

## TECHNICAL DATA

• Air Nipple: G1/4"   • Fluid Nipple: G1/4"

nome modello	ø mm	ugello aria	bar*	ml/min	NI/min	mm (in)
W-300 WB - 101G	1.0	WB1	1.5	65	190	230
W-300 WB - 121G	1.2			100		240

\*Suggested gun inlet pressure during spraying.



AIR CAP PROTECTION



## ORDER INFORMATION

	ø 1,0	ø 1,2	€
W-300 WB UV - PRO KIT (200 ml CUP)	130709A0	130068A0	437,10
AIR CAP SET (WB1)	930149A0		119,50
FLUID NOZZLE + FLUID NEEDLE SET	93602620	93591620	152,90

## SET OPTIONS & CONTENTS

### PRO KIT CARTON BOX



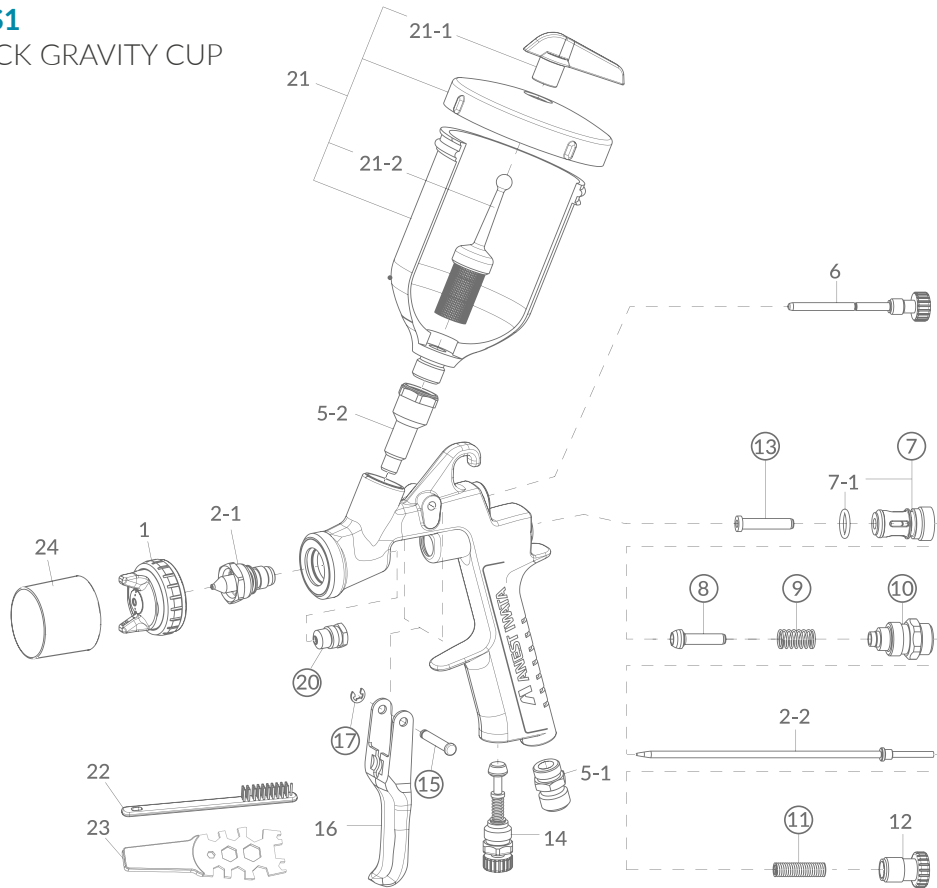
W-300 WB UV Spray Gun  
PCG-2P-2-S1 CUP - 200 ml Black Gravity Cup  
Cleaning Brushes - Universal Spanner

# SPARE PARTS



## PCG-2P-2-S1

200 ml BLACK GRAVITY CUP



REF.	CODE	DESCRIPTION	€	REF.	CODE	DESCRIPTION	€
1	see table on left page	AIR CAP SET	119,50	21	140025A0	PCG-2P-2-S1 BLACK GRAVITY CUP 200 ml with Fluid Joint in INOX	38,80
2-1 + 2-2	see table on left page	FLUID NOZZLE + FLUID NEEDLE SET	152,90	21-1	W2KIT07	NON DRIP SET (5 pcs./1pk.)	7,20
5-1	03660300	AIR NIPPLE	11,90	21-2	W2KIT06	FILTER 50 Mesh (297µ) (5 pcs./1pk.)	23,40
5-2	03575620	FLUID NIPPLE	129,70	22	W2COM6163	BRUSHES (5 pcs./1 pk.)	13,20
6	930151A0	PATTERN ADJ. SET	57,80	23	930171A0	UNIVERSAL SPANNER	9,40
7	03843530	AIR VALVE SEAT SET	30,00	24	930147A0	AIR CAP PROTECTION	7,10
7-1	06638008	'O'RING	3,10				
8	03591530	AIR VALVE	20,60				
9	03719530	AIR VALVE SPRING	8,80				
10	93844532	FLUID ADJ. GUIDE SET	45,10				
11	03593530	FLUID NEEDLE SPRING	8,80				
12	930150A0	FLUID ADJ. KNOB	19,40				
13	93935430	AIR VALVE SHAFT	16,30				
14	930152A0	AIR ADJ. SET	45,80				
15	03667360	TRIGGER STUD	4,90				
16	930197A0	TRIGGER	18,40				
17	03912030	E STOPPER (2 pcs./1 pk.)	4,80				
20	93810620	NEEDLE PACKING SET	35,70				

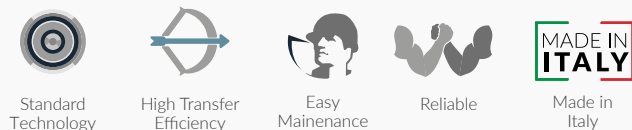
  

OPTION AND ACCESSORIES		
CODE	DESCRIPTION	€
03608320	AIR CAP PACKING (WHITE)	5,20
03576530	AIR CAP "L" PACKING (BLACK)	5,20
W2KIT55UK	CLEANING KIT	81,80
W2COM6190	REPAIRING KIT 2 (includes: air valve seat set, air valve, air valve spring, fluid needle spring, air valve shaft, fluid adj. guide set, trigger stud, e stopper, needle packing cartridge).	112,90
94011240	FILTER 60 Mesh (250µ)	3,00



# AZ4 HTE-S IMPACT JUNIOR - STANDARD QUALITY

## FEATURES



Standard Quality Spray Gun, ideal for both water and solvent base paints. Designed for Car Refinish application to achieve small and medium repairs on a vehicle body. Fine atomization.

## TECHNICAL DATA

• Air Nipple: G1/4" • Fluid Nipple: G1/4"

model name	ø mm	cap	bar*	ml/min	NI/min	mm (in)
AZ4 HTE-S	0.8	AZ4-1	1.0	50	105	120
	1.0			65		150
	1.2			80		160
	1.3	AZ4-2	2.5	140	235	150

\*Suggested gun inlet pressure during spraying.



## ORDER INFORMATION

	ø 0,8	ø 1,0	ø 1,2	ø 1,3	€
AZ4 HTE-S with 200 ml CUP	13000710	13000720	13000730	13000740	137.00
AZ4 HTE-S with 70 ml CUP	13001130	13001140	13001150	-	137.00

<b>AIR CAP SET</b>		(AZ4-1) 93003740	(AZ4-2) 93003750	39.80	
<b>FLUID NOZZLE &amp; NEEDLE SET</b>	93004580	93004590	93004600	93004610	27.10

## SET OPTIONS & CONTENTS

### CARTON BOX - A



AZ4 HTE-S Spray Gun  
PCG-2P-2 CUP - 200 ml

### CARTON BOX - B

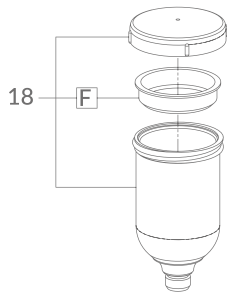


AZ4 HTE-S Spray Gun  
PCG-1P-2 - 70 ml

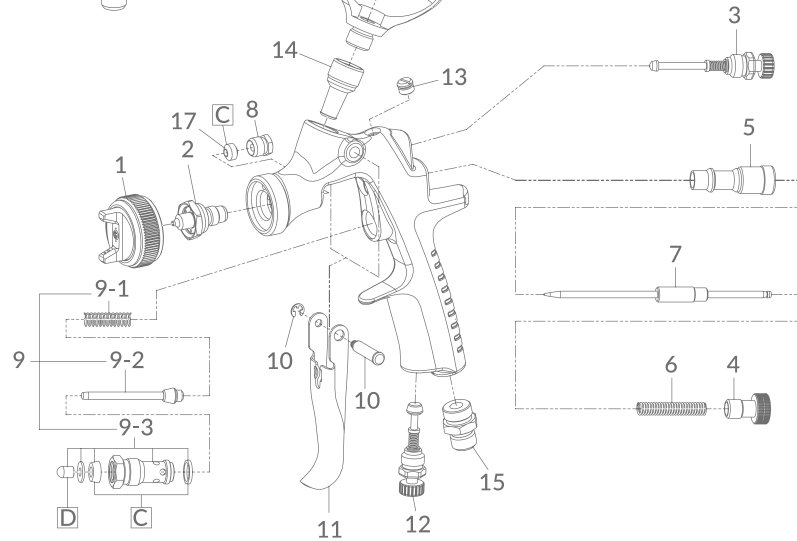
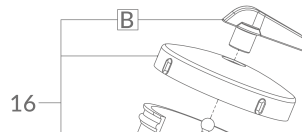
# SPARE PARTS



**PCG-1P-2**  
GRAVITY CUP  
70 ml



**PCG-2P-2**  
GRAVITY CUP  
200 ml

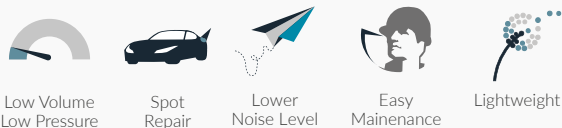


REF.	CODE	DESCRIPTION	€	REF.	CODE	DESCRIPTION	€
1	see table on left page	AIR CAP SET	39.80	16	W0CUPAZ40IN	PCG-2P-2 GRAVITY CUP 200 ml	43.20
2+7	see table on left page	FLUID NOZZLE + FLUID NEEDLE SET	27.10	B	W2KIT07	NON DRIP SET (5pcs./1 pk.)	7.20
3	93842601	PATTERN ADJUSTMENT SET	43.70	E	W2KIT06	FILTER SET 50 Mesh (297µ) (5pcs./1 pk.)	23.40
4	W2010141000	FLUID NEEDLE ADJ. KNOB	2.50	18	13001200	PCG-1P-2 GRAVITY CUP 70 ml	24.10
5	W2010140900	FLUID NEEDLE GUIDE	3.90	F	W2KIT52	NON DRIP SET (3 pcs./1 pk.)	6.50
6	W2010140800	FLUID NEEDLE SPRING	2.60				
8	W2COM3011	NEEDLE PACKING NUT	2.70				
9	W2COM6080	AIR VALVE SET	12.00				
9-1	W2010141700	AIR VALVE SPRING	2.00				
9-2	W2010130600	AIR VALVE	3.30				
9-3	W2010130500	AIR VALVE SEAT	5.70				
10	W2COM4001	TRIGGER STUD	4.60				
11	93003810	TRIGGER	6.90				
12	93845531	AIR ADJUSTMENT SET	45.50				
13	W2COM6050	PLUG	2.00				
14	W3COM5038	THREADED BUSHING	15.85				
15	W2COM5000	AIR NIPPLE	3.80				
17	W2COM2006	NEEDLE PACKING	3.00				
C	93005550	PACKING SET (3 pcs./1 pk.)	5.70				
D	W2KIT37	AIR VALVE SHAFT TIP SET (5 pcs./1 pk.)	5.00				
<b>OPTION AND ACCESSORIES</b>							
	<b>CODE</b>	<b>DESCRIPTION</b>		<b>CODE</b>	<b>DESCRIPTION</b>		<b>€</b>
	W2KIT55UK	CLEANING KIT					81.80



# LPH-80 (LVLP) - PREMIUM QUALITY

## FEATURES



Premium Quality Spray Gun for Spot Repair applications. Specially designed for small repair jobs and hard-to-reach areas.

## TECHNICAL DATA

• Air Nipple: G1/4" • Fluid Nipple: G1/8"

model name	ø mm	cap	bar*	ml/min	NI/min	mm (in)
LPH-80 - 044G	0.4	E4	1.0	10	60	55
LPH-80 - 064G	0.6			30		80
LPH-80 - 084G	0.8			45		100
LPH-80 - 104G	1.0			60		130
LPH-80 - 124G	1.2			75		140

\*Suggested gun inlet pressure during spraying.

250 ml GRAVITY CUP



70 ml GRAVITY CUP

## ORDER INFORMATION

	ø 0,4	ø 0,6	ø 0,8	ø 1,0	ø 1,2	€
LPH-80 - (with 250 ml CUP)	13180707P	13180717P	13180747P	13180727P	13180737P	313.50
LPH-80 - (with 70 ml CUP)	131807072P	131807172P	131807472P	131807272P	131807372P	313.50
LPH-80 - (with 250 ml +70 ml CUPS)	131807071	131807171	131807471	131807271	131807371	323.40
<b>AIR CAP SET (E4)</b>	93662600					<b>81.00</b>
<b>FLUID NOZZLE SET</b>	93570600	93568600	93761530	93560600	93760530	<b>82.40</b>
<b>FLUID NEEDLE SET</b>	93891600	93890600		93886600		<b>32.80</b>

## SET OPTIONS & CONTENTS

### CARTON BOX



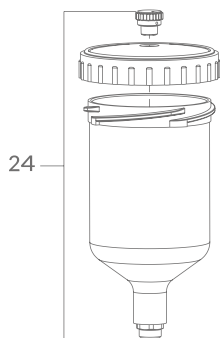
LPH-80 Spray Gun  
PCG-3P-1 CUP - 250 ml or PCG-1P-1 CUP 70 ml  
Cleaning Brushes

# SPARE PARTS

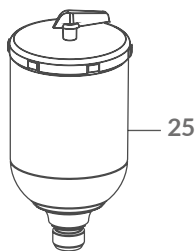


LPH-80 (LVLP)

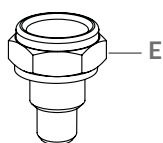
**PCG-3P-1**  
250 ml  
GRAVITY CUP



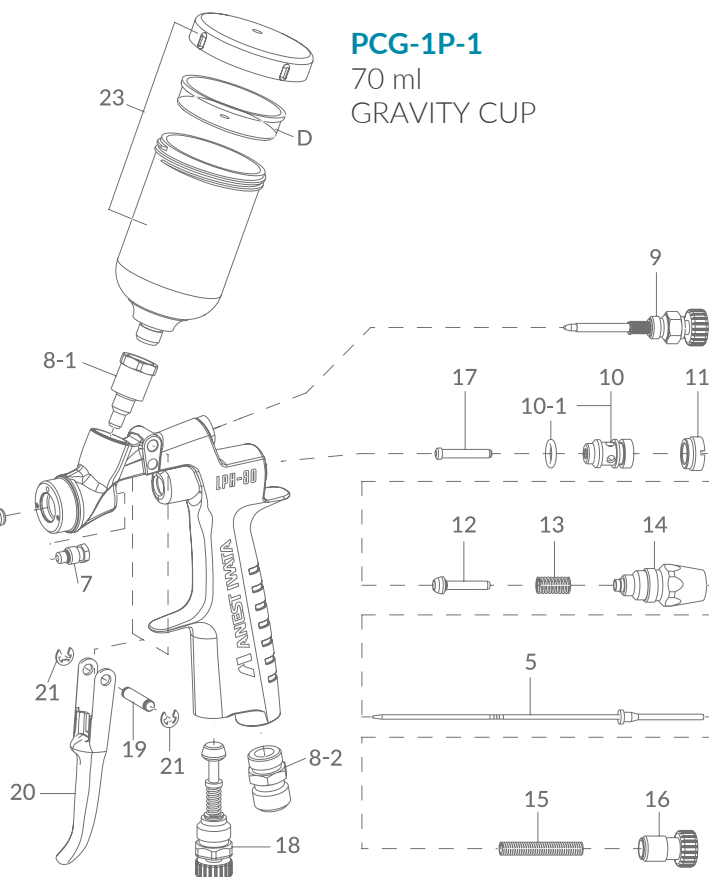
**PCG-2P-2-S1**  
200 ml  
BLACK  
GRAVITY CUP



**140025A0**  
CUP ADAPTER  
G1/8" - G1/4"F



**PCG-1P-1**  
70 ml  
GRAVITY CUP



REF.	CODE	DESCRIPTION	€	REF.	CODE	DESCRIPTION	€
1	see table on left page	AIR CAP SET	81.00	20	03162890	TRIGGER	15.70
4	see table on left page	FLUID NOZZLE SET	82.40	21	03912030	E STOPPER (2 pcs./1 pk.)	4.80
5	see table on left page	FLUID NEEDLE SET	32.80	22	W2COM6163	BRUSHES (5 pcs./1 pk.)	13.20
2	03558600	AIR CAP PACKING	3.60	23	13678980	PCG-1P-1 GRAVITY CUP 70 ml + NON DRIP SET	24.10
3	93559601	AIR CAP COVER	21.30	D	W2KIT52	NON DRIP SET (3 pcs./1 pk.)	6.50
7	93940890	NEEDLE PACKING SET	30.00	24	VPE250	PCG-3P-1 GRAVITY CUP 250 ml	17.90
8-1	93753530	FLUID NIPPLE	54.30	25	140025A0	PCG-2P-2-S1 BLACK GRAVITY CUP 200 ml with fluid Joint in Inox	38.80
8-2	03660300	AIR NIPPLE	11.90	25-1	W2KIT07	NON DRIP SET (5 pcs./1pk.)	7.20
9	93748530	PATTERN ADJ. SET	48.70	25-2	W2KIT06	FILTER 50 Mesh (297µ) (5 pcs./1pk.)	23.40
10	03912880	AIR VALVE SEAT SET	47.60	E	030701A0	ADAPTER G1/8" - G1/4"F for BLACK GRAVITY CUP 200 ml	--
10-1	06638005	O'RING	1.90				
11	03011880	AIR VALVE SEAT SCREW	6.30				
12	03013880	AIR VALVE	21.90				
13	03012880	AIR VALVE SPRING	4.80				
14	03936880	FLUID ADJ. GUIDE SET	43.90				
15	03015880	FLUID NEEDLE SPRING	9.40				
16	93754530	FLUID ADJ. KNOB	11.20				
17	93006881	AIR VALVE SHAFT	16.70				
18	93845531	AIR ADJ. SET	45.50				
19	03167890	TRIGGER STUD	7.50				

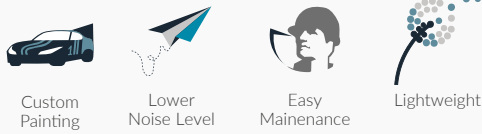
### OPTION AND ACCESSORIES

CODE	DESCRIPTION	€
W2KIT55UK	CLEANING KIT	81.80
W2COM6191	REPAIRING KIT 3 (includes: air valve seat set, air valve, air valve spring, fluid needle spring, air valve shaft, fluid adj. guide set, trigger stud, e stopper, needle packing cartridge).	115.10
93280881	SPANNER for LPH-80	16.90



# RG-3L - ROUND PATTERN - HIGH QUALITY

## FEATURES



200 ml  
GRAVITY CUP



130 ml  
GRAVITY CUP

High Quality Round Pattern Spray Gun for Custom Painting applications. Specially designed for decorative painting. Ideal for modeling, contours painting and graphics.

## TECHNICAL DATA

• Air Nipple: G1/4" • Fluid Nipple: G1/4"

model name	ø mm	cap	bar*	ml/min	NI/min	mm (in)
RG-3L 1	0.4	1	2.5	15	30	25
RG-3L 2	0.6	2		35		35
RG-3L 3	1.0	3		80		35

\*Suggested gun inlet pressure during spraying.

## ORDER INFORMATION

	ø 0,4	ø 0,6	ø 1,0	€
RG-3L SPRAY GUN	13058600	13058610	13058620	309,00
RG-3L SPRAY GUN with 200 ml CUP	13058606	13058616	13058626	357,10
RG-3L SPRAY GUN with 130 ml CUP	13058605	13058615	13058625	363,20
<b>AIR CAP SET</b>	93022890	93025880	93026880	47,60
<b>FLUID NOZZLE SET</b>	93042880	93041880	93040890	46,40
<b>FLUID NEEDLE SET</b>	93910880	93937880	93938880	42,10

## RG-3LS3 FLAT PATTERN SPRAY GUN

## ORDER INFORMATION

	ø 0,6	€
RG-3LS3 FLAT PATTERN Spray Gun with 130 ml Cup	13058650	362,90
<b>AIR CAP SET</b>	93023881	109,00
<b>FLUID NOZZLE SET</b>	93041880	46,40
<b>FLUID NEEDLE SET</b>	93937880	42,10

## SET OPTIONS & CONTENTS

### CARTON BOX



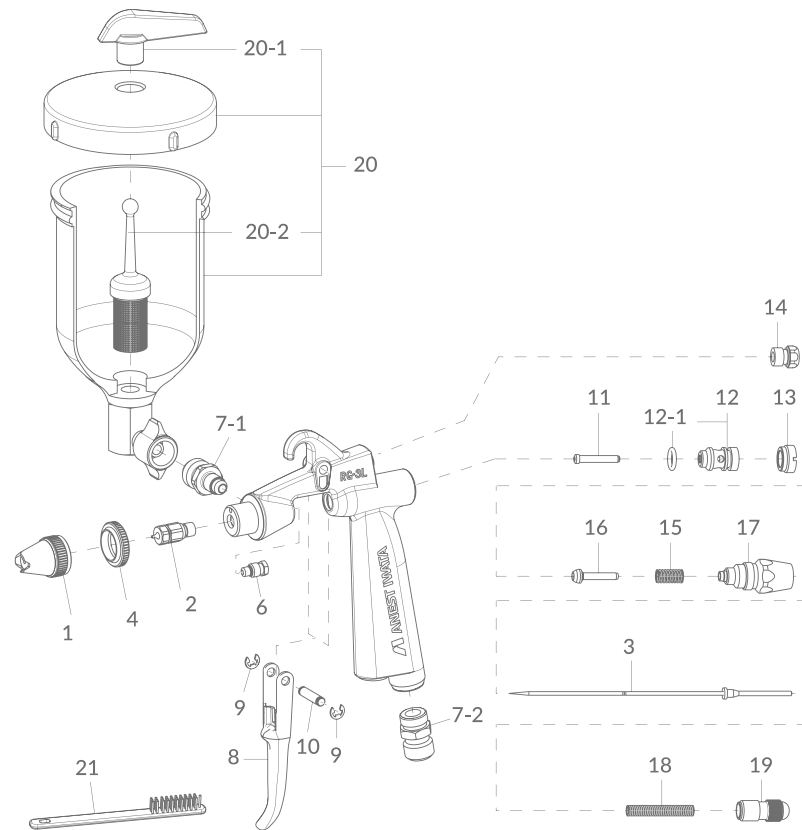
RG-3L Spray Gun  
PC-52 AG CUP - 200 ml or PC-61 CUP - 130 ml  
Cleaning Brushes

# SPARE PARTS



## PC-52 AG

200 ml  
SIDE GRAVITY  
CUP



REF.	CODE	DESCRIPTION	€	REF.	CODE	DESCRIPTION	€
1	see table on left page	AIR CAP SET RG-3L	47.60	19	03017880	FLUID ADJ. KNOB	11.90
1	see table on left page	AIR CAP SET RG-3L-S3	109.00	21	W2COM6163	BRUSHES (5 pcs./1 pk.)	13.20
2	see table on left page	FLUID NOZZLE SET	46.40	20	14018186F	PC-52 AG SIDE GRAVITY CUP 200 ml	40.80
3	see table on left page	FLUID NEEDLE SET	42.10		14018190	PC 61 SIDE GRAVITY CUP 130 ml	78.40
4	03028890	JAM NUT	19.70				
6	93940890	NEEDLE PACKING SET	30.00				
7-1	93005891	FLUID NIPPLE	20.40				
7-2	03660600	AIR NIPPLE	--				
8	03162890	TRIGGER	15.70				
9	03912030	E STOPPER (2 pcs. /1 pk)	4.80				
10	03167890	TRIGGER STUD	7.50				
11	93006881	AIR VALVE SHAFT	16.70				
12	03912880	AIR VALVE SEAT SET	47.60				
12-1	06638005	O'RING	1.90				
13	03011880	AIR VALVE SEAT SCREW	6.30				
14	93027880	PLUG	16.70				
15	03012880	AIR VALVE SPRING	4.80				
16	03013880	AIR VALVE	21.90				
17	03936880	FLUID ADJ. GUIDE SET	43.90				
18	03015880	FLUID NEEDLE SPRING	9.40				

### OPTION AND ACCESSORIES

CODE	DESCRIPTION	€
W2KIT55UK	CLEANING KIT	81.80
93280881	SPANNER FOR RG-3L	16.90



## CUSTOM MICRON - PREMIUM QUALITY

### FEATURES

Iwata Custom Micron Series airbrushes is specific for extreme detail spraying; each Custom Micron Head System is custom matched and hand-tuned to meet Iwata's rigorous performance standards for superior atomization.

ORDER INFORMATION	C1	C2
CUSTOM MICRON CM-C2 Plus (7 ml cup)	-	ICM4502
CUSTOM MICRON CM-C2 (7 ml cup)	-	ICM4002
CUSTOM MICRON CM-B2 (1.5 ml cup)	ICM2002	-
CUSTOM MICRON TAKUMI (7 ml cup)	ICM350T	-

## Custom Micron

AIRBRUSH SERIES



## ECLIPSE SERIES - HIGH QUALITY

### FEATURES

High flow Iwata Eclipse Series airbrushes are designed to easily atomize heavier sprayable medium from a controlled fine line to controlled wide spray. This makes Eclipse Series highly versatile and suited to almost any project.

ORDER INFORMATION	E3	E5
ECLIPSE HP-CS	ECL4500	-
ECLIPSE TAKUMI	ECL350T	-
ECLIPSE HP-BS	ECL2500	-
ECLIPSE HP-BCS	-	ECL2000

## Eclipse

AIRBRUSH SERIES



## NEO SERIES - STANDARD QUALITY

### FEATURES

Iwata Revolution Series and NEO for Iwata Series airbrushes deliver soft, effortless coverage and quality atomization at low air pressures. Fine atomization is achieved using the smallest air compressors, making these airbrushes a simple choice for medium spray applications and for anyone wanting to start airbrushing for the first time.

ORDER INFORMATION	N3	N5
NEO HP-CN	N4500	-
NEO HP-BCN	-	N2000

## neo

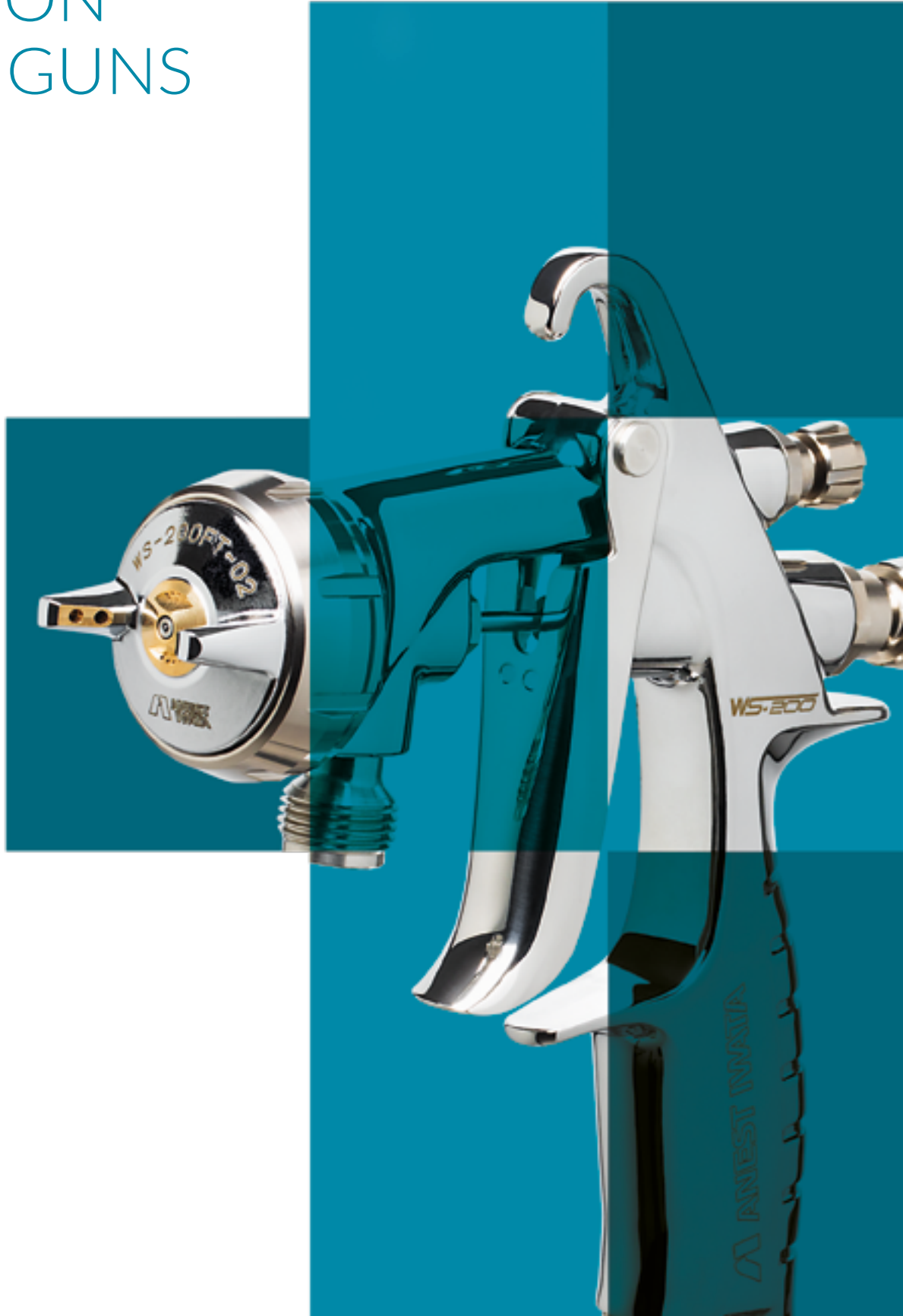
for iwata

AIRBRUSH SERIES



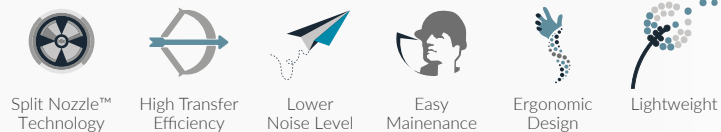
2

# PRESSION SPRAY GUNS



# WS-200 SP - PREMIUM QUALITY

## FEATURES



Split Nozzle™ Technology

High Transfer Efficiency

Lower Noise Level

Easy Maintenance

Ergonomic Design

Lightweight



Premium Quality New Generation Pressure Spray Gun, special for industrial applications, is equipped with the exclusive Split Nozzle™ Technology.

## TECHNICAL DATA

• Air Nipple: G1/4" • Fluid Nipple: G3/8"

model name	ø mm	cap	bar*	ml/min	NI/min	mm (in)
WS-200SP-0801	0.8	WS-200SP-01	2.5	200	435	210
WS-200SP-1001	1.0			250		230
WS-200SP-1201	1.2			300		240
WS-200SP-1401	1.4			350		255
WS-200SP-1601	1.6			400		265
WS-200SP-1801	1.8					

\*Suggested gun inlet pressure during spraying.

## ORDER INFORMATION

	ø 0,8	ø 1,0	ø 1,2	ø 1,4	ø 1,6	ø 1,8	€
WS-200 SP SPRAY GUN	13000120	13000130	13000140	13000680	13000690	13000700	669.70
AIR CAP SET (WS-200 SP-01)	93001300						125.50
FLUID NOZZLE & NEEDLE SET	93007240	93007490	93007550	93007620	93007650	93007660	242.90

## SET OPTIONS & CONTENTS

### CARTON BOX

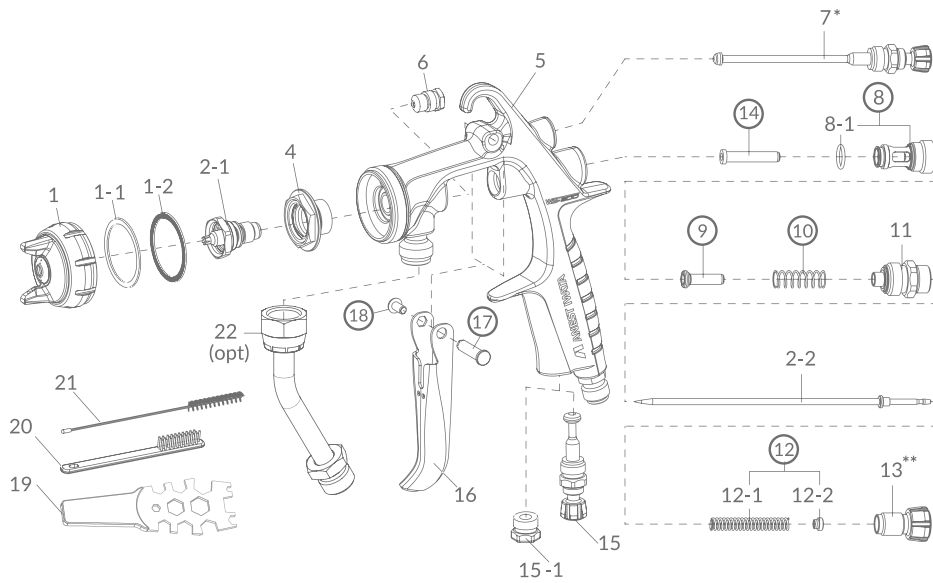


WS-200 SP Spray Gun  
Universal Spanner  
Cleaning Brushes

# SPARE PARTS



WS-200 SP | WS-200 FT



**1-1**  
Air Cap  
Packing White  
Seals air cap to  
tightening nut

**1-2**  
Air Cap Packing Transparent  
Seals air cap to gun body  
(transparent seal must be visible  
from the inside of the air cap)

**TIPP**  
Change always  
both air cap  
packings  
as a couple

**13.1**  
Lock  
Fluid  
Adjustment\*

**7.3**  
Lock  
Pattern  
Adjustment\*

**19.1 Spanner**  
For Lock Pattern  
Adjustment and  
Lock Fluid  
Adjustment

**FLUID TUBE 3/8"**  
in Stainless Steel

**"L" Rotating  
Air Hose  
Joint**



REF.	CODE	DESCRIPTION	€	REF.	CODE	DESCRIPTION	€
1	see table on left page	AIR CAP SET WS-200SP-01	125.50	15	93001801	AIR ADJUSTMENT SET	40.60
1-1	93505330	AIR CAP PACKING (WHITE)	5.90	15-1	93625371	PLUG	46.40
1-2	93001330	AIR CAP PACKING (TRANSPARENT)	6.00	16	93001820	TRIGGER SET	25.00
2-1 + 2-2	see table on left page	FLUID NOZZLE + FLUID NEEDLE SET WS-200SP	242.90	17	93001870	TRIGGER STUD	9.40
2-2	93001380	SPECIAL NEEDLE with TIP in DELRIN $\phi$ 0.8; 1.0; 1.2	115.50	18	93001960	HEX. SOCKET BUTTON BOLT	3.10
2-2	93005700	SPECIAL NEEDLE with TIP in DELRIN $\phi$ 1.4; 1.6; 1:8	116.00	19	930171A0	UNIVERSAL SPANNER	9.40
4	93007750	BAFFLE RING SET (BAFFLE RING + PACKING)	165.00	19-1	93003340	SPANNER for LOCK PATTERN ADJUSTMENT and for LOCK FLUID ADJUSTMENT	17.40
6	93810620	NEEDLE PACKING SET	35.70	20	W2COM6163	BRUSHES (5 pcs.)	13.20
7	93001561	PATTERN ADJUSTMENT	48.00		REPAIRING KIT WS-200 includes: Needle packing set ref. 6; Air valve seat set ref.8; Air valve ref.9; Air valve spring ref.10; Fluid adj. guide set ref.11; Needle spring ref. 12; Air valve shaft ref.14; Trigger stud ref.17; Hex. socket button bolt ref.18	147.80	
7-1	93003300	QUICK PATTERN ADJUSTMENT (opt.)*	186.70				
7-2	93003270	PUSH PATTERN ADJUSTMENT (opt.)*	166.10				
7-3	93003240	LOCK PATTERN ADJUSTMENT (opt.)*	134.90	21	W2COM6162	TWISTED BRUSHES $\phi$ 10 mm (5 pcs.)	15.70
8	93001640	AIR VALVE SEAT SET	37.50	22	W2COM5052	FLUID TUBE 3/8" Stainless Steel (opt.)	62.40
8-1	93001680	O RING	4.40	23	93001540	AIR NIPPLE G1/4"	10.60
9	93001690	AIR VALVE	25.60	<b>OPTION AND ACCESSORIES</b>			
10	93001700	AIR VALVE SPRING	14.50	<b>REF.</b>	<b>CODE</b>	<b>DESCRIPTION</b>	<b>€</b>
11	93001710	FLUID ADJUSTMENT GUIDE SET	44.40		PJQ-03P	QUICK JOINT NIPPLE 3/8" IG	171.90
12	93002820	NEEDLE SPRING SET	23.00		PJQ-03S	QUICK JOINT 3/8" AG	264.70
12-1	03593530	NEEDLE SPRING	8.80		14375800	"L" ROTATING AIR HOSE JOINT	26.60
12-2	93001760	NEEDLE SPRING PACKING	3.80		001004050	TWIN HOSE (Air & Fluid) 1/4"-1/4" mt. 5	95.10
13	93001780	FLUID ADJUSTMENT KNOB	18.10		001004075	TWIN HOSE (Air & Fluid) 1/4"-1/4" mt. 7.5	116.50
13-1	93003200	LOCK FLUID ADJUSTMENT (opt.)**	70.60		001004100	TWIN HOSE (Air & Fluid) 1/4"-1/4" mt. 10	142.20
14	93001790	AIR VALVE SHAFT	22.40				

# WS-200 FT - PREMIUM QUALITY

## FEATURES



Standard Technology



High Transfer Efficiency



Lower Noise Level



Easy Maintenance



Ergonomic Design



Lightweight



Premium Quality New Generation Pressure Spray Gun, special for industrial applications, is equipped with traditional Flat Tip Nozzle (Round nozzle) delivering high quality result.

## TECHNICAL DATA

• Air Nipple: G1/4" • Fluid Nipple: G3/8"

model name	ø mm	cap	bar*	ml/min	NI/min	mm (in)	
WS-200FT-0801	0.8	WS-200FT-01	2.5	200	380	240	
WS-200FT-1001	1.0					210	
WS-200FT-1201	1.2					240	
WS-200FT-1401	1.4			300		475	215
WS-200FT-1601	1.6						250
WS-200FT-1801	1.8						255
WS-200FT-0802	0.8	WS-200FT-02	3.0	200	475		215
WS-200FT-1002	1.0						250
WS-200FT-1202	1.2						300
WS-200FT-1402	1.4			350		285	270
WS-200FT-1601	1.6						285
WS-200FT-1802	1.8						285

\*Suggested gun inlet pressure during spraying.

## ORDER INFORMATION

	ø 0,8	ø 1,0	ø 1,2	ø 1,4	ø 1,6	ø 1,8	€
WS-200FT-01 SPRAY GUN	13000150	13000160	13000170	13000600	13000610	13000620	517.00
WS-200FT-02 SPRAY GUN	13000180	13000190	13000200	13000630	13000640	13000650	517.00
<b>AIR CAP SET (WS-20FT-01)</b>	93002070						<b>118.60</b>
<b>AIR CAP SET (WS-20FT-02)</b>	93002190						<b>118.60</b>
<b>FLUID NOZZLE &amp; NEEDLE SET</b>	93002180	93002150	93002130	93003420	93003480	93003500	<b>121.70</b>

## SET OPTIONS & CONTENTS

### CARTON BOX

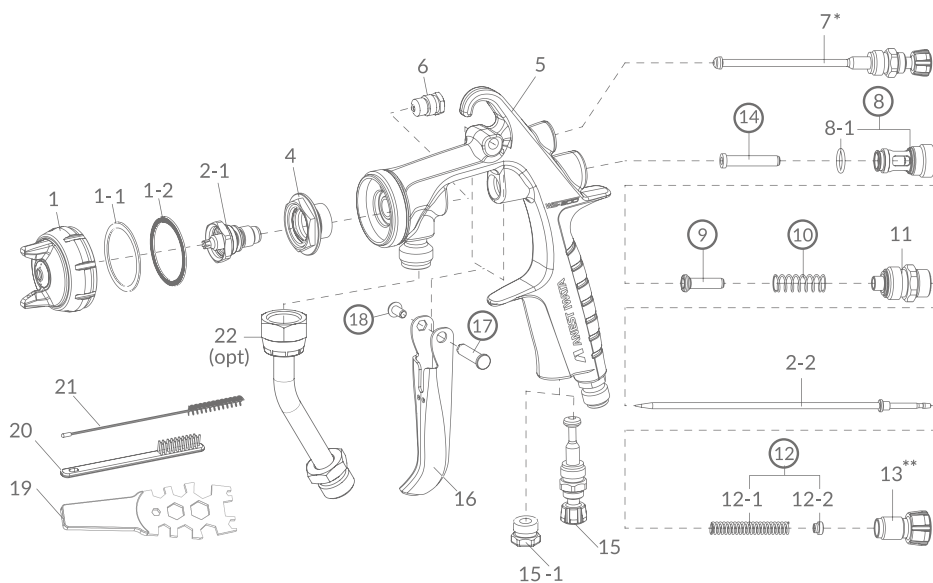


WS-200 FT Spray Gun  
Universal Spanner  
Cleaning Brushes

# SPARE PARTS



WS-200 SP | WS-200 FT



**1-1 Air Cap Packing White**  
Seals air cap to tightening nut

**1-2 Air Cap Packing Transparent**  
Seals air cap to gun body (transparent seal must be visible from the inside of the air cap)

**TIPP**  
Change always both air cap packings as a couple

**13.1 Lock Fluid Adjustment\***

**7.3 Lock Pattern Adjustment\***

**19.1 Spanner**  
For Lock Pattern Adjustment and Lock Fluid Adjustment

**FLUID TUBE 3/8" in Stainless Steel**

**"L" Rotating Air Hose Joint**



REF.	CODE	DESCRIPTION	€	REF.	CODE	DESCRIPTION	€	
1	see table on left page	AIR CAP SET WS-200FT-01 and WS-200FT-02	118.60	15	93001801	AIR ADJUSTMENT SET	40.60	
1-1	93505330	AIR CAP PACKING (WHITE)	5.90	15-1	93625371	PLUG	46.40	
1-2	93001330	AIR CAP PACKING (TRANSPARENT)	6.00	16	93001820	TRIGGER SET	25.00	
2-1 + 2-2	see table on left page	FLUID NOZZLE + FLUID NEEDLE SET WS-200FT	121.70	17	93001870	TRIGGER STUD	9.40	
2-2	93001380	SPECIAL NEEDLE with TIP in DELRIN $\phi$ 0.8; 1.0; 1.2	115.50	18	93001960	HEX. SOCKET BUTTON BOLT	3.10	
2-2	93005700	SPECIAL NEEDLE with TIP in DELRIN $\phi$ 1.4; 1.6; 1:8	116.00	19	930171A0	UNIVERSAL SPANNER	9.40	
4	93007750	BAFFLE RING SET (BAFFLE RING + PACKING)	165.00	19-1	93003340	SPANNER for LOCK PATTERN ADJUSTMENT and for LOCK FLUID ADJUSTMENT	17.40	
6	93810620	NEEDLE PACKING SET	35.70	20	W2COM6163	BRUSHES (5 pcs.)	13.20	
7	93001561	PATTERN ADJUSTMENT	48.00	 93005690	REPAIRING KIT WS-200 includes: Needle packing set ref. 6; Air valve seat set ref.8; Air valve ref.9; Air valve spring ref.10; Fluid adj. guide set ref.11; Needle spring ref. 12; Air valve shaft ref.14; Trigger stud ref.17; Hex. socket button bolt ref.18		147.80	
7-1	93003300	QUICK PATTERN ADJUSTMENT (opt.)*	186.70		21	W2COM6162	TWISTED BRUSHES $\phi$ 10 mm (5 pcs.)	15.70
7-2	93003270	PUSH PATTERN ADJUSTMENT (opt.)*	166.10		22	W2COM5052	FLUID TUBE 3/8" Stainless Steel (opt.)	62.40
7-3	93003240	LOCK PATTERN ADJUSTMENT (opt.)*	134.90	23	93001540	AIR NIPPLE G1/4"	10.60	
8	93001640	AIR VALVE SEAT SET	37.50	<b>OPTION AND ACCESSORIES</b>				
8-1	93001680	O RING	4.40	<b>REF.</b>	<b>CODE</b>	<b>DESCRIPTION</b>	<b>€</b>	
9	93001690	AIR VALVE	25.60		PJQ-03P	QUICK JOINT NIPPLE 3/8" IG	171.90	
10	93001700	AIR VALVE SPRING	14.50		PJQ-03S	QUICK JOINT 3/8" AG	264.70	
11	93001710	FLUID ADJUSTMENT GUIDE SET	44.40		14375800	"L" ROTATING AIR HOSE JOINT	26.60	
12	93002820	NEEDLE SPRING SET	23.00		001004050	TWIN HOSE (Air & Fluid) 1/4"-1/4" mt. 5	95.10	
12-1	03593530	NEEDLE SPRING	8.80		001004075	TWIN HOSE (Air & Fluid) 1/4"-1/4" mt. 7.5	116.50	
12-2	93001760	NEEDLE SPRING PACKING	3.80		001004100	TWIN HOSE (Air & Fluid) 1/4"-1/4" mt. 10	142.20	
13	93001780	FLUID ADJUSTMENT KNOB	18.10					
13-1	93003200	LOCK FLUID ADJUSTMENT (opt.)**	70.60					
14	93001790	AIR VALVE SHAFT	22.40					



# W-200 INTEGRA SP - HIGH QUALITY

## FEATURES



**W-200<sup>INTEGRA</sup>**



High Quality New Generation Pressure Spray Gun, born from the renewed design of previous W-200 version, it's the result of a perfect harmony between experience and technology, equipped with the exclusive Split Nozzle™ Technology is special for industrial applications.

## TECHNICAL DATA

• Air Nipple: G1/4" • Fluid Nipple: G3/8"

model name	ø mm	cap	bar*	ml/min	NI/min	mm (in)
W-200SP-08WB1P	0.8	WB1	2.0 ~ 2.5	200	425 ~ 531	360
W-200SP-10WB1P	1.0			250		380
W-200SP-12WB1P	1.2			300		390
W-200SP-14WB1P	1.4			350		
W-200SP-08WBSP	0.8	WBS	2.0 ~ 2.5	200	463 ~ 578	310
W-200SP-10WBSP	1.0			250		320
W-200SP-12WBSP	1.2			300		330
W-200SP-14WBSP	1.4			350		340

\*Suggested gun inlet pressure during spraying.

## ORDER INFORMATION

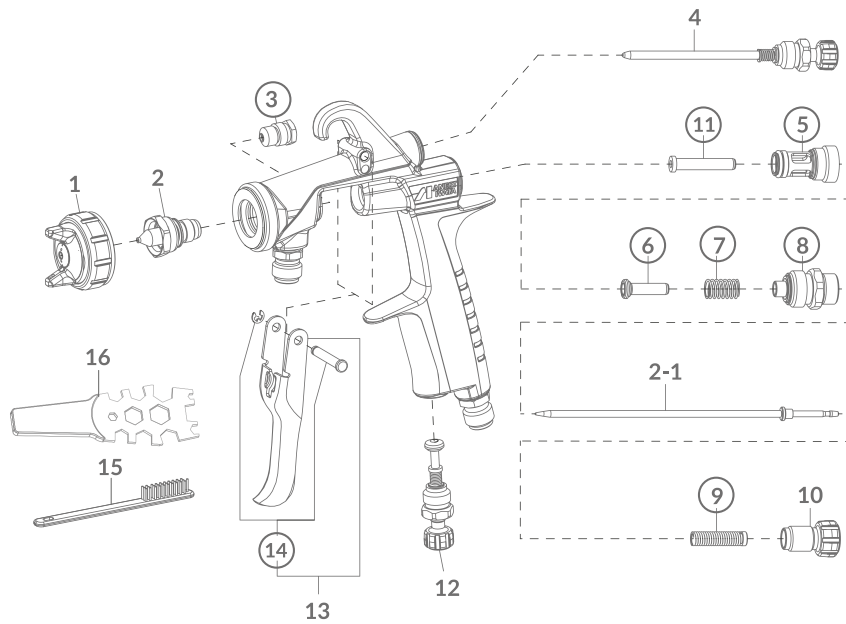
	ø 0,8	ø 1,0	ø 1,2	ø 1,4	€
W-200 INTEGRA SPRAY GUN - WB1	130451A0	130452A0	130453A0	130454A0	<b>583.90</b>
W-200 INTEGRA SPRAY GUN - WBS	130455A0	130456A0	130457A0	130458A0	<b>583.90</b>
<b>AIR CAP SET - WB1</b>	93017310				<b>138.70</b>
<b>AIR CAP SET - WBS</b>	93017430				<b>138.70</b>
<b>FLUID NOZZLE &amp; NEEDLE SET</b>	93012030	93012020	93012010	93017330	<b>232.40</b>

## SET OPTIONS & CONTENTS

### CARTON BOX



W-200 INTEGRA SP Pressure Spray Gun  
Universal Spanner  
Cleaning Brushes



## OPTIONS & ACCESSORIES:

### LOCK PATTERN ADJUSTMENT



### LOCK FLUID ADJUSTMENT



### SPANNER for Lock Fluid Adjustment & Lock Pattern Adjustment



### FLUID TUBE 3/8" in Stainless Steel



### "L" ROTATING AIR HOSE JOINT



REF.	CODE	DESCRIPTION	€	OPTION AND ACCESSORIES			
				CODE	DESCRIPTION	REF.	€
1	see table on left page	AIR CAP SET	138.70				
1-1	93017700	CAP COVER PACKING SET	11.90	W2COM6163	BRUSHES (5 PCS/1PK)	15	13.20
1-2	93016870	AIR CAP RING Blue	52.00	930171A0	UNIVERSAL SPANNER	16	9.40
2 + 2-1	see table on left page	FLUID NOZZLE + FLUID NEEDLE SET	232.40	930356A0	REPAIRING KIT includes: needle packing set (3), air valve seat set (5), air valve (6), air valve spring (7), fluid adj. guide set (8), needle spring set (9), air valve shaft (11), trigger stud set (14).		166.10
3	93810620	NEEDLE PACKING SET	35.70				
4	93011630	PATTERN ADJUSTMENT	51.20	14375800	"L" ROTATING AIR HOSE JOINT		26.60
5	93001640	AIR VALVE SEAT SET	37.50	W-200-X1	QUICK FAN PATTERN ADJUSTMENT		186.70
6	93001690	AIR VALVE	25.60	93895611	PUSH-PULL PATTERN ADJUSTMENT SET		186.70
7	93001700	AIR VALVE SPRING	14.50	93018430	LOCK FLUID ADJUSTMENT		58.10
8	93012630	FLUID ADJUSTMENT GUIDE SET	41.60	93018420	LOCK PATTERN ADJUSTMENT		123.10
9	93002820	NEEDLE SPRING SET	23.00	93280082	SPANNER for Lock Fluid Adj. & Lock Pattern Adj.		6.80
10	93012650	FLUID ADJUSTMENT KNOB	16.60	W2COM5052	FLUID TUBE 3/8" Stainless Steel		62.40
11	93001790	AIR VALVE SHAFT	22.40	001004050	TWIN HOSE (Air and Fluid) 1/4"-1/4" - 5 m		95.10
12	93012660	AIR ADJUSTMENT SET	42.40	001004075	TWIN HOSE (Air and Fluid) 1/4"-1/4" - 7.5 m		116.50
13	93014500	TRIGGER SET	29.30	001004100	TWIN HOSE (Air and Fluid) 1/4"-1/4" - 10 m		142.20
14	93013810	TRIGGER STUD	8.60				

# W-200 INTEGRA FT - HIGH QUALITY

## FEATURES



Standard Technology



High Transfer Efficiency



Lower Noise Level



Easy Maintenance



Ergonomic Design



Lightweight

**W-200<sup>INTEGRA</sup>**



High Quality New Generation Pressure Spray Gun, born from the renewed design of previous W-200 version, it's the result of a perfect harmony between experience and technology, equipped with traditional Flat Tip Nozzle, is special for industrial applications.

## TECHNICAL DATA

• Air Nipple: G1/4" • Fluid Nipple: G3/8"

model name	ø mm	cap	bar*	ml/min	NI/min	mm (in)
W-200FT-08LV2P	0.8	LV2	2.0 ~ 2.5	70	240 ~ 300	140
W-200FT-10LV2P	1.0			110		170
W-200FT-12LV2P	1.2			150		220
W-200FT-15LV2P	1.5			250		270
W-200FT-16LV2P	1.6			300		280
W-200FT-18LV2P	1.8			400		290
W-200FT-08G2P	0.8	G2P	3.0 ~ 3.5	500	500 ~ 583	400
W-200FT-10G2P	1.0					
W-200FT-12G2P	1.2					

\*Suggested gun inlet pressure during spraying.

## ORDER INFORMATION

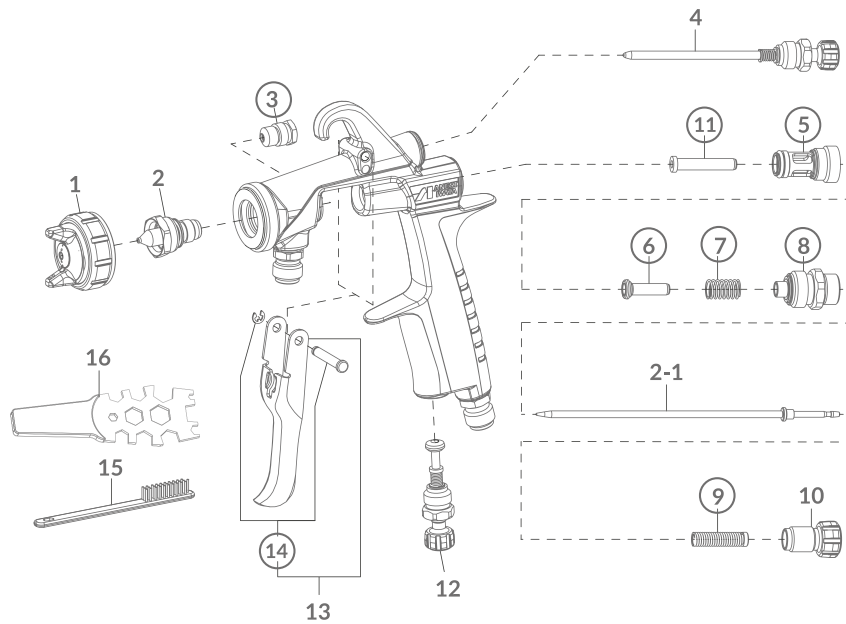
	ø 0,8	ø 1,0	ø 1,2	ø 1,5	ø 1,6	ø 1,8	€
W-200 INTEGRA SPRAY GUN - LV2	130459A0	130460A0	130461A0	130463A0	130506A0	130507A0	<b>418.30</b>
W-200 INTEGRA SPRAY GUN - G2P	130464A0	130465A0	130466A0	-			<b>428.90</b>
<b>AIR CAP SET - LV2</b>	93017350						<b>117.90</b>
<b>AIR CAP SET - G2P</b>	93011670			-			<b>124.90</b>
<b>FLUID NOZZLE &amp; NEEDLE SET</b>	93017270	93017280	93011570	93011680	93018270	93011730	<b>119.50</b>

## SET OPTIONS & CONTENTS

### CARTON BOX



W-200 INTEGRA FT Pressure Spray Gun  
Universal Spanner  
Cleaning Brushes



## OPTIONS & ACCESSORIES:

**LOCK PATTERN ADJUSTMENT**



**LOCK FLUID ADJUSTMENT**



**SPANNER for Lock Fluid Adjustment & Lock Pattern Adjustment**



**FLUID TUBE 3/8" in Stainless Steel**



**"L" ROTATING AIR HOSE JOINT**



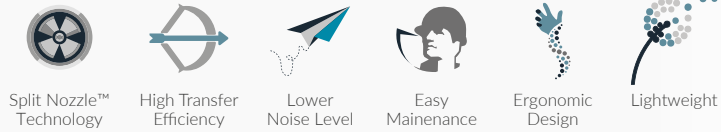
REF.	CODE	DESCRIPTION	€
1	see table on left page	AIR CAP SET (LV2)	117.90
1	see table on left page	AIR CAP SET (G2P)	124.90
1-1	93017700	CAP COVER PACKING SET	11.90
1-2	93011560	AIR CAP RING Silver	46.90
2 + 2-1	see table on left page	FLUID NOZZLE + FLUID NEEDLE SET	119.50
3	93810620	NEEDLE PACKING SET	35.70
4	93011630	PATTERN ADJUSTMENT	51.20
5	93001640	AIR VALVE SEAT SET	37.50
6	93001690	AIR VALVE	25.60
7	93001700	AIR VALVE SPRING	14.50
8	93012630	FLUID ADJUSTMENT GUIDE SET	41.60
9	93002820	NEEDLE SPRING SET	23.00
10	93012650	FLUID ADJUSTMENT KNOB	16.60
11	93001790	AIR VALVE SHAFT	22.40
12	93012660	AIR ADJUSTMENT SET	42.40
13	93014500	TRIGGER SET	29.30
14	93013810	TRIGGER STUD	8.60

## OPTION AND ACCESSORIES

CODE	DESCRIPTION	REF.	€
W2COM6163	BRUSHES (5 PCS/1PK)	15	13.20
930171A0	UNIVERSAL SPANNER	16	9.40
930356A0	REPAIRING KIT includes: needle packing set (3), air valve seat set (5), air valve (6), air valve spring (7), fluid adj. guide set (8), needle spring set (9), air valve shaft (11), trigger stud set (14).		166.10
14375800	"L" ROTATING AIR HOSE JOINT		26.60
W-200-X1	QUICK FAN PATTERN ADJUSTMENT		186.70
93895611	PUSH-PULL PATTERN ADJUSTMENT SET		186.70
93018430	LOCK FLUID ADJUSTMENT		58.10
93018420	LOCK PATTERN ADJUSTMENT		123.10
93280082	SPANNER for Lock Fluid Adj. & Lock Pattern Adj.		6.80
W2COM5052	FLUID TUBE 3/8" Stainless Steel		62.40
001004050	TWIN HOSE (Air and Fluid) 1/4"-1/4" - 5 m		95.10
001004075	TWIN HOSE (Air and Fluid) 1/4"-1/4" - 7.5 m		116.50
001004100	TWIN HOSE (Air and Fluid) 1/4"-1/4" - 10 m		142.20

# W-200 INTEGRA SP - HIGH QUALITY

## FEATURES



**W-200** INTEGRA



High Quality New Generation Suction Spray Gun, born from the renewed design of previous W-200 version, it's the result of a perfect harmony between experience and technology, equipped with the exclusive Split Nozzle™ Technology is special for industrial applications.

## TECHNICAL DATA

• Air Nipple: G1/4" • Fluid Nipple: G3/8"

model name	ø mm	cap	bar*	ml/min	NI/min	mm (in)
W-200SP-16WB2S	1.6	WB2	2.0 ~ 2.5	170	480	315
W-200SP-18WB2S	1.8			200	~ 538	330

\*Suggested gun inlet pressure during spraying.

## ORDER INFORMATION

	ø 1,6	ø 1,8	€
W-200 INTEGRA - Spray Gun Only	130471A0	130472A0	<b>573.40</b>
W-200 INTEGRA - With PCL-10B3 Cup	130478A0	130479A0	<b>641.50</b>
W-200 INTEGRA - With PC-12 Cup	130485A0	130486A0	<b>628.60</b>
<b>AIR CAP SET - WB2</b>	93017460		<b>138.70</b>
<b>FLUID NOZZLE &amp; NEEDLE SET</b>	93017480	93017490	<b>232.40</b>

## SET OPTIONS & CONTENTS

### CARTON BOX - A

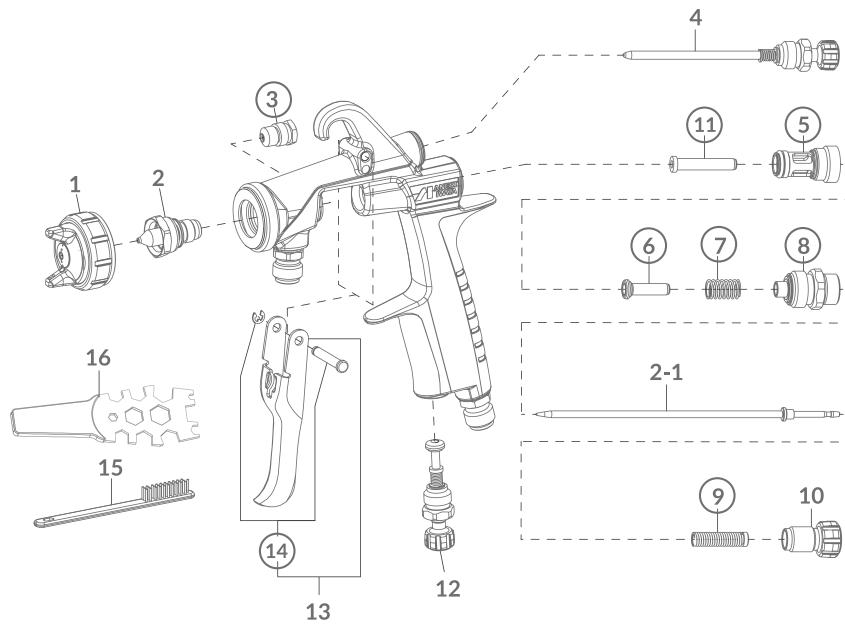


W-200 INTEGRA SP  
PCL-10B3 CUP - 1L  
Universal Spanner

### CARTON BOX - B



W-200 INTEGRA SP  
PC-12 - 1L  
Universal Spanner



## OPTIONS & ACCESSORIES:

### LOCK PATTERN ADJUSTMENT



### LOCK FLUID ADJUSTMENT



### SPANNER for

Lock Fluid Adjustment & Lock Pattern Adjustment



### FLUID TUBE 3/8" in Stainless Steel



### "L" ROTATING AIR HOSE JOINT



## OPTION AND ACCESSORIES

REF.	CODE	DESCRIPTION	€	CODE	DESCRIPTION	REF.	€
				W2COM6163	BRUSHES (5 PCS/1PK)	15	13.20
1	see table on left page	AIR CAP SET	138.70	930171A0	UNIVERSAL SPANNER	16	9.40
1-1	93017700	CAP COVER PACKING SET	11.90	14018621	PCL-10 B3 LEVER LOCK SUCTION CUP 1 lt.		84.00
1-2	93016870	AIR CAP RING Blue	52.00	14018200	PC 12 SUCTION CUP 1 lt.		103.40
2 + 2-1	see table on left page	FLUID NOZZLE + FLUID NEEDLE SET	232.40	930356A0	REPAIRING KIT includes: needle packing set (3), air valve seat set (5), air valve (6), air valve spring (7), fluid adj. guide set (8), needle spring set (9), air valve shaft (11), trigger stud set (14).		166.10
3	93810620	NEEDLE PACKING SET	35.70	14375800	"L" ROTATING AIR HOSE JOINT		26.60
4	93011630	PATTERN ADJUSTMENT	51.20	W-200-X1	QUICK FAN PATTERN ADJUSTMENT		186.70
5	93001640	AIR VALVE SEAT SET	37.50	93895611	PUSH-PULL PATTERN ADJUSTMENT SET		186.70
6	93001690	AIR VALVE	25.60	93018430	LOCK FLUID ADJUSTMENT		58.10
7	93001700	AIR VALVE SPRING	14.50	93018420	LOCK PATTERN ADJUSTMENT		123.10
8	93012630	FLUID ADJUSTMENT GUIDE SET	41.60	93280082	SPANNER for Lock Fluid Adj. & Lock Pattern Adj.		6.80
9	93002820	NEEDLE SPRING SET	23.00	W2COM5052	FLUID TUBE 3/8" Stainless Steel		62.40
10	93012650	FLUID ADJUSTMENT KNOB	16.60	001004050	TWIN HOSE (Air and Fluid) 1/4"-1/4" - 5 m		95.10
11	93001790	AIR VALVE SHAFT	22.40	001004075	TWIN HOSE (Air and Fluid) 1/4"-1/4" - 7.5 m		116.50
12	93012660	AIR ADJUSTMENT SET	42.40	001004100	TWIN HOSE (Air and Fluid) 1/4"-1/4" - 10 m		142.20
13	93014500	TRIGGER SET	29.30				
14	93013810	TRIGGER STUD	8.60				

# W-200 INTEGRA FT - HIGH QUALITY

## FEATURES



Standard Technology



High Transfer Efficiency



Lower Noise Level



Easy Maintenance



Ergonomic Design



Lightweight

**W-200** INTEGRA



High Quality New Generation Suction Spray Gun, born from the renewed design of previous W-200 version, it's the result of a perfect harmony between experience and technology, equipped with traditional Flat Tip Nozzle, is special for industrial applications.

## TECHNICAL DATA

• Air Nipple: G1/4" • Fluid Nipple: G3/8"

model name	ø mm	cap	bar*	ml/min	NI/min	mm (in)
W-200FT-14S	1.4	LV2	2.0 ~ 2.5	240	240 ~ 300	260
W-200FT-15S	1.5	K2			290	220 ~ 275
W-200FT-18S	1.8			R2		350
W-200FT-20S	2.0	W1		440		
W-200FT-25S	2.5					

\*Suggested gun inlet pressure during spraying.

## ORDER INFORMATION

	ø 1,4	ø 1,5	ø 1,8	ø 2,0	ø 2,5	€
W-200 INTEGRA - Spray Gun Only	130473A0	130474A0	130475A0	130476A0	130477A0	<b>418.30</b>
W-200 INTEGRA - With PCL-10B3 Cup	130480A0	130481A0	130482A0	130483A0	130484A0	<b>487.50</b>
W-200 INTEGRA - With PC-12 Cup	130487A0	130488A0	130489A0	130490A0	130491A0	<b>473.50</b>
<b>AIR CAP SET</b>	LV2 93017350	K2 93011710		R2 93011790	W1 93011820	<b>117.90</b>
<b>FLUID NOZZLE &amp; NEEDLE SET</b>	93017370	93011680	93011730	93011740	93011810	<b>119.50</b>

## SET OPTIONS & CONTENTS

### CARTON BOX - A

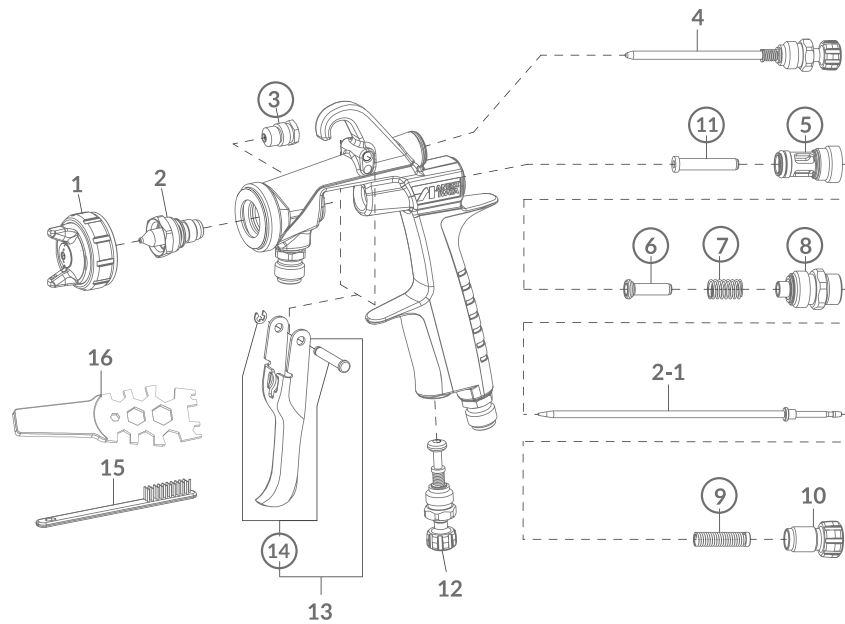


W-200 INTEGRA FT  
PCL-10B3 CUP - 1L  
Universal Spanner

### CARTON BOX - B



W-200 INTEGRA FT  
PC-12 - 1L  
Universal Spanner



## OPTIONS & ACCESSORIES:

**LOCK PATTERN ADJUSTMENT**



**LOCK FLUID ADJUSTMENT**



**SPANNER for Lock Fluid Adjustment & Lock Pattern Adjustment**



**FLUID TUBE 3/8" in Stainless Steel**



**"L" ROTATING AIR HOSE JOINT**



## OPTION AND ACCESSORIES

REF.	CODE	DESCRIPTION	€	CODE	DESCRIPTION	REF.	€
				W2COM6163	BRUSHES (5 PCS/1PK)	15	13.20
1	see table on left page	AIR CAP SET	117.90	930171A0	UNIVERSAL SPANNER	16	9.40
1-1	93017700	CAP COVER PACKING SET	11.90	14018621	PCL-10 B3 LEVER LOCK SUCTION CUP 1 lt.		84.00
1-2	93011560	AIR CAP RING Silver	46.90	14018200	PC 12 SUCTION CUP 1 lt.		103.40
2 + 2-1	see table on left page	FLUID NOZZLE + FLUID NEEDLE SET	119.50	930356A0	REPAIRING KIT includes: needle packing set (3), air valve seat set (5), air valve (6), air valve spring (7), fluid adj. guide set (8), needle spring set (9), air valve shaft (11), trigger stud set (14).		166.10
3	93810620	NEEDLE PACKING SET	35.70	14375800	"L" ROTATING AIR HOSE JOINT		26.60
4	93011630	PATTERN ADJUSTMENT	51.20	W-200-X1	QUICK FAN PATTERN ADJUSTMENT		186.70
5	93001640	AIR VALVE SEAT SET	37.50	93895611	PUSH-PULL PATTERN ADJUSTMENT SET		186.70
6	93001690	AIR VALVE	25.60	93018430	LOCK FLUID ADJUSTMENT		58.10
7	93001700	AIR VALVE SPRING	14.50	93018420	LOCK PATTERN ADJUSTMENT		123.10
8	93012630	FLUID ADJUSTMENT GUIDE SET	41.60	93280082	SPANNER for Lock Fluid Adj. & Lock Pattern Adj.		6.80
9	93002820	NEEDLE SPRING SET	23.00	W2COM5052	FLUID TUBE 3/8" Stainless Steel		62.40
10	93012650	FLUID ADJUSTMENT KNOB	16.60	001004050	TWIN HOSE (Air and Fluid) 1/4"-1/4" - 5 m		95.10
11	93001790	AIR VALVE SHAFT	22.40	001004075	TWIN HOSE (Air and Fluid) 1/4"-1/4" - 7.5 m		116.50
12	93012660	AIR ADJUSTMENT SET	42.40	001004100	TWIN HOSE (Air and Fluid) 1/4"-1/4" - 10 m		142.20
13	93014500	TRIGGER SET	29.30				
14	93013810	TRIGGER STUD	8.60				

# W-400 CLASSIC PLUS - HIGH QUALITY

## FEATURES



Standard Technology



High Transfer Efficiency



Lower Noise Level



Easy Maintenance



Ergonomic Design



Lightweight

**Classic**  
plus



High Quality VOC-Compliant Professional Spray Gun for Car Refinish Basecoat applications. Fine atomization.

## TECHNICAL DATA

• Air nipple: G1/4" • Fluid nipple: M16 x 1.5 mm

model name	ø mm	cap	bar*	ml/min	NI/min	mm (in)
W-400-082G	0.8	LV2	2.0	60	280	80
W-400-102G	1.0			95		150
W-400-122G	1.2			100		175
W-400-132G	1.3			160		225
W-400-142G	1.4			210		255
W-400-162G	1.6			240		270
W-400-182G	1.8	LV1	3.0	320	290	260
W-400-202G	2.0	R2		460	360	320
W-400-251G	2.5	W1		360		340

\*Suggested gun inlet pressure during spraying.

## ORDER INFORMATION

	ø 0,8	ø 1,0	ø 1,2	ø 1,3	ø 1,4	€
W-400 PRO KIT	13241401P	13241402P	13241403P	13241404P	13241405P	426.40
AIR CAP SET (LV2)	93830610B					113.10
FLUID NOZZLE & NEEDLE SET	93889610	93880610	93823610-	93881610	-	115.80
FLUID NOZZLE & NEEDLE SET	-	-	-	-	93831610	116.30

## ORDER INFORMATION

	ø 1,6	ø 1,8	ø 2,0	ø 2,5	€
W-400 PRO KIT	13241406P	13241407P	13241408P	13241409P	426.40
AIR CAP SET	LV2 93830610B	LV1 93859611	R2 93814610B	W1 93813610B	118.60
FLUID NOZZLE & NEEDLE SET	93832610	93821610	-	93819610	115.80
FLUID NOZZLE & NEEDLE SET	-	-	93011740	-	116.30

## SET OPTIONS & CONTENTS

### PRO KIT CARTON BOX



W-400 Classic Plus Spray Gun  
PCG 6 PE CUP - 600 ml  
Cleaning Brushes - Universal Spanner



# AZ3 HTE2 AV - STANDARD QUALITY

## FEATURES



Standard Technology



Easy Maintenance



Reliable



Made in Italy

Standard Quality Spray Gun for industrial applications. Ideal for high viscosity coatings.

## TECHNICAL DATA

• Air nipple: G1/4" • Fluid nipple: G1/4"

model name	ø mm	cap	bar*	ml/min	NI/min	mm (in)	
AZ3 HTE 2 AV	1.0	10-15 HTE	2.0	80	200	180	
	1.3			140		240	
	1.5			160		260	
	1.8	18-20 HTE		250	215	300	
	2.0			300		340	
	2.5			25 HTE	3.0	450	280
	2.8	28-30 HTE	540	300		380	
	3.0		560			400	
	3.5		35 HTE			600	

\*Suggested gun inlet pressure during spraying.



**HTE**  
HIGH TRANSFER  
EFFICIENCY

**SPECIAL WRENCH  
ACCESSORIES**



## ORDER INFORMATION

	ø 1,0	ø 1,3	ø 1,5	ø 1,8	ø 2,0	€
AZ3 HTE 2 AV with 600 ml CUP	W0SPG81AG10C	W0SPG81AG13C	W0SPG81AG15C	W0SPG81AG18C	W0SPG81AG20C	126.20
AIR CAP SET (LV2)	W2CAP80AG15			W2CAP80AG18		35.80
FLUID NOZZLE & NEEDLE SET	W2010133500	W2010133600	W2010133700	W2010133800	W2010133900	27.10

## ORDER INFORMATION

	ø 2,5	ø 2,8	ø 3,0	ø 3,5	€
AZ3 HTE 2 AV with 600 ml CUP	W0SPG81AG25C	W0SPG81AG28C	W0SPG81AG30C	W0SPG81AG35C	126.20
AIR CAP SET	W2CAP80AG25	W2CAP80AG30		W2CAP80AG35	35.80
FLUID NOZZLE & NEEDLE SET	W2010134000	W2010134300	W2010134100	W2010134200	27.10

## SET OPTIONS & CONTENTS

### CARTON BOX



AZ3 HTE2 AV Spray Gun  
PCG-6P-2B AZ CUP - 600 ml

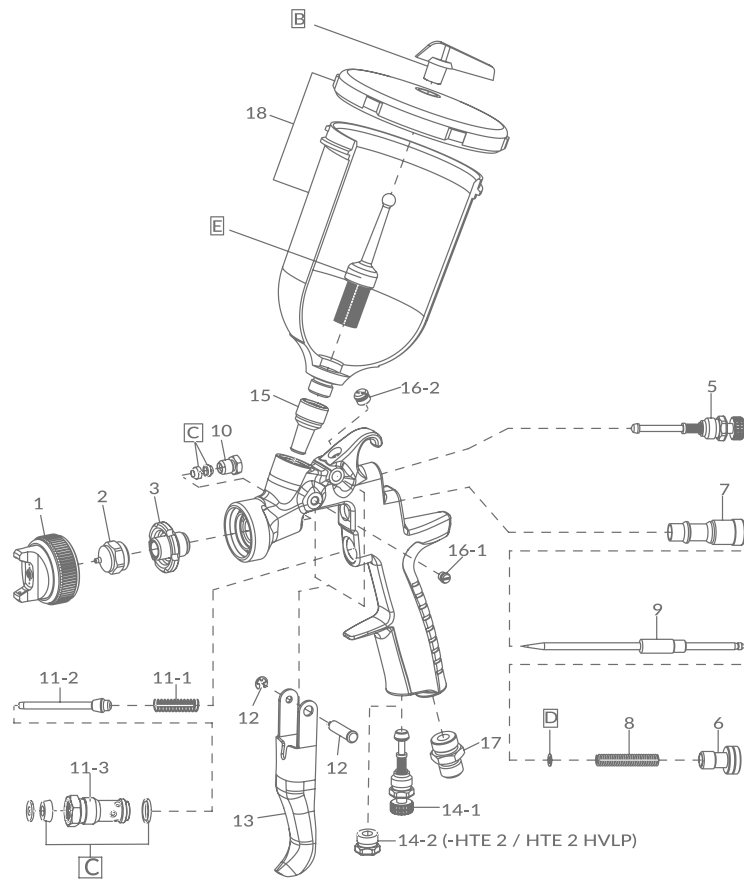
# SPARE PARTS



Air Gun  
ANEST IWATA Group

AZ3 HTE2 AV

**PCG-6B 2B-AZ**  
GRAVITY CUP  
600 ml



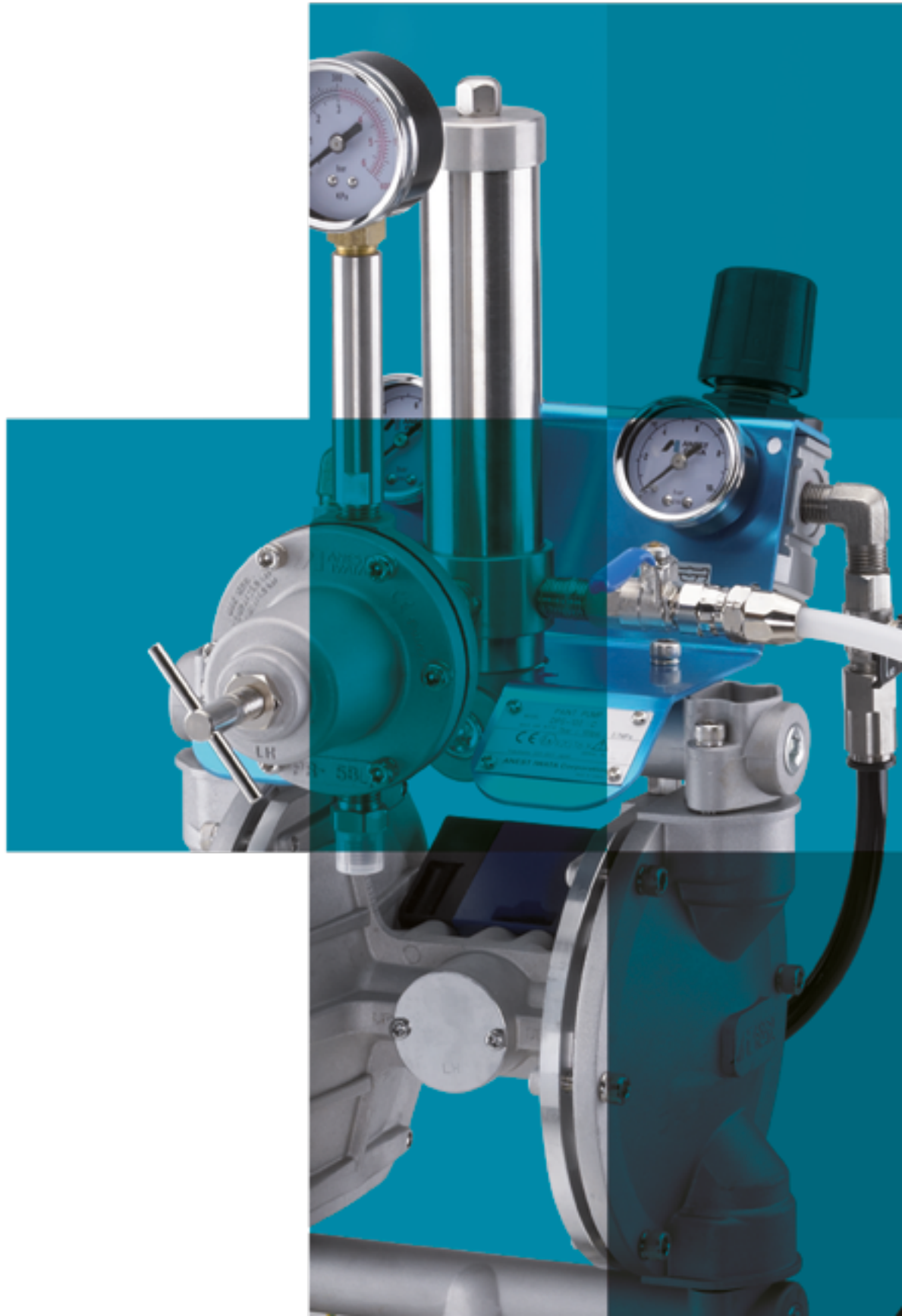
REF.	CODE	DESCRIPTION	€	REF.	CODE	DESCRIPTION	€
1	see table on left page	AIR CAP SET	35.80	17	W2COM5000	AIR NIPPLE	3.80
2+9	see table on left page	FLUID NOZZLE + FLUID NEEDLE SET	27.10	C	W2KIT56	PACKING SET (3 pcs./1 pk.)	5.70
3	W2010140200	NOZZLE HOLDER	8.70	D	W2KIT33	SLIDE RING SET (10 pcs./1 pk.)	12.30
5	93842601	PATTERN ADJ. SET	43.70	18	W0012820100	PCG-6P-2B-AZ GRAVITY CUP 600 ml	16.70
6	W2010141000	FLUID NEEDLE ADJ. KNOB	2.50	B	W2KIT07	NON DRIP SET (5 pcs./1 pk.)	7.20
7	W2010140900	FLUID NEEDLE GUIDE	3.90	E	W2KIT06	FILTER SET 50 Mesh (297µ) (5 pcs./1 pk.)	23.40
8	W2010140800	FLUID NEEDLE SPRING	2.60				
10	W2010140600	FLUID NEEDLE PACKING NUT	2.80				
11	W2010120100	AIR VALVE SET	9.90				
11-1	W2010141700	AIR VALVE SPRING	2.00				
11-2	W2010130600	AIR VALVE	3.30				
11-3	W2010130500	AIR VALVE SEAT	5.70				
12	W2COM4001	TRIGGER STUD	4.60				
13	W2COM6051	TRIGGER	6.90				
14-1	93845531	AIR ADJ. SET	45.50	<b>OPTION AND ACCESSORIES</b>			
14-2	93625371	PLUG	46.40	<b>CODE</b>	<b>DESCRIPTION</b>	<b>€</b>	
15	W2013040100	THREADED BUSHING	2.50	W2KIT55UK	CLEANING KIT	81.80	
16-1	W2COM5004	SCREW	0.70	VPACA3H2	BLACK PLASTIC CASE (for 1 SPRAY GUN and 1 CUP)	37.20	
16-2	W2COM6050	PLUG	2.00	W2503500100	SPECIAL WRENCH	52.30	



# 3

PAINT SUPPLY  
SYSTEM

LOW PRESSURE  
EQUIPMENTS



# DPS-120C and DPS-90G PAINT PUMPS

## FEATURES



Diaphragm Paint Pumps for low pressure applications are ideally suited to Car Refinish and General Industry sector requirements. Fully pneumatic pump control with double spool air circuit. Available in 3 different versions (Aluminium; Aluminium Anodized and Stainless Steel).



## TECHNICAL DATA

		DDP-120B.TE	DDP-90F.TE
Ratio		1:1	
Paint Filter	Delivery Paint Filter	100 mesh	
	Fluid Suction Filter	50 mesh	
Max. Working Pressure		7.0 bar (0.7 MPa)	
Working Temperature		5~40 °C	
Fluid Output	at 30 cyc./min.	4.5 lt./min	1.5 lt./min
	at 200cyc./min. max	30 lt./min	10 lt./min
Paint Viscosity		85 sec./Ford#4	

PUMP UNIT  
DDP-120B.TE



PUMP UNIT  
DDP-90F.TE



PAINT PRESSURE  
REGULATOR  
PR-5BL



## PUMP UNITS ASSEMBLY



On Stand



On Tank Mount



On Cart with Handle



On Wall Mount



On Cart with Hopper Set (6lt.)

# DPS-120C and DPS-90G



## ORDER INFORMATION

CONFIGURATION	CODE	MODEL	€	CODE	MODEL	€
<b>ALUMINIUM</b>	<b>DPS-120 C</b>			<b>DPS-90 G</b>		
PUMP UNIT	14068690	DDP-120B.TE	<b>1 265.10</b>	14068660	DDP-90F.TE	<b>984.90</b>
PUMP UNIT supplied on Stand	14069030	DPS-1201C.TE	<b>2 166.10</b>	14069000	DPS-901G.TE	<b>2 021.70</b>
PUMP UNIT supplied on Tank Mount	14069110	DPS-1202C.TE	<b>2 216.50</b>	14069080	DPS-902G.TE	<b>2 093.90</b>
PUMP UNIT supplied on Cart w/Dip Tube	14069190	DPS-1203C.TE	<b>2 535.40</b>	14069160	DPS-903G.TE	<b>2 385.60</b>
PUMP UNIT supplied on Wall Mount	14069270	DPS-1204C.TE	<b>2 272.30</b>	14069240	DPS-904G.TE	<b>2 121.20</b>
PUMP UNIT supplied on Cart w/Hopper Set	14069350	DPS-12036C.TE	<b>2 566.60</b>	14069320	DPS-9036G.TE	<b>2 420.90</b>
PAINT PRESSURE REGULATOR	14608200	PR-5BL	<b>368.80</b>	14608200	PR-5BL	<b>368.80</b>
<b>ALUMINIUM ANODIZED</b>	<b>DPS-120 C-WB</b>			<b>DPS-90 G-WB</b>		
PUMP UNIT	14068710	DDP-120B-WB.TE	<b>1 353.00</b>	14068680	DDP-90F-WB.TE	<b>1 144.50</b>
PUMP UNIT supplied on Stand	14069050	DPS-1201C-WB.TE	<b>2 443.80</b>	14069020	DPS-901G-WB.TE	<b>2 313.20</b>
PUMP UNIT supplied on Tank Mount	14069130	DPS-1202C-WB.TE	<b>2 423.90</b>	14069100	DPS-902G-WB.TE	<b>2 286.00</b>
PUMP UNIT supplied on Cart w/Dip Tube	14069210	DPS-1203C-WB.TE	<b>2 828.20</b>	14069180	DPS-903G-WB.TE	<b>2 695.60</b>
PUMP UNIT supplied on Wall Mount	14069290	DPS-1204C-WB.TE	<b>2 565.50</b>	14069260	DPS-904G-WB.TE	<b>2 429.10</b>
PUMP UNIT supplied on Cart w/Hopper Set	14069370	DPS-12036C-WB.TE	<b>2 711.20</b>	14069340	DPS-9036G-WB.TE	<b>2 580.30</b>
PAINT PRESSURE REGULATOR	14608220	PR-5BL-WB	<b>384.20</b>	14608220	PR-5BL-WB	<b>384.20</b>
<b>STAINLESS STEEL VERSION</b>	<b>DPS-120 CN</b>			<b>DPS-90 GN</b>		
PUMP UNIT	14068700	DDP-120BN.TE	<b>2 434.50</b>	14068670	DDP-90FN.TE	<b>1 781.90</b>
PUMP UNIT supplied on Stand	14069040	DPS-1201CN.TE	<b>3 179.70</b>	14069010	DPS-901GN.TE	<b>2 807.80</b>
PUMP UNIT supplied on Tank Mount	14069120	DPS-1202CN.TE	<b>3 206.90</b>	14069090	DPS-902GN.TE	<b>2 809.10</b>
PUMP UNIT supplied on Cart w/Dip Tube	14069200	DPS-1203CN.TE	<b>3 610.00</b>	14069170	DPS-903GN.TE	<b>3 215.20</b>
PUMP UNIT supplied on Wall Mount	14069280	DPS-1204CN.TE	<b>3 345.80</b>	14069250	DPS-904GN.TE	<b>2 950.80</b>
PUMP UNIT supplied on Cart w/Hopper Set	14069360	DPS-12036CN.TE	<b>3 490.10</b>	14069330	DPS-9036GN.TE	<b>3 102.10</b>
PAINT PRESSURE REGULATOR	14608210	PR-5BLN	<b>590.10</b>	14608210	PR-5BLN	<b>590.10</b>

## ORDER INFORMATION

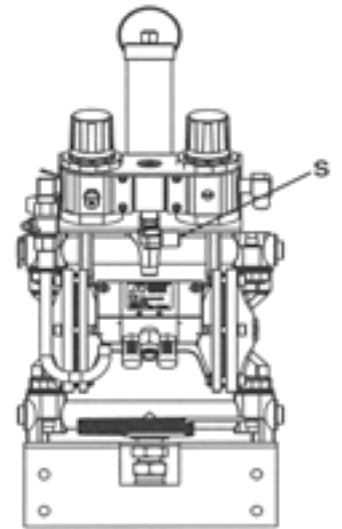
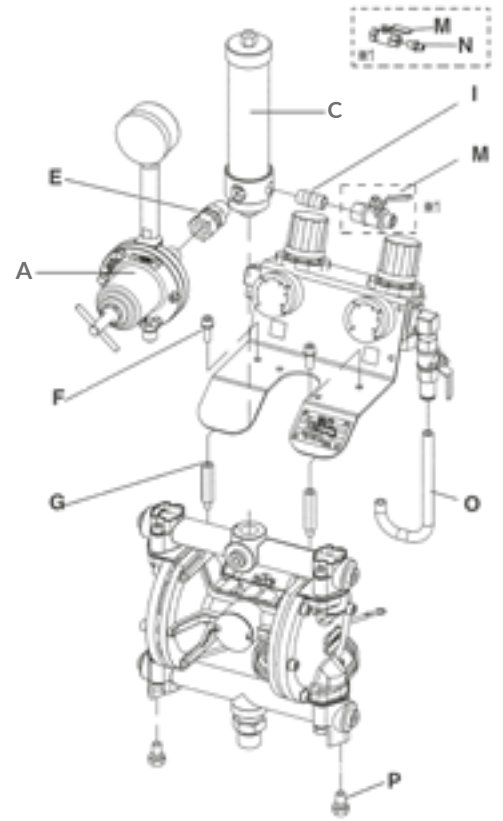
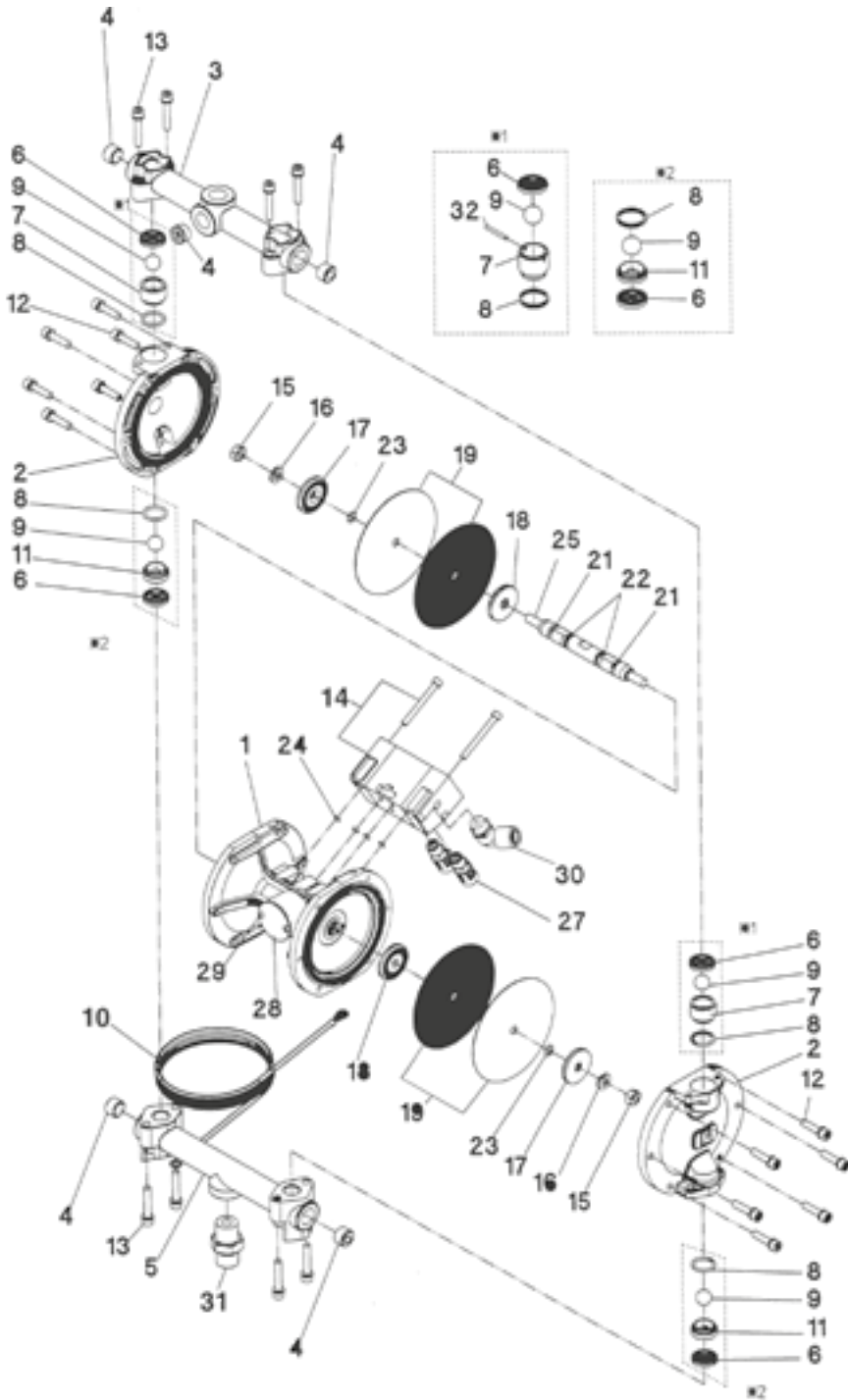
REF.	CODE	DESCRIPTION	FOR MODEL	€
<b>PUMP UNIT CONFIGURATION ACCESSORIES (see next page for drawing reference)</b>				
A	14608200	PAINT REGULATOR SET PR-5BL	for Aluminium	<b>368.80</b>
A	14608220	PAINT REGULATOR SET PR-5BL-WB	for Aluminium Anodized	<b>384.20</b>
A	14068210	PAINT REGULATOR SET PR-5BLN		<b>618.56</b>
C	94493020	PAINT FILTER SET		<b>257.00</b>
E	06859803	SWIVEL JOINT	for DPS 120-1C/-2C/-3C/-4C/-36C_DPS 90-1G/-2G/-3G/-4G/-36G	<b>6.90</b>
E	06859591	SWIVEL JOINT	for DPS 120-1CN/-2CN/-3CN/-4CN/-36CN and -WB_DPS 90-1GN/-2GN/3GN/-4GN/-36GN and -WB	<b>65.70</b>
F	06357501	HEX. SOCKET BOLT WITH WASHER		<b>1.40</b>
G	04493000	CONNECTING BOLT		<b>17.30</b>
I	06642002	NIPPLE		<b>10.60</b>
M	04432650	BALL VALVE		<b>17.50</b>
M	04433630	BALL VALVE	for DPS120-1C/-2C/-3C/-4C/-36C and DPS90-1G/-2G/-3G/-4G/-36G	<b>51.70</b>
N	04343310	JOINT G1/4" R1/4"	for DPS 120-1CN/-2CN/-3CN/-4CN/-36CN and -WB_DPS 90-1GN/-2GN/3GN/-4GN/-36GN and -WB	<b>17.30</b>
O	04494040	PIPE	for DPS 120-1CN/-2CN/-3CN/-4CN/-36CN and -WB_DPS 90-1GN/-2GN/-3GN/-4GN/-36GN and -WB	<b>2.00</b>
P	06994758	WASHER BOLT		<b>1.20</b>
S	06859563	ELBOW UNION	for DPS 120-4C/-4CN and DPS 90-4G/-4GN	<b>17.30</b>



# SPARE PARTS

## PUMP UNIT ACCESSORIES

### PUMP UNIT SPARE PARTS



# SPARE PARTS



REF.	CODE	DESCRIPTION	QTY.	DDP-90F	DDP-90FN	DDP-90F-WB	DDP-120B	DDP-120BN	DDP-120B-WB	€
1	94410622	MAIN BODY		X	X	X				226.90
1	94437632	MAIN BODY					X	X	X	305.80
2	94456582	LID		X						134.00
2	94414592	LID			X					220.30
2	94456640	LID				X				149.50
2	94439631	LID					X			140.20
2	94453660	LID						X		236.90
2	94439650	LID							X	145.70
3	94452640	UPPER ADAPTOR		X			X			138.40
3	94414650	UPPER ADAPTOR			X			X		192.70
3	94452650	UPPER ADAPTOR				X			X	133.10
4	06990413	HEXAGON SOCKET PLUG		X			X			5.10
4	06367202	HEXAGON SOCKET PLUG			X	X		X	X	11.90
5	94441630	LOWER ADAPTOR		X			X			140.20
5	94416592	LOWER ADAPTOR			X			X		209.60
5	94441640	LOWER ADAPTOR				X			X	146.10
6	04935620	PACKING SET	(2 pcs.)	X	X	X				16.40
6	94933290	PACKING SET	(2 pcs.)				X	X	X	23.10
7	04931630	EXHAUST VALVE	(2 pcs.)	X	X	X				58.50
7	94935290	EXHAUST VALVE	(2 pcs.)				X	X	X	74.20
8	04932630	'O'RING SET	(2 pcs.)	X	X	X				6.10
8	94930300	'O'RING SET	(2 pcs.)				X	X	X	4.70
9	04930630	STEEL BALL SET	(2 pcs.)	X	X	X				21.10
9	94934290	STEEL BALL SET	(2 pcs.)				X	X	X	40.80
10	04492830	GROUND WIRE		X	X	X	X	X	X	10.30
11	04933630	INTAKE VALVE	(2 pcs.)	X	X	X				59.40
11	94446630	INTAKE VALVE	(2 pcs.)				X	X	X	63.00
12	96357500	HEX. SOCKET BOLT WITH WASHER		X	X	X	X	X	X	2.50
13	96357502	HEX. SOCKET BOLT WITH WASHER		X	X	X	X	X	X	2.40
14	94490632	AIR OPERATING VALVE SET		X	X	X	X	X	X	196.90
15	06361081	HEX. NUT		X	X	X	X	X	X	1.40
16	06362080	SPRING WASHER		X	X	X	X	X	X	1.50
17	04414600	DIAPHRAGM HOLDER (OUTER)		X	X	X				22.00
17	94448630	DIAPHRAGM HOLDER (OUTER)					X	X	X	23.80
18	94453581	DIAPHRAGM HOLDER (INNER)		X	X	X				15.20
18	94449632	DIAPHRAGM HOLDER (INNER)					X	X	X	33.00
19	94931621	DIAPHRAGM SET	(2+2 pcs.)	X	X	X				90.00
19	94932301	DIAPHRAGM SET	(2+2 pcs.)				X	X	X	109.10
21	06996610	'Y'PACKING		X	X	X	X	X	X	10.60
22	06630011	'O'RING		X	X	X	X	X	X	2.00
23	06630008	'O'RING		X	X	X	X	X	X	1.50
24	06630004	'O'RING		X	X	X				0.80
24	06630006	'O'RING					X	X	X	0.90
25	04431590	ROD		X	X	X	X	X	X	184.00
27	04432590	MUFFLER		X	X	X	X	X	X	4.60
28	04456570	BLANKING COVER		X	X	X	X	X	X	15.20
29	06234002	TAPPING SCREW		X	X	X	X	X	X	0.80
30	06800202	ELBOW UNION		X	X	X	X	X	X	17.30
31	04427640	JOINT		X			X			14.80
31	04428640	JOINT			X	X		X	X	48.90
32	94444630	PIN					X	X	X	4.00



# PAINT PRESSURE TANKS PET SERIES (max.7.0 bar)

## FEATURES



The PET pressure tanks series are a valid system for feeding paint for the spray guns and other pneumatic equipments. The system allows the correct feeding of the fluid output at a stable pressure and it is used for a large amount of applications. Available in three different capacities: 50lt., 30lt. and 10lt, they can be supplied with pneumatic agitator for constant mixing of the product to be dispensed.



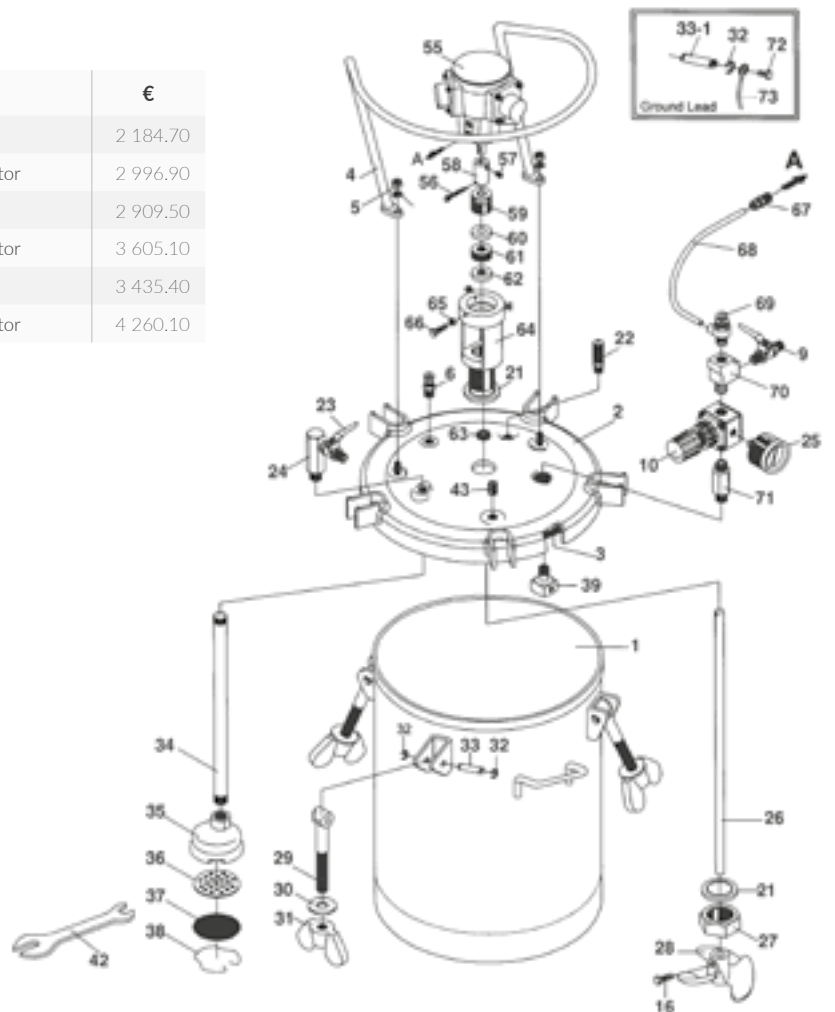
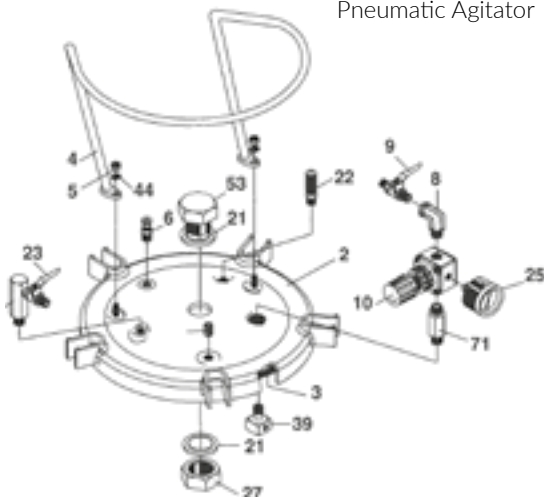
TECHNICAL DATA				
Max. Working Pressure	7.0 bar			
Air Inlet Joint	G 1/4" M			
Fluid Outlet Joint	G 3/8" M			
Working Temperature	5~40 °C			
Mass	PET 10 N	15.3 Kg	PET 10 MN	17.5 Kg
	PET 30 N	20.4 Kg	PET 30 MN	22.6 Kg
	PET 50 N	115.3 Kg	PET 50 MN	28.2 Kg
Dimensions	PET 10 N /-10 MN		540 x 330 mm	
	PET 30 N /-30 MN		710 x 415 mm	
	PET 50 N /-50 MN		810 x 470 mm	

**Model PET MN:**  
version with  
Pneumatic Agitator  
AM-6B

## ORDER INFORMATION

CODE	DESCRIPTION	€
14972600	PET-10 N PRESSURE TANK 10 lt.	2 184.70
14972620	PET-10 MN PRESSURE TANK 10 lt. w/pneumatic agitator	2 996.90
14972630	PET-30 N PRESSURE TANK 30 lt.	2 909.50
14972650	PET-30 MN PRESSURE TANK 30 lt. w/pneumatic agitator	3 605.10
14972660	PET-50 N PRESSURE TANK 50 lt.	3 435.40
14972680	PET-50 MN PRESSURE TANK 50 lt. w/pneumatic agitator	4 260.10

**Model PET N:**  
version without  
Pneumatic Agitator



# SPARE PARTS



REF.	CODE	DESCRIPTION	10N	10MN	30N	30MN	50N	50MN	€
3	04015110	LID PACKING	X	X					30.60
3	04015240	LID PACKING			X	X			40.60
3	04016170	LID PACKING					X	X	65.00
4	04015250	HANDLE			X	X			145.00
4	04019250	HANDLE	X	X					104.10
4	04016180	HANDLE					X	X	187.30
5	04015140	HEXAGON NUT	X	X	X	X	X	X	0.80
6	04015150	EXHAUST VALVE	X	X	X	X	X	X	13.20
8	04015460	ELBOW	X		X		X		9.60
9	04015170	TWO WAY VALVE (Air Inlet )	X	X	X	X	X	X	16.60
10	94015180	AIR PRESSURE REGULATOR	X	X	X	X	X	X	83.10
16	04019040	HEAD BOLT		X		X		X	1.30
21	04019100	SEALING RING	X	X	X	X	X	X	10.00
22	04002211	SAFETY VALVE	X	X	X	X	X	X	--
23	04015450	TWO WAY VALVE (Fluid outlet)	X	X	X	X	X	X	54.80
24	04015470	FLUID OUTLET ADAPTER	X	X	X	X	X	X	40.60
25	04016190	PRESSURE GAUGE	X	X	X	X	X	X	16.90
26	04016400	ROD + COUPLING (56+57+58)		X					65.00
26	04016410	ROD + COUPLING (56+57+58)				X			77.50
26	04016420	ROD + COUPLING (56+57+58)						X	101.20
27	04019120	FIXING NUT	X	X	X	X	X	X	38.00
28	04016430	PROPELLER		X		X		X	18.10
29	04015490	SWING BOLT	X	X	X	X	X	X	35.00
30	04016200	WASHER	X	X	X	X	X	X	4.40
31	04016210	THUMB NUT	X	X	X	X	X	X	40.60
32	94020220	E-STOPPER	X	X	X	X	X	X	1.30
33	94020230	PIN	X	X	X	X	X	X	4.90
33-1	04016440	PIN (SUS)	X	X	X	X	X	X	6.70
34	04016450	SUCTION PIPE	X	X					69.10
34	04016460	SUCTION PIPE			X	X			84.50
34	04016470	SUCTION PIPE					X	X	109.40
35	04015270	FILTER COVER			X	X	X	X	17.40
35	04016260	FILTER COVER	X	X					13.20
36	04015280	FILTER BASE			X	X	X	X	5.30
36	04016270	FILTER BASE	X	X					4.40
37	04015290	FILTER (40 Mesh)			X	X	X	X	5.30
37	04016280	FILTER (40 Mesh)	X	X					4.40
38	04015300	FILTER STOPPER			X	X	X	X	5.30
38	94016290	FILTER STOPPER	X	X					4.30
39	94016310	AIR FLOW GUIDE	X	X	X	X	X	X	15.70
43	06990412	HEX. SOCKET SCREW			X	X	X	X	7.90
44	06500804	SPRING WASHER	X	X	X	X	X	X	1.10
53	04016480	HEAD BOLT	X		X		X		101.20
55	AM-6B	PNEUMATIC AIR MOTOR		X		X		X	526.30
59	04017410	PACKING SEAT		X		X		X	19.40
60	04017420	"V" PACKING FEMALE ADAPTOR		X		X		X	5.60
61	04017430	"V" PACKING		X		X		X	14.50
62	04017440	"V" PACKING MALE ADAPTOR		X		X		X	5.60
63	04017450	O-RING		X		X		X	4.40
64	04017460	AIR MOTOR SUPPORT		X		X		X	263.50
65	04017470	HEX. NUT		X		X		X	0.70
66	04017480	HEAD BOLT		X		X		X	2.70
67	04017490	QUICK COUPLING		X		X		X	6.30
68	04018100	AIR HOSE		X		X		X	9.20
69	04018110	SPEED CONTROLLER		X		X		X	36.90
70	04018120	ADAPTER		X		X		X	8.00
71	04018130	ADAPTER	X	X	X	X	X	X	18.10
72	04018140	SCREW	X	X	X	X	X	X	0.70
73	04018150	GROUND WIRE	X	X	X	X	X	X	4.80



# PAINT PRESSURE TANK PET10 (max.4.0 bar)

## FEATURES



Easy  
Maintenance



Stainless  
Steel



Easy  
Cleaning

The PET10 Pressure Tank is a valid system for feeding paint for the spray guns and other pneumatic equipments. The system allows the correct feeding of the fluid output at a stable pressure and it is used for a large amount of applications.

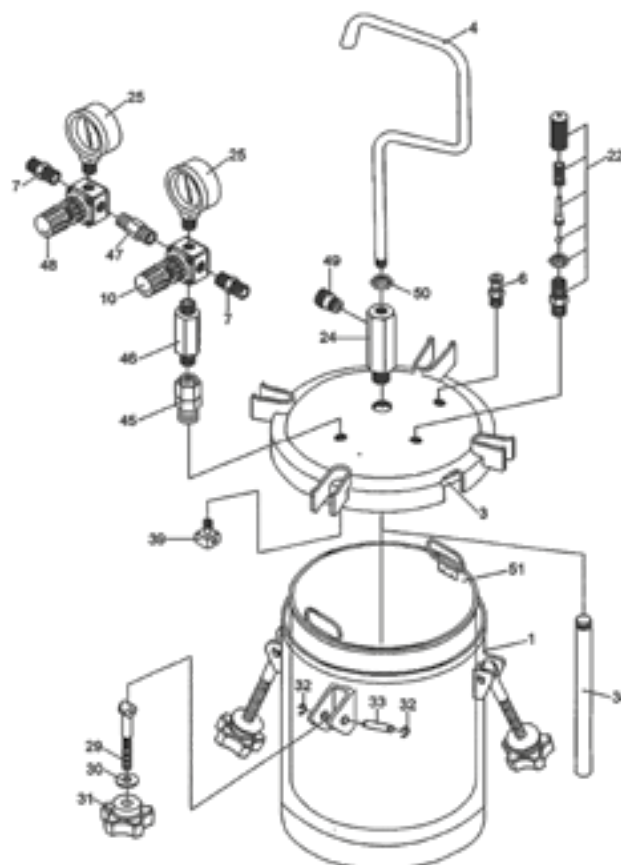
## TECHNICAL DATA

Max. Working Pressure	4.0 bar
Air Inlet Joint	G 1/4" M
Fluid Outlet Joint	G 3/8" M
Working Temperature	5-40 °C
Tank Capacity	10 lt.
Inner Tank Capacity	8.5 lt. (in Stainless Steel)
Mass	11kg
Dimensions	310x310x565 mm



## ORDER INFORMATION

REF.	CODE	DESCRIPTION	€
	14972400	PET-10 PRESSURE TANK 10 lt.	<b>848,30</b>
3	94020200	LID PACKING	34,50
4	94020020	HANDLE	27,10
6	94020030	EXHAUST VALVE	12,90
7	94020210	AIR INLET JOINT / OUTLET JOINT G1/4"	11,20
10	94008260	PRESSURE REGULATOR (FOR TANK)	84,40
22	94016391	SAFETY VALVE	27,10
24	94020040	FLUID OUTLET CONNECTING JOINT SUS 303	35,90
25	94016020	PRESSURE GAUGE	25,20
29	94020190	HANDLE BOLT	7,50
30	94020060	WASHER	1,60
31	94020070	THUMB NUT	35,90
32	94020220	C-SNAP RING	1,60
33	94020230	STUD	4,90
34	94020090	SUCTION PIPE SUS 303	57,30
39	94016310	AIR FLOW GUIDE	14,60
45	94020100	ADAPTER	14,60
46	94020110	ADAPTER	15,80
47	94020120	ADAPTER	6,90
48	94020130	PRESSURE REGULATOR (FOR GUN)	79,50
49	94020140	FLUID OUTLET JOINT SUS 303 3/8"	12,90
50	94020160	NUT	1,60
51	94020170	INNER TANK SUS 304	293,30



# PRESSURIZED CONTAINER

## PC-18D (max.3.5 bar)



### FEATURES



Easy Maintenance



Stainless Steel



Easy Cleaning

The small Paint Pressurized Container PC-18D in Aluminum, offers a faster application as it retains a large volume of paint inside (2 lt.), it is also equipped with a pressure gauge and a fluid pressure regulator for an accurate setting of the material flow rate.

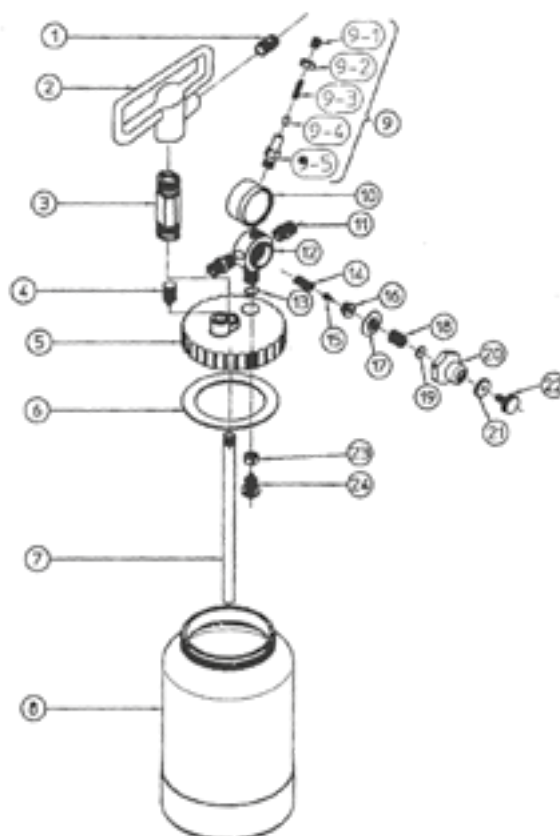


### TECHNICAL DATA

Max. Working Pressure	3.5 bar
Air Inlet Joint	G 1/4"
Fluid Outlet Joint	G 3/8"
Working Temperature	5~40 °C
Tank Capacity	2 lt.

### ORDER INFORMATION

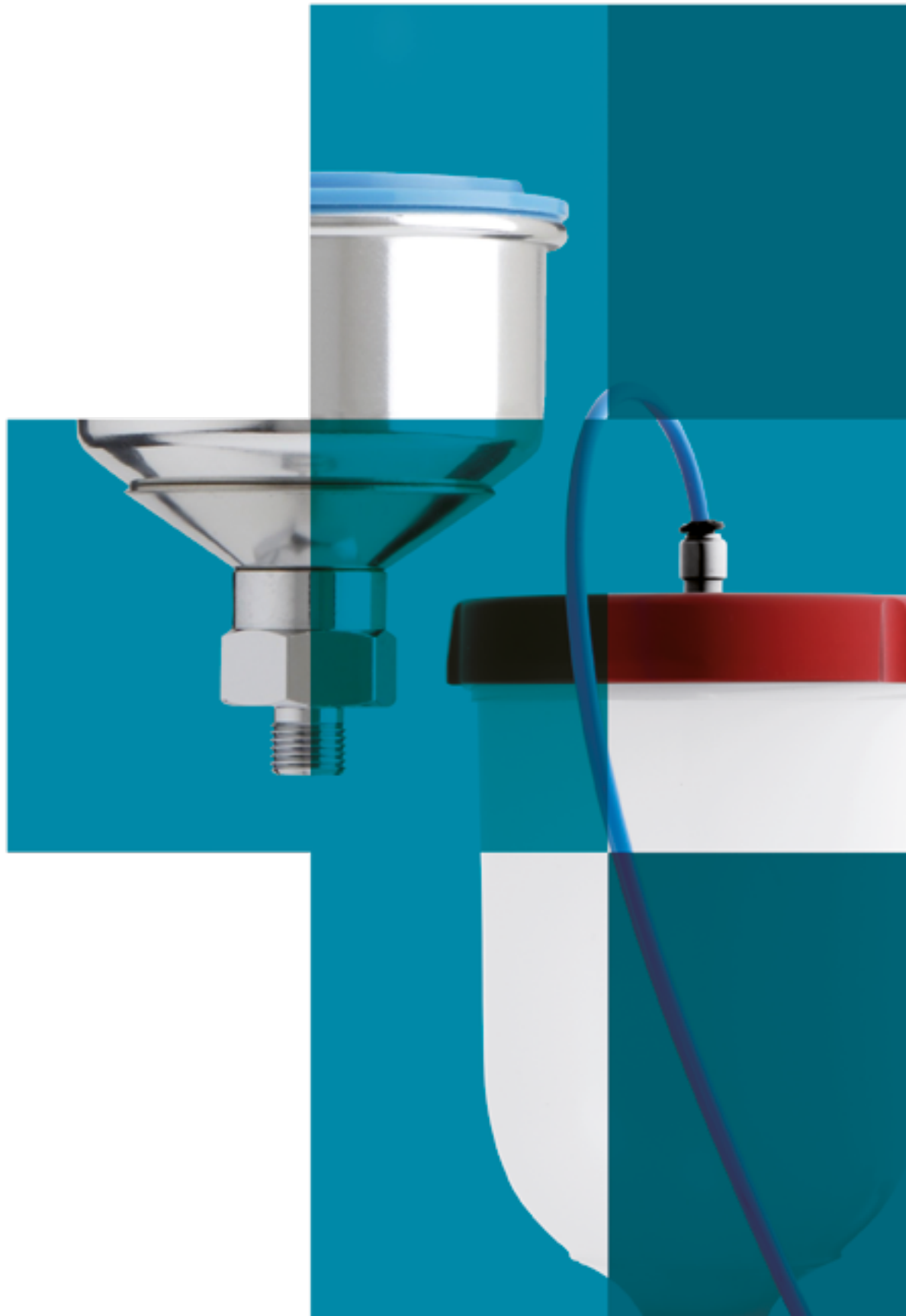
REF.	CODE	DESCRIPTION	€
	14018900	PC-18D PRESSURIZED CONTAINER	522.00
1	94056350	FLUID JOINT	41.20
2	94055350	HANDLE	75.30
3	94057350	HANDLE JOINT	31.20
4	94003350	AIR RELEASE VALVE	9.40
5	94053350	LID	226.00
6	94900210	LID PACKING (2 pcs./1 pk.)	6.90
7	94001350	SUCTION PIPE	18.10
8	94000351	CONTAINER SET	308.40
9	94007350	SAFETY VALVE	38.10
9-1	04012350	PLUG	5.90
9-2	04011350	NUT	9.80
9-3	04010350	SAFETY VALVE SPRING	5.50
9-4	04009350	SAFETY VALVE SPRING SEAT	6.50
9-5	04008350	SAFETY VALVE BODY	19.00
10	94048400	PRESSURE GAUGE	81.70
11	94027350	JOINT	15.70
12	94049350	AIR REGULATOR BODY SET	220.40
13	06631012	'O'RING	1.50
14	04016350	SPRING	5.80
15	04017350	REGULATOR SEAT	10.00
16	04018350	GUIDE	12.50
17	04019350	DIAPHRAGM SET	21.80
18	04023350	DIAPHRAGM SET SPRING	4.90
19	04038350	SPRING HOLDER	22.50
20	94074350	CAP	32.00
21	04025350	NUT	7.40
22	04026350	KNOB	11.90
23	94058350	NUT	7.50
24	94069350	VALVE	73.70





CUPS  
FILTERS  
& ADAPTERS





## GRAVITY CUPS

Central 600 ml [ORDER INFORMATION](#)

MODEL	CODE	CONNECTION	Available for	€
PC-G600P-2	140081A0	G1/4" (PF1/4")	WS-400 - LS-400 - W300 WB (opt.) LPH-300	67.90
PCG-6P-2-AZ	WOCUPAZ90	G1/4" (PF1/4")	AZ3 HTE 2 - AZ3 HTE-S Impact	45.50
PCGP-6P-2B-AZ	WOCUPAZ85	G1/4" (PF1/4")	AZ3 HTE P.A.S. Concept	114.40
PCG-6-PE	14011001	M16 x 1.5F	W-400 Classic Series	63.70
PCG-6P-2B-AZ	W0012820100	G1/4" (PF1/4")	AZ3 HTE 2	16.70

Central 250 ml [ORDER INFORMATION](#)

MODEL	CODE	CONNECTION	Available for	€
PCG-3P-1	VPE 250	G1/8" (PF1/8")	LPH-80 (opt.)	17,10

Central 200 ml [ORDER INFORMATION](#)

MODEL	CODE	CONNECTION	Available for	€
PCG-2P-2	WOCUPAZ40IN	G1/4" (PF1/4")	W300 WB - LPH-300 (opt.) AZ4 HTE-S Impact Junior	43.20
PCG-2P-2B-AZ	WOCUPAZ40	G1/4" (PF1/4")	AZ40 HTE	18.60



## Central 70 ml [ORDER INFORMATION](#)



MODEL	CODE	CONNECTION	Available for	€
PCG-1P-1	13678980	G1/8" (PF1/8")	LPH-80	24.10
PCG-1P-1B-AZ	W0012320100	G1/8" (PF1/8")	AZ5	9.30
PCG-1P-2	13001200	G1/4" (PF1/4")	AZ4 HTE-S Impact Junior	24.10



## Side 200 ml & 130 ml [ORDER INFORMATION](#)

MODEL	CODE	CONNECTION	CAPACITY	Available for	€
PCG-52 AG	14018186F	G1/4" (PF1/4")	200 ml	RG-3L	40.80
PC-61	14018190	G1/4" (PF1/4")	130 ml	RG-3L - LPH-50	78.40



## Paint Filters 60 mesh (250µ) [ORDER INFORMATION](#)

CODE	SIZE	Available for	€
94011240	60 mesh (250 µ)	WS-400 (600 ml) - LS-400 (600 ml) - W-300 WB (opt.)	3.00
03515500	60 mesh (250 µ)	W-400 Classic Series (600 ml) (5 pcs.)	2.40
W2KIT06	60 mesh (250 µ)	W-300 WB (200 ml) - LPH-300 (opt.) - AZ3 HTE2 (600 ml) AZ3 HTE S Impact (600 ml) (5 pcs.)	23.40



## 3M PPS 2.0 ADAPTERS [ORDER INFORMATION](#)

CODE	MODEL	TYPE	AVAILABLE FOR	€
960075A0	<b>CUPS ADAPTORS 3M PPS 2.0</b>	S6	W-300 - LPH-300	56.90
960074A0		S2	W-400 - LPH-400	56.90
960059A0		S43	WS-400 - LS-400 - AZ3 HTE2 - AZ3 HTE S Impact	56.90
960076A0		S31	LPH-80	56.90

### 3M PPS 2.0 ADAPTER



## ALUMINIUM GRAVITY CUPS

Central 1 liter [ORDER INFORMATION](#)

MODEL	CODE	CONNECTION	Available for	€
PCG10EM	VAIU6034E	M16 x 1.5F	W-400 Series	64.20
PCG10D	VAIU6038	G1/4" (PF1/4")	WS-400 - LS-400 W-300 WB - LPH-300	64.30

Central 700 ml [ORDER INFORMATION](#)

MODEL	CODE	CONNECTION	Available for	€
PCG7D-2	VAIU6032D	G1/4" (PF1/4")	WS-400 - LS-400 W-300 WB - LPH-300	59.40
PCG7EM	VAIU6033E	M16 x 1.5F	W-400 Serie	59.40



## Central 400 ml

MODEL	CODE	CONNECTION	Available for	€
PCG4D-2	VAIU6031D	G1/4" (PF1/4")	WS-400 - LS-400 W-300 WB - LPH-300	53.80

Central 150 ml [ORDER INFORMATION](#)

MODEL	CODE	CONNECTION	Available for	€
PCG2D-2	VAIU6030D	G1/4" (PF1/4")	WS-400 - LS-400 W-300 WB - LPH-300	51.30
PCG2B-1	VAIU6036D	G1/8" (PF1/8")	LPH-80	51.30



## Central 70 ml

MODEL	CODE	CONNECTION	Available for	€
PCG2D-1	VAIU6050	G1/8" (PF1/8")	LPH-80	39.00



## HIGH T.E.C. UNDER GUN FILTERS for PRESSURE SPRAY GUNS

CODE	DESCRIPTION	QTY.	€
<b>FILTER HOUSING: in Derlin material for solvent and water based paint</b>			
VLA006225	HIGH T.E.C. FILTER HOUSING	F 3/8"-M 3/8"	39.00
VLA62251414	HIGH T.E.C. FILTER HOUSING	F 1/4"-M 1/4"	39.00
VLA62251438	HIGH T.E.C. FILTER HOUSING	F 3/8"-M 1/4"	39.00
<b>FILTER: in Polyamide (PA) plain weave PLASTIC BODY: in Polypropylene (PP)</b>			
VLA6225340	UNDERGUN FILTER	WHITE	3.80
VLA6225100	UNDERGUN FILTER	BLUE	3.80
VLA6225052	UNDERGUN FILTER	GREEN	3.80



high  
**T.E.C.**  
Transfer Efficiency Control

# GRAVITY & SUCTION CUPS



## BLACK GRAVITY CUPS for UV CURED PAINT



MODEL	CODE	CONNECTION	Cty	Available for	€
UV CUP	W0CUPAZ91	G1/4" (PF1/4")	600 ml	AZ3 HTE Impact	46.60
PCG-6P-M-S1	13000330	G1/4" (PF1/4")	600 ml	W-400 Serie - LPH-400	64.90
PCG-2P-2-S1	140025A0	G1/4" (PF1/4")	200 ml	W-300 WB UV	38.80
PCG-1P-1-S1	13000230	G1/8" (PF1/8")	70 ml	LPH-80	24.80

## SUCTION CUPS for MANUAL SPRAY GUNS

### Central 1 liter [ORDER INFORMATION](#)

MODEL	CODE	CONNECTION	Available for	€
PC-12	14018200	G3/8" (PF3/8")	W-200 INTEGRA - W-77	103.40
PC1	14018000	G3/8" (PF3/8")	W-200 - W-77	111.00
PCL 10B3	14018621	G3/8" (PF3/8")	W-200 INTEGRA - W-77	84.00
PC19 B	14018151	G3/8" (PF3/8")	W-200 - W-77	200.30
AG-1	04006100	G3/8" (PF3/8")	AZ1 HTE S	40.20



### Central 700 ml

MODEL	CODE	CONNECTION	Available for	€
PCL 7B 3	14018661	G3/8" (PF3/8")	AZ3 HTE IMPACT	78.10





GENERAL  
ACCESSORIES  
&  
HEALTH  
PROTECTION





# ANEST IWATA OVERALL - PREMIUM QUALITY

Premium Overall provides high protection against overspray and prevents pollution of the painting job by fibers, dust and lint. Designed for full comfort with antistatic fiber.



## PERSONAL PROTECTIVE EQUIPMENT (PPE)

Category I according to the European Directive 2016/425  
Basic PPE protects against minimal risks.

### OVERALL'S SIZE CHART

SIZE	S	M	L	XL
EU	46	48	50	52-54
HIGH	170-174 cm	174-178 cm	178-182 cm	182-190 cm
CHEST	86-94 cm	94-102 cm	102-110 cm	110-118 cm
WAIST	70-78 cm	78-86 cm	86-94 cm	94-102 cm



SAFETY EQUIPMENT

### ORDER INFORMATION

CODE	DESCRIPTION	SIZE	€
150006A0	PREMIUM OVERALL	S	116.70
150007A0	PREMIUM OVERALL	M	116.70
150008A0	PREMIUM OVERALL	L	116.70
150009A0	PREMIUM OVERALL	XL	116.70

# VISIONSHIELD PROTECTIVE GOOGLES

Polycarbonate lenses for medium energy hi-speed particles  
The frame offers protection against large dust particles and liquid droplets.



SAFETY EQUIPMENT

### ORDER INFORMATION

CODE	DESCRIPTION	€
AGN020-441-3P0	VISIONSHIELD GOOGLE	37.30

CONFORMS TO  
EN166:2001



# VISIONSHIELD PROTECTIVE GLASSES

Designed with soft rubber frame, with Polycarbonate lenses  
and adjustable non-slip nose pad.



SAFETY EQUIPMENT

### ORDER INFORMATION

CODE	DESCRIPTION	€
ASA770-15K-4P0	VISIONSHIELD GLASSES	25.90

CONFORMS TO  
EN166:2001



# VIPER HALF FACE GUARD MASK



HALF MASK with INTERCHANGEABLE COMBINED FILTERS

Half mask respirators with two different types of filtration designed for the protection against dust, gases and vapors. Built-in inhalation valves in the filter. Low inhalation resistance



**A2 P3R FILTER FOR HIGH PROTECTION**

Medium Capacity Organic Gas / Vapors Filter (Hydrocarbons & Solvents)  
**CONFORM TO: EN143:2000 + A1:2006**

High Efficiency Particles Filters  
**CONFORM TO: EN14387:2004**



**AB1 P2R FILTER FOR STANDARD PROTECTION**

Low Capacity Organic Gas / Vapors Filter (Hydrocarbons & Solvents)  
**CONFORM TO: EN143:2000 + A1:2006**

Medium Efficiency Particles Filters  
**CONFORM TO: EN14387:2004**



SAFETY EQUIPMENT

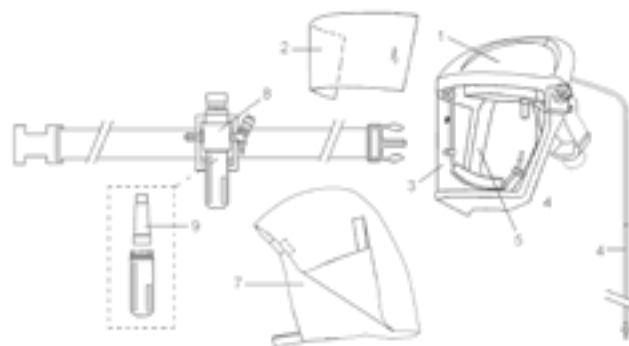
## ORDER INFORMATION

CODE	DESCRIPTION	QTY.	€
150001A0	VIPER GUARD MASK (A2P3R Half Face Mask)		76.10
150002A0	VIPER GUARD MASK (AB1P2R Half Face Mask)		76.90
VIUGVGM123	A2P3R FILTER SET	(2 pcs)	34.60
VIUGVGM510	AB1P2R FILTER SET	(2 pcs)	34.70
VIUGVGM002KIT	P2R PRE-FILTER SET	(4 pre-filters/2 holders)	11.30

# AIR FED 2020 FULL FACE MASK - SPARE PARTS

## ORDER INFORMATION

CODE	DESCRIPTION	REF.	QTY.	€
VIUAF2020HEAD	HEADPIECE ONLY	1		293.20
VIUAF2020/K10-SV	VISOR PEEL OFF COVERS	2	(10 pcs)	41.50
VIUAF2020/K50-SV	VISOR PEEL OFF COVERS	2	(50 pcs)	64.20
VIUAF2020CHIN	CHIN GUARD AND FACESCREEN	4		66.80
VIUAF2020DIFF	DIFFUSER TUBE	5		176.20
VIUAF2101K5	HYGIENE KIT	6	(5 pcs)	109.50
VIUAF2103K5	NAPE COVERS	7	(5 pcs)	120.70
VIUAF2207	BELT REGULATOR	8		0.00
VIUAFG-N-AF-MC	5 µ CARBON FILTER	9		68.00
VIUAF2003	BELT ONLY			29.10
VIUAF2400	BRACKET ONLY			11.50
I-UK-AH008-FT26	STUB HOSE			41.80
VIUAF2010HRNS	ADJ HARNESS			22.70





CLEANING  
MAINTENANCE  
& AIR QUALITY



# PCA 12.0 & HCA 12.0

ANEST IWATA Manual Pressure Atomizers are especially suited for automotive industry, motorcycle and bicycle garages, machine and metalworking industries and workshops. 1 Lt. Capacity with special adjustable nozzle (Ø 0.8 mm) with nickel-plated brass piston pump.

Available in 2 different models:

PREMIUM QUALITY Version PCA 12.0 & HIGH QUALITY Version HCA 12.0

Acids ●  
Alkalis ●  
Solvents ●  
**RESISTANT**

## PREMIUM QUALITY

### ORDER INFORMATION

CODE	DESCRIPTION	€
W2COM6226	SPRAY GUN CLEANING APPLICATOR PCA 12.0 Premium Quality (Super Seal BMS 210)	124.00

**PCA12.0**  
PREMIUM QUALITY Cleaning Applicator



**AGGRESSIVE  
CLEANERS**

with **SUPER  
SEAL BMS 201**



## HIGH QUALITY

### ORDER INFORMATION

CODE	DESCRIPTION	€
W2COM6225	SPRAY GUN CLEANING APPLICATOR HCA 12.0 High Quality (Viton Seal FPM)	95.00

**HCA12.0**  
HIGH QUALITY Cleaning Applicator



**MILD  
CLEANERS**

with **VITON  
SEAL FPM**



## SPARE PARTS

CODE	DESCRIPTION	REF.	€
W2KIT70	MAINTENANCE KIT		14.20
	PROTECTION WASHER	1	
	NUT	2	
	PRESSURE SPRING	3	
	WASHER	4	
	SUCTION VALVE	5	
	BALL 7/32"	6	
	SUCTION FILTER CPL.	7	
	PRESSURE VALVE	8	
	BALL 1/8"	9	
W2KIT71	PACKING SET - HCA (FPM - GREEN)		21.40
	O-RING 7,66x1,78	10	
	GASKET 57,5x53x2 PE	11	
	PRESSURE TUBE JOINT	12	
	SLEEVE	13	
W2KIT72	PACKING SET - PCA (BMS 210 - BLACK)		122.00
	O-RING 7,66x1,78	10	
	GASKET 57,5x53x2 PE	11	
	PRESSURE TUBE JOINT	12	
	SLEEVE	13	
W2KIT73	PISTON SET	14	25.40
W2KIT74	ADJUSTABLE NOZZLE SET Ø 0.8 mm	15	52.60



# CLEANING & MAINTENANCE TOOLS



Our Spray Gun Cleaning & Maintenance Kits include the same important tools which Technical Services use to clean and restore spray gun to perfect working conditioning. The kits come in two versions: Complete and Essential.



## MAINTENANCE COMPLETE TOOL KIT

Contents: 1 Big Surface Brush (W2COM6125)  
 1 Flat Brush (W2COM6124) - 1 Big Twisted Brush (W2COM6126)  
 1 Brush in Bamboo (W2COM6163) - 2 Twisted Brushes (1x Ø 10 mm W2COM6162 - 1x Ø 5 mm W2COM6161)  
 1 Tiny Twisted Brush (W2COM6127)  
 1 Very Tiny Twisted Brush (W2COM6128)  
 12 Cleaning Needles (W2COM6164)  
 1 Premier Maintenance Grease (W2COM6165).



1  
COMPLETE TOOL KIT

## MAINTENANCE ESSENTIAL TOOL KIT

Contents: 1 Big Surface Brush (W2COM6125)  
 1 Flat Brush (W2COM6124) - 1 Big Twisted Brush (W2COM6126)  
 1 Brush in Bamboo (W2COM6163) - 5 Twisted Brushes (2x Ø 10 mm W2COM6162 - 3x Ø 5 mm W2COM6161)  
 1 Premier Maintenance Grease (W2COM6165).



2  
ESSENTIAL TOOL KIT



3 Flat Brushes W2COM6124

4 Brushes in Bamboo W2COM6163

5 Big surface brushes W2COM6125

6 Big twisted brushes ø 15 W2COM6126

7 Twisted brushes ø 10 W2COM6162

8 Twisted brushes ø 5 W2COM6161

9 Tiny twisted brushes ø 3 W2COM6127

10 Very tiny twisted brushes W2COM6128

11 Cleaning needles W2COM6164

12 Universal Spanner 930171A0

13 Needle packing spanner W2COM6129

14 Allen wrenches 03506480K

15 Spanner for LPH-80/RG-3L 93280881

16 Maintenance Grease W2COM6165

17 AG-6 Air duster gun 13908061

NR.	CODE	DESCRIPTION	QTY.	€
1	W2KIT55UK	MAINTENANCE COMPLETE TOOL KIT	-	81.80
2	930707A0	MAINTENANCE ESSENTIAL TOOL KIT	-	32.00
3	W2COM6124	FLAT BRUSHES	(5 pcs./1pk.)	9.10
4	W2COM6163	BRUSHES IN BAMBOO	(5 pcs./1pk.)	13.20
5	W2COM6125	BIG SURFACE BRUSHES	(3 pcs./1pk.)	25.40
6	W2COM6126	BIG TWISTED BRUSHES ø 15mm	(5 pcs./1pk.)	17.90
7	W2COM6162	TWISTED BRUSHES ø 10mm	(5 pcs./1pk.)	15.70
8	W2COM6161	TWISTED BRUSHES ø 5mm	(5 pcs./1pk.)	15.40
9	W2COM6127	TINY TWISTED BRUSHES ø 3mm	(4 pcs./1pk.)	46.50
10	W2COM6128	VERY TINY TWISTED BRUSHES	(4 pcs./1pk.)	47.70
11	W2COM6164	CLEANING NEEDLES	(12 pcs./1pk.)	34.00
12	930171A0	UNIVERSAL SPANNER		9.40
13	W2COM6129	SPANNER FOR LOCK ADJ. & NEEDLE PACKING		9.90
14	03506480K	ALLEN WRENCHES (for Series 2)	(3 pcs./1pk.)	6.30
15	93280881	SPANNER for LPH-80/RG-3L		16.90
16	W2COM6165	PREMIER MAINTENANCE GREASE (20 ml)		12.30
17	13908061	AG-6 AIR DUSTER GUN		40.70

The bristles of all brushes are resistant to solvents and paint thinner and they are ideal to clean all types of spray guns.



# MANUAL WASHING

## KUIK MINI GUN WASHER

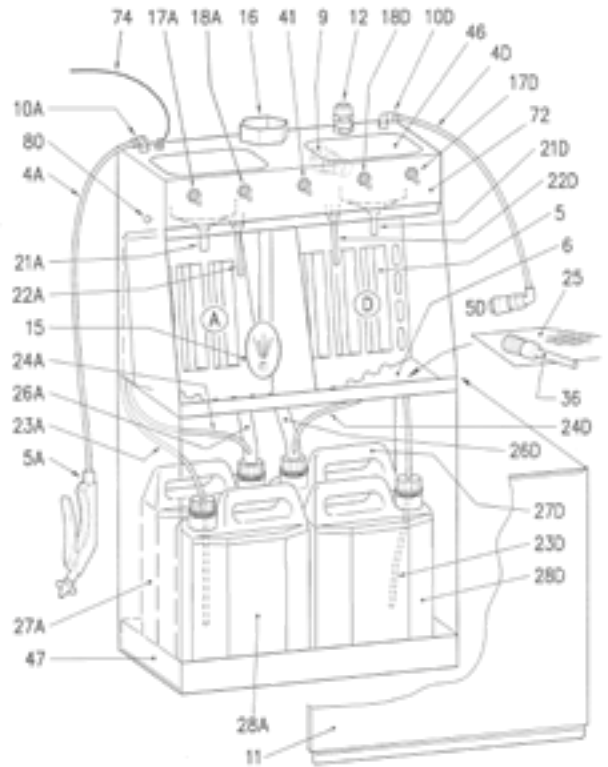
Combined water/solvent mini gun washer with double compartment, light and compact with built-in aspiration system, suitable for installation inside or outside the spray booth. With blow gun included.



TECHNICAL DATA	
OPERATING PRESSURE	8 bar
TANK CAPACITY	5 lt
DIMENSIONS	450x250x840 mm
MASS	15 kg

### ORDER INFORMATION

CODE	DESCRIPTION	REF.	€
IWK-KUIK	KUIK MINI GUN WASHER MANUAL		2 392.00
10200135-4A	BLOWING GUN SUPPLY AIR HOSE + JOINT	4A	20.00
10200135-4D	LOW PRESSURE SUPPLY AIR HOSE (FOR SPRAY GUN) + JOINT	4D	20.00
10200135-5A	BLOWING GUN + JOINT	5A	73.30
10200135-5D	QUICK JOINT GUN CONNECTION	5D	26.30
10200135-9	INNER PRESSURE REGULATOR	9	49.30
10200135-11	LOWER DOOR	11	135.90
10200135-12	AIR INLET FITTING WITH FILTER	12	48.20
10200135-15	VAPOUR SUCTION NOZZLE	15	9.90
10200135-17A	CONTROL VENTURI PUMP SWITCH (DIRTY WATER)	17A	62.00
10200135-17D	CONTROL VENTURI PUMP SWITCH (DIRTY SOLVENT)	17D	62.00
10200135-18A	CONTROL ATOMIZER SWITCH (CLEAN WATER)	18A	62.00
10200135-18D	CONTROL ATOMIZER SWITCH (CLEAN SOLVENT)	18D	62.00
10200135-21A	VENTURI PUMP (DIRTY WATER AND DETERGENT)	21A	213.50
10200135-21D	VENTURI PUMP (DIRTY SOLVENT)	21D	213.50
10200135-22A	NEBULIZER (CLEAN WATER AND DETERGENT)	22A	112.30
10200135-22D	NEBULIZER (CLEAN SOLVENT)	22D	112.30
10200135-23A	NEBULIZER SUPPLY HOSE ZONE A	23A	9.80
10200135-23D	NEBULIZER SUPPLY HOSE ZONE D	23D	9.80
10200135-24A	VENTURI PUMP SUPPLY HOSE ZONE A	24A	9.80
10200135-24D	VENTURI PUMP SUPPLY HOSE ZONE D	24D	9.80
10200135-25	WORKTOP GRILLE	25	34.60
10200135-26A	DRAIN HOSE ZONE A	26A	12.80
10200135-26D	DRAIN HOSE ZONE D	26D	20.00
10200135-27A	TANK OF DIRTY WATER AND DETERGENT	27A	20.00
10200135-27D	TANK OF DIRTY SOLVENT	27D	20.00
10200135-28A	TANK OF CLEAN WATER AND DETERGENT	28A	20.00
10200135-28D	TANK OF CLEAN SOLVENT	28D	20.00
10200135-36	WASHING BRUSH	36	29.60
10200135-41	CONTROL SWITCH VAPOURS SUCTION	41	62.20
10200135-72	CONTROL PANEL LABEL	72	26.30
1020H2HRE5	AQUAREVIVE DETERGENT 5 lt.		924.10



# MANUAL WASHING



## IWK-H2O GUN WASHER

### IWK H2O FOR WATER BASED PAINT ONLY:

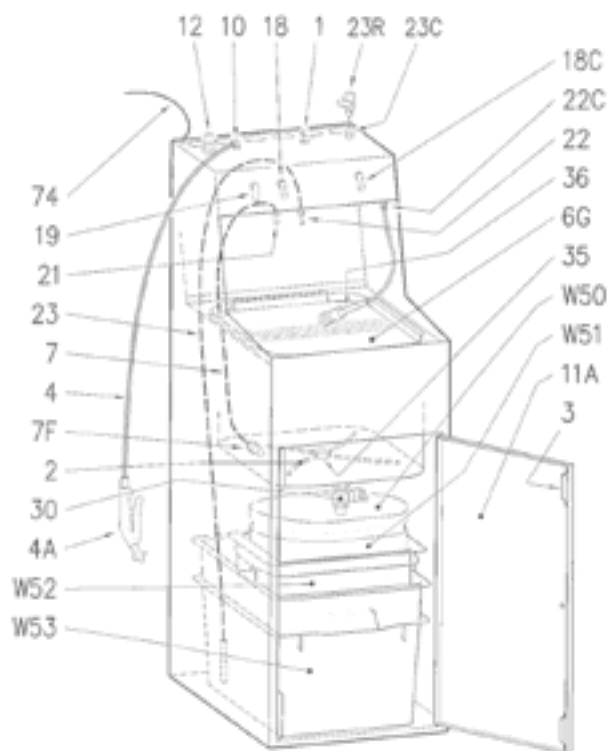
Pneumatically operated machine for manually washing from water-based paint of spray guns and small objects. The spray-washer is fitted with a small pump and sprayer which draws clean water from a container located at the bottom of the machine and a second sprayer for final washing which is connected to the company's water supply. A blowing gun then cleans and dries the guns and washed pieces.



TECHNICAL DATA	
OPERATING PRESSURE	6-10 bar
TANK CAPACITY	50 lt. (Stainless Steel)
TANK CAPACITY	70 lt. (lower tank)
DIMENSIONS	450x660x1335 mm
MASS	44 kg

### ORDER INFORMATION

CODE	DESCRIPTION	REF.	€
10200081	IWK H2O SPRAY GUN WASHER MANUAL		3 036.40
1020IWKH21	FLOW REGULATOR	1	45.50
1020IWKH23	DOOR MAGNET	3	13.40
1020IWKH24	AIR FEED HOSE	4	21.10
1020IWKH24A	BLOWING GUN	4A	77.80
1020IWKH26G	GRILLE	6C	169.70
1020IWKH224	PUMP SUPPLY HOSE	7	32.40
1020IWKH2H7F	PUMP SUPPLY FILTER	7F	77.90
1020IWKH211A	LOWER DOOR	11A	140.60
1020IWKH212	AIR INLET FITTING WITH FILTER	12	49.90
1020IWKH218K	CONTROL PANEL KIT WITH LEVER	18	152.30
1020IWKH218C	CONTROL VALVE KIT WITH LEVER	18C	46.90
1020IWKH218CL	ONLY CONTROL LEVER	18CL	6.20
1020IWKH221	PUMP	21	257.30
1020IWKH222	NEBULISER	22	96.60
1020IWKH222C	SPRAY NOZZLE	22C	20.60
1020IWKH223	NEBULISER SUPPLY HOSE	23	32.40
1020S3723R	WATER FLOW CONTROL VALVE	23R	36.00
1020IWKH230	DRAIN VALVE	30	48.40
1020IWKH235	AIR DIFFUSER	35	93.60
1020IWKH36	WASHING BRUSH	36	35.60
1020IWKH237	CONNECTION HOSE FOR WASHING BRUSH	37	17.10
1020IWKH2W50B	BAG PRE-FILTERS KIT (5 pcs./1pk.)	W50	62.20
1020IWKH2W51B	BAG FILTER	W51	45.70
1020IWKW52	CONTAINER (FILTERING +DECANTATION)	W52	120.30
1020IWKW53	CONTAINER (for REGENERATED WATER)	W53	140.40
1020S37T	SPRAY GUN NOZZLE	T	18.00
1020H2HRE5	AQUAREVIVE DETERGENT 5 lt.		924.10



# MANUAL & AUTOMATIC GUN WASHERS

## INOX LINE SOL (SLD)

**Manual & Automatic**  
Washing

### FEATURES

- Automatic and manual gun washer with final manual rinse.
- Stainless steel Electroclean body and tank
- Test booth and Venturi exhaust system
- Drying gun
- Possible to connect with a distiller

### TECHNICAL DATA

MASS	63 kg
OPERATING PRESSURE	6~10 bar
DIMENSIONS	600x700x1490 mm
EACH SINGLE TANK CPTY	25 lt.
NO OF GUNS WASHED PER CYCLE	2



### ORDER INFORMATION

CODE	DESCRIPTION	€
10200S32	INOX LINE SLD MANUAL & AUTOMATIC GUN WASHER	5 398,20

## INOX LINE IWK SLB & IWK SLC

### TECHNICAL DATA

MASS	42 kg
OPERATING TEMPERATURE	6~10 bar
DIMENSIONS	600x700x1100 mm
EACH SINGLE TANK CPTY	25 lt.



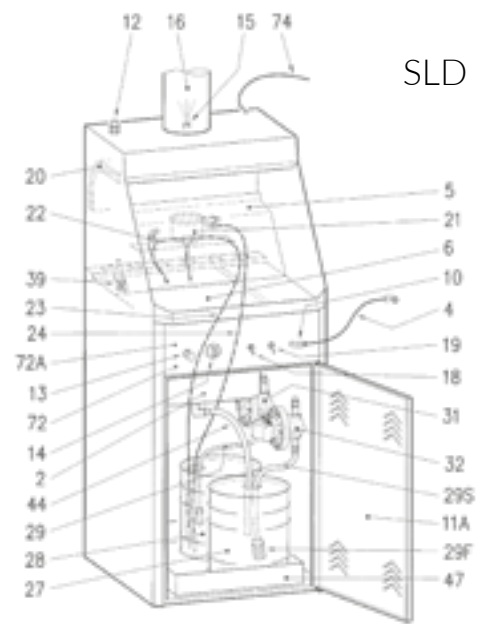
### ORDER INFORMATION

CODE	DESCRIPTION	€
10200125	IWK SLB GUN WASHER without AUTOMATIC FINAL CLEANING	3 460,80
10200120	IWK SLC GUN WASHER with AUTOMATIC FINAL CLEANING	3 957,30

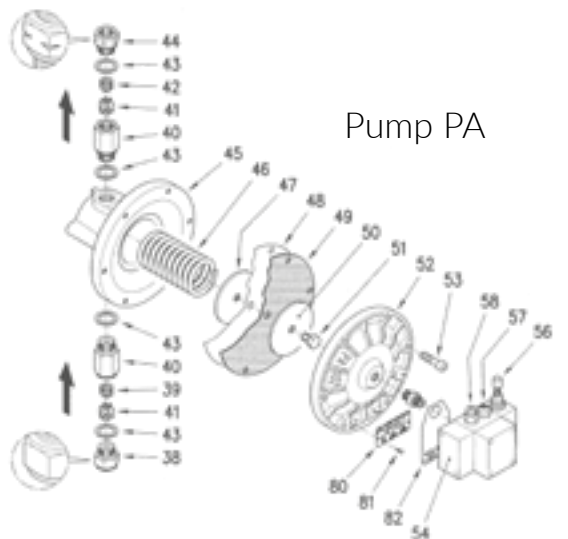
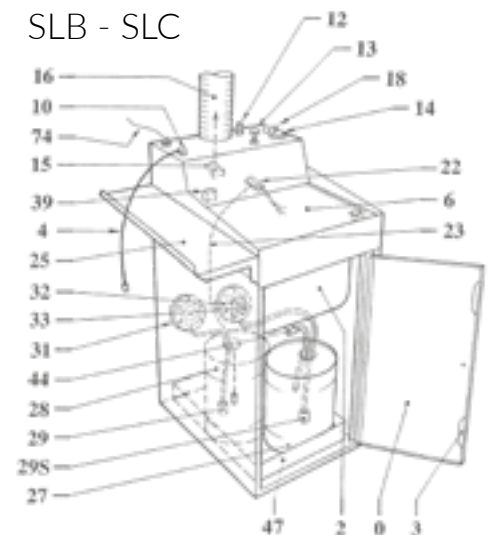
# SPARE PARTS



CODE	DESCRIPTION	REF.	SLB/C	SLD	€
1020S32189	FILTER CARTRIDGE ACTIVE CARBON				1025.78
1020SOL0	LOWER DOOR	0	X		149.35
1020SOL3	DOOR MAGNET	3	X		15.97
1020S324	AIR FEED HOSE	4		X	21.73
1020SOL4	AIR FEED HOSE	4	X		22.35
1020S325	VAPOUR AND AIR CONVEYOR	5		X	113.92
1020S3211A	LOWER DOOR	11A		X	206.41
1020S3212	AIR INLET FITTING WITH FILTER	12		X	52.43
1020SOL12	AIR INLET FITTING WITH FILTER	12	X		53.97
1020S3213	PUSH-BUTTON	13		X	83.12
10200219	PUSH-BUTTON	13	X		83.12
1020S3214	TIMER	14		X	267.70
1020SOL14	TIMER	14	X		276.35
1020S3215	VAPOUR SUCTION NOZZLE	15		X	40.17
1020SOL15	VAPOUR SUCTION NOZZLE	15	X		11.12
1020S3216	VAPOUR EXHAUST PIPE	16		X	70.97
1020SOL16	VAPOUR EXHAUST PIPE	16	X		53.97
1020S3218	ATOMIZER CONTROL VALVE	18		X	67.88
1020SOL18BK	ATOMIZER CONTROL VALVE	18	X		82.61
1020SOL18L	LEVER	18	X		6.39
1020S3219	CONTROL VALVE PUMP	19		X	67.88
1020S3220	DRY FILTER	20		X	34.09
1020S3721	PUMP	21		X	233.40
1020S3722	NEBULIZER	22	X	X	122.78
1020S3223	NEBULIZER SUPPLY HOSE	23		X	34.09
1020SOL23	NEBULIZER SUPPLY HOSE	23	X		41.61
1020S3224	PUMP SUPPLY HOSE	24		X	34.09
1020SOL25	WORK SURFACE	25	X		92.49
1020S3229	HOSE (CLEAN SOLVENT)	29		X	89.40
1020SOL29	HOSE (CLEAN SOLVENT)	29	X		92.49
1020SOL29D	FILTER(CLEAN SOLVENT)	29D		X	22.15
1020SOL29F	FILTER (USED DETERGENT)	29F		X	76.63
1020S3229F	FILTER (USED DETERGENT)	29F	X		77.04
1020S3229S	HOSE (USED DETERGENT)	29S		X	101.76
1020SOL29S	HOSE (USED DETERGENT)	29S	X		104.24
1020SOL29F2	HOSE (USED DETERGENT)	29S	X		29.36
1020S3231	CLEAN DETERGENT PUMP	31		X	671.05
1020SOL31	CLEAN SOLVENT PUMP	31	X		114.95
1020S3232	USED DETERGENT PUMP	32		X	951.82
1020SOL32	AUTOMATIC WASHER PUMP	32	X		838.42
1020PA38K	COMPLETE INLET VALVE KIT	38-38A-39-40-41-43	X	X	67.77
1020S3239	SAFETY VALVE	39		X	101.76
1020SOL39	SAFETY VALVE	39	X		245.24
1020PA44K	COMPLETE OUTLET VALVE KIT	40-41-42-43-44	X	X	67.88
1020S3244	DRAIN HOSE	44		X	18.54
1020SOL44	DRAIN HOSE	44	X		19.16
1020S3247	COLLECTING TANK	47		X	203.22
1020SOL47	COLLECTING TANK	47	X		156.87
1020PA48K	COMPLETE DIAPHRAGM KIT	47-48-49-50-51	X	X	178.19
1020PA54K	PNEUMATIC VALVE COMPLETE	54-56-57-58	X	X	253.28
1020S3272	CONTROL PANEL ADHESIVE	72		X	40.17
1020S3274	EARTH WIRE	74		X	31.00
1020SOLD	DRILLED SCREW	D	X		34.92
1020SOLF	CUP SUPPORT	F	X		85.80
1020S32H	WASHING SUPPORT	H		X	67.88
1020SOLH	WASHING SUPPORT	H	X		79.52
1020SOLL1	INTERNAL SPRAYER	L/L1	X		56.03
1020S32M	ALUMINIUM HOSE KIT	M		X	458.87
1020SOLM	BRASS HOSE KIT	M	X		520.67
1020S32M1	CAPSTAN SCREW	M1		X	10.92
1020S32M2	CROSSPIECE JOINT	M2		X	46.14
1020SOLN	PROTECTION PLUG	N	X		6.39
1020PA46	STAINLESS STEEL SPRING	PA46	X	X	61.80
1020PA57	DISCHARGE SILENCER	PA57	X	X	14.73
1020PA58	AIR INLET FITTING	PA58	X	X	11.64
1020S32PQ	SPECIAL CLAMP	PQ		X	27.81
1020SOLPQ	SPECIAL CLAMP	PQ	X		27.81
1020S32R	NET KNOB IN ALUMINIUM	R		X	76.63
1020S32T	NOZZLE	T		X	77.04
1020SOLT	NOZZLE	T	X		101.76
1020S32U	ALUMINIUM NET	U		X	104.24
1020S32V	SPRAY NOZZLE	V		X	29.36
1020S32Z	INTERNAL SPRAY NOZZLE	Z		X	671.05
1020SOLZ	JET FOR SUCTION GUNS	Z	X		114.95
1020H2HRE5	AQUAREVIVE DETERGENT 5 Lt.				202.29



## SLB - SLC



# MAGNETIC SUPPORTS & GUN HOLDERS

## MAGNETIC STAND - Magnetic Support

### FEATURES

- Practical for every body shop fast, flexible and reliable adhesion on all metal surfaces thanks to an extra-strong all-surface magnet.
- Hold up to 20 kg (each holder, measured on a clean metal surface).
- Significant space savings in working area.
- Easy removal from spray both.



### ORDER INFORMATION

CODE	DESCRIPTION	REF.	€
W2COM6052	MAGNETIC SPRAY GUN HOLDER (for 3 Spray Guns)	1	70.10
W2COM6120	MAGNETIC SPRAY GUN HOLDER (1 Single Spray Gun)	2	35.80
W2COM6093	MAGNETIC ADAPTOR HOLDER (for PPS-RPS Adaptors)	3	19.30
W2COM6094	MAGNETIC AIR HOSE HOLDER (Max. Hose length 20 m)	4	74.20

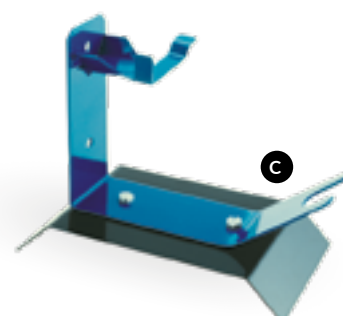
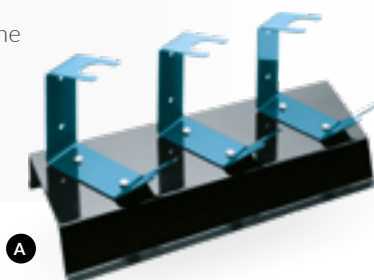
## GRAVITY GUN HOLDERS

### FEATURES

Suitable to hold Gravity Guns after use or during the filling of the cup

Available in 3 versions with base:

- Single Central Gravity (wall mountable)
- Multiple Central Gravity (3 places)
- Single Side Gravity



### ORDER INFORMATION

CODE	DESCRIPTION	REF.	€
W2501000500	CENTRAL GRAVITY GUN HOLDER (3 SPRAY GUNS)	A	95.50
W2501000100	CENTRAL GRAVITY GUN HOLDER (1 SPRAY GUN) WALL MOUNTABLE	B	32.90
W2501000600	SIDE GRAVITY GUN HOLDER (Single)	C	42.40

# MAGNETIC SPRAY TESTER



## FEATURES

- Portable spray pattern tester for regular monitoring of the spray pattern quality.
- Fast, flexible and reliable adhesion of the spray pattern tester on all metallic surfaces thanks to an extra-strong full-surface magnet.
- Easy wall mounting: no drilling, no screws
- Perfect horizontal alignment by an integrated vial in the spray ruler.
- Dimensions: 46 cm (B) x 75 cm (H) x 5 cm (T)



## ORDER INFORMATION

CODE	DESCRIPTION	€
W2COM6118EN	MAGNETIC SPRAY TESTER (COMPLETE SET)	292.80
W2KIT51	PAPER BLOCKS (2 Blocks of 30 Sheets)	47.70
W2COM6151	LEVEL VIAL	4.90
W2COM6153	SPRAY RULER	32.80



## HOW TO USE



with **SPRAY RULER & LEVEL VIAL**



# AIR FILTER 2.0






*Junior* 

Modular air filter for compressed air purification. Separation of water, foreign particles/oil, and odor elimination. Filtration degree: 99.9%. The pre-filter is equipped with an automatic condensate drain. The maintenance indicator visualizes the saturation level of the pre-filter and fine filter. Flexible connection to the compressed air network from the left or right side by repositioning components. 3/2-way bleed valve for automatic venting of the entire filter group and all connected consumers (lockable valve, padlock required separately). Compact air distributor with two pressure gauges and two safety couplings. Pressure regulators allow for precise adjustment of the operating pressure.

## SINGLE-STAGE FILTER

Air inlet G 3/8" IT (Internal Thread) or 3/8" ET (External Thread) NW 7.2 via the included quick-coupling plugs, with 3/2-way bleed valve, 2x pressure regulator, air distributor (2x G 1/4" ET - External Thread) and safety coupling (2x NW 7.2; 1/4" IT).

### ORDER INFORMATION







CODE	DESCRIPTION		PRICE
DE120063	SINGLE-STAGE FILTER		A2 677.50
DE120046	PRE-FILTER separately Nominal filtration fineness 1 µm, filtration degree: 99%		A2 75.00
04492910	PRESSURE GAUGE (separately)		A4 35.10
DE120060	O-RING SET (6 pcs.)		A2 6.50
DE120058	PRESSURE REGULATOR ADJUSTMENT CAP separately		A2 6.50
W3COM6088	SAFETY COUPLING (separately)		A2 35.90



## TWO-STAGE FILTER

Air inlet G 3/8" IT or 3/8" ET NW 7.2 via the included quick-coupling plugs, with 3/2-way bleed valve, 2x pressure regulator, air distributor (2x G 1/4" ET) and safety coupling (2x NW 7.2; 1/4" IT).

### ORDER INFORMATION


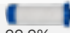
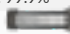




CODE	DESCRIPTION		PRICE
DE120064	TWO-STAGE FILTER		A2 882.50
DE120046	PRE-FILTER separately Nominal filtration fineness 1 µm, filtration degree: 99%		A2 75.00
DE120047	FEINFILTER einzeln Nenn-Filtrationsvermögen 0.01 µ, Filtrationsgrad: 99.9%		A2 75.00
04492910	PRESSURE GAUGE (separately)		A4 35.10
DE120060	O-RING SET (6 pcs.)		A2 6.50
DE120058	PRESSURE REGULATOR ADJUSTMENT CAP separately		A2 6.50
W3COM6088	SAFETY COUPLING (separately)		A2 35.90



## THREE-STAGE FILTER

Air inlet G 3/8" IT or 3/8" ET NW 7.2 via the included quick-coupling plugs, with 3/2-way bleed valve, 2x pressure regulator, air distributor (2x G 1/4" ET) and safety coupling (2x NW 7.2; 1/4" IT).

### ORDER INFORMATION

CODE	DESCRIPTION		PRICE
DE120065	THREE-STAGE FILTER		A2 1017.00
DE120046	PRE-FILTER separately Nominal filtration fineness 1 µm, filtration degree: 99%		A2 75.00
DE120047	FINE FILTER separately Nominal filtration capacity 0.01 µm, filtration degree: 99.9%		A2 75.00
DE120048	ACTIVATED CARBON FILTER separately Removal of odors / gaseous components from compressed air		A2 75.00
DE120062	3-PIECE FILTER SET: pre-filter, fine filter, activated carbon filter		A2 300.00
04492910	PRESSURE GAUGE (separately)		A4 35.10
DE120060	O-RING SET (6 pcs.)		A2 6.50
DE120058	PRESSURE REGULATOR ADJUSTMENT CAP separately		A2 6.50
W3COM6088	SAFETY COUPLING (separately)		A2 35.90



# FILTER UNIT 2.0

*Junior*

## CONSISTS OF



3/2-way valve



2-way air manifold with dual pressure regulators and safety quick-connect couplings

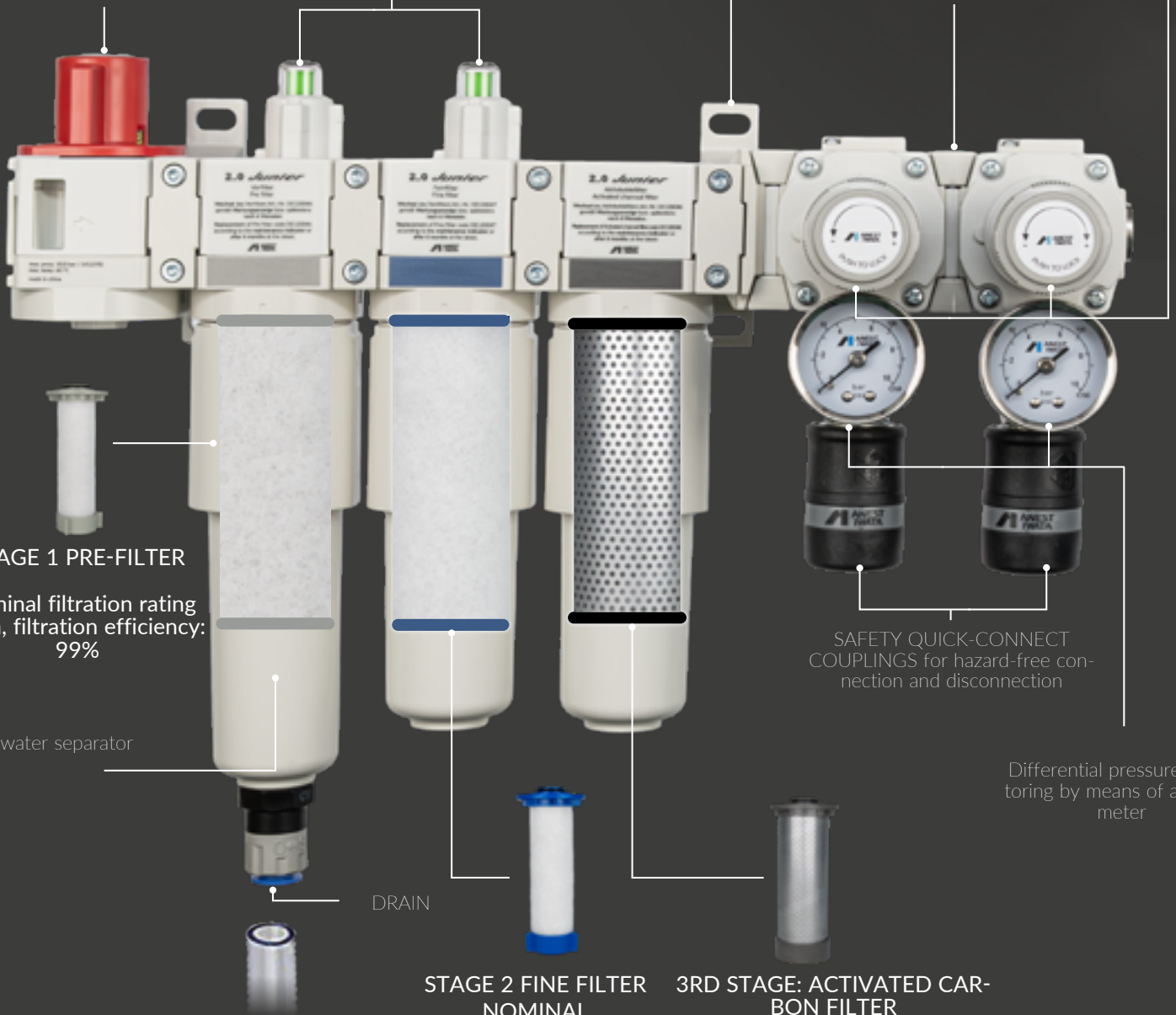
3/2-way exhaust valve with automatic pressure relief

Visual maintenance indicator (saturation level of filter elements)

STABLE MOUNTING

COMPACT AIR MANIFOLD

Pressure regulator for fine-tuning of the working pressure



STAGE 1 PRE-FILTER  
Nominal filtration rating 1 µm, filtration efficiency: 99%

SAFETY QUICK-CONNECT COUPLINGS for hazard-free connection and disconnection

Differential pressure monitoring by means of a manometer

Auto-drain water separator

DRAIN

Condensate drain HOSE

STAGE 2 FINE FILTER NOMINAL  
filtration capacity 0.01 µm, filtration efficiency: 99.9%

3RD STAGE: ACTIVATED CARBON FILTER  
for efficient elimination of odors and gaseous contaminants.

# AIR FILTER 2.0

# Pro



Modularly constructed air filter for purifying compressed air. Separation of water, foreign matter/oil, and odor elimination. Filtration efficiency: 99.9%. The pre-filter is equipped with an automatic condensate drain. A maintenance indicator visualizes the saturation (wear) level of the pre-filter and the fine filter (pre- and final filters). Flexible connection to the compressed air network from the left or right side via modification (rearrangement/repositioning) is possible. 3/2-way bleed valve for automatic depressurization of the entire filter unit and all connected consumers (valve lockable with a shackle padlock, padlock required separately). Compact air distributor with two pressure gauges and two safety quick couplings. Pressure regulators allow for precise adjustment of the working pressure.

## SINGLE-STAGE FILTER

Air inlet G 1/2" IG (Internal Thread), with 3/2-way bleed valve, 2× pressure regulators, air distributor (2× G 3/8" ET - External Thread), and safety quick coupling (2× NW 7.2; 1/4" IG).

### ORDER INFORMATION

CODE	DESCRIPTION	€	
DE120066	SINGLE-STAGE FILTER	855,00	A2
DE120052	PRE-FILTER (separately) Nominalna dokładność filtracji 1 µm, Stopień filtracji: 99%	112,50	A2
04444650	PRESSURE GAUGE (separately)	34,70	A4
DE120059	SEALING RINGS (6 pcs.)	9,50	A2
DE120057	PRESSURE REGULATOR ADJUSTMENT CAP (separately)	10,50	A2
W3COM6088	SAFETY QUICK COUPLING (separately)	35,90	A2



## TWO-STAGE FILTER

Air inlet G 1/2" IG (Internal Thread), with 3/2-way bleed valve, 2× pressure regulators, air distributor (2× G 3/8" ET - External Thread), and safety quick coupling (2× NW 7.2; 1/4" IG).

### ORDER INFORMATION

CODE	DESCRIPTION	€	
DE120067	TWO-STAGE FILTER SET	1 112,00	A2
DE120052	PRE-FILTER (separately) Nominal filtration accuracy 1µm, Filtration efficiency: 99%	112,5	A2
DE120053	FINAL FILTER (separately) Nominal filtration capacity 0.01µm, Filtration efficiency: 99.9%	112,5	A2
04444650	PRESSURE GAUGE (separately)	34,70	A4
DE120059	SEALING O-RINGS (6 pcs.)	9,50	A2
DE120057	PRESSURE REGULATOR ADJUSTMENT CAP (separately)	10,50	A2
W3COM6088	SAFETY QUICK COUPLING (separately)	35,90	A2



## FILTR TRZYSTOPNIOWY

Air inlet G 1/2" IG (Internal Thread), with 3/2-way bleed valve, 2× pressure regulators, air distributor (2× G 3/8" ET - External Thread), safety quick coupling (2× NW 7.2; 1/4" IG), and a protective cover.

### ORDER INFORMATION

CODE	DESCRIPTION	€	
DE120068	ZESTAW FILTRÓW TRZYSTOPNIOWYCH	1 297,00	A2
DE120052	PRE-FILTER Nominal filtration accuracy 1µm, Filtration efficiency: 99%	112,5	A2
DE120053	FINAL FILTER Nominal filtration capacity 0.01µm, Filtration efficiency: 99.9%	112,5	A2
DE120054	ACTIVATED CARBON FILTER (separately) Elimination of odors/gaseous components from compressed air	112,5	A2
DE120062	3-PIECE FILTER SET (Pre-filter, Final Filter, Activated Carbon Filter)	300,00	A2
04444650	PRESSURE GAUGE (separately)	34,70	A4
DE120059	SEALING O-RINGS (6 pcs.)	9,50	A2
DE120057	PRESSURE REGULATOR ADJUSTMENT CAP (separately)	10,50	A2
W3COM6088	SAFETY QUICK COUPLING (separately)	35,90	A2
DE120069	PROTECTIVE COVER (4 pcs.)	50,00	A2
DE120070	REPLACEMENT NUT for fastening the protective cover	6,50	A2



# CONDUCTIVE AIR/FLUID HOSES & COUPLINGS



## PREMIUM ANTISTATIC AIR HOSE RENEWAL

### FEATURES

Antistatic Air Hose with:

- High-strength synthetic textile braid.
- Clamped with fittings and safety quick coupling: air hose is vented in a first step and can then be safely disconnected in the second step.
- Very light, flexible in itself, noticeably handier.
- Quick coupling (NW 7.2) and nipple in Nickel Plated Brass.



### ORDER INFORMATION

CODE	DESCRIPTION	€
001250916P	PREMIUM ANTISTATIC AIR HOSE (12,5mt)	174.10

## CONDUCTIVE TWIN HOSES AIR & FLUID

### ORDER INFORMATION

CODE	DESCRIPTION	MT		CONNECTION	€
001004020	CONDUCTIVE TWIN HOSE	2	Air / Fluid	1/4"-1/4"	62.10
001004050	CONDUCTIVE TWIN HOSE	5	Air / Fluid	1/4"-1/4"	95.10
001004075	CONDUCTIVE TWIN HOSE	7.5	Air / Fluid	1/4"-1/4"	116.50
001004100	CONDUCTIVE TWIN HOSE	10	Air / Fluid	1/4"-1/4"	142.20
001004150	CONDUCTIVE TWIN HOSE	15	Air / Fluid	1/4"-1/4"	239.70



## QUICK COUPLINGS



**PIVOT QUICK COUPLINGS**



**AIR HOSE FITTING CONNECTORS**

### ORDER INFORMATION

CODE	DESCRIPTION	QN.	€
W2KIT41	AIR HOSE FITTING JOINT (FR – small hole)	(5 pz./1pk.)	31.00
150016A0	AIR HOSE FITTING JOINT (DE – big hole)	(5 pz./1pk.)	31.40
14375800	AIR HOSE "L" SWIVEL JOINT	-	26.60
VGRSWF	PIVOT QUICK COUPLING 1/4" F		17.30
VGRSWM	PIVOT QUICK COUPLING 1/4" M		17.30



**AIR HOSE FITTING JOINTS**  
FR o DE



**AIR HOSE "L" SWIVEL JOINT**



# PRESSURE GAUGES

## NEW HVC-D DIGITAL AIR PRESSURE REGULATOR

The Digital Pressure Regulator is designed to provide high precise and stable pressure control, optimizing application quality and minimizing the risk of defects such as mottling or uneven coverage. Its compact and lightweight body integrates seamlessly with the spray gun, preserving ergonomics even during extended use. The included locking ring allows for quick and secure installation without the need for tools.

### FEATURES

- Digital Air Pressure Gauge/Regulator
- Joints G1/4"
- Body, cover and regulation in anodized aluminium
- Glass digital display
- Control range 0-10 bar
- Available in three different pressure reading configurations (Bar/psi/MPa)
- Stable and repeatable pressure measurement
- Lithium battery with one-year autonomy
- Locking Ring system (tool-free installation)



**hvc**  
DIGITAL AIR REGULATOR



### ORDER INFORMATION

CODE	DESCRIPTION	Configuration	€
150018A0	HVC-D DIGITAL AIR PRESSURE REGULATOR	Bar	210,00

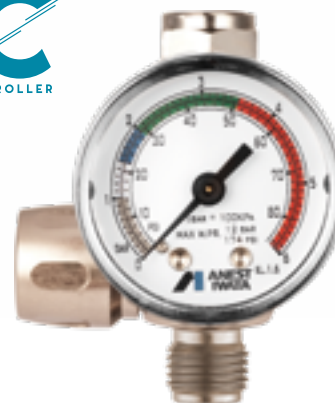
## HVC AIR PRESSURE REGULATOR

### FEATURES

- Air Pressure Gauge/Regulator
- Joints G1/4"
- Anodized aluminium body
- Chrome plated steel gauge case
- Glass clock face
- Metal needle
- Control range 0-6 bar (Pressure resistant up to 12 bar)



**HiVc**  
HIGH VALUABLE CONTROLLER



### ORDER INFORMATION

CODE	DESCRIPTION	€
150003A0	HVC AIR PRESSURE REGULATOR	77.80

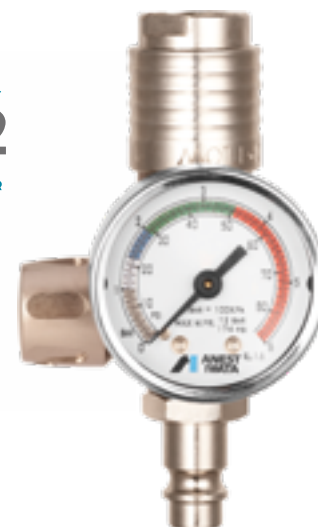
## HVC-2 AIR PRESSURE REGULATOR

### FEATURES

- Air Pressure Gauge/Regulator
- Female Plug G1/4"
- Anodized aluminium body
- Chrome plated steel gauge case
- Glass clock face
- Control range 0-6 bar (Pressure resistant up to 12 bar)
- Automatic shut off valve



FEMALE PLUG  
G1/4"



### ORDER INFORMATION

CODE	DESCRIPTION	€
150011A0	HVC-2 AIR PRESSURE REGULATOR	92.20

## IMPACT CONTROLLER 2

### FEATURES

- Air Pressure Gauge/Regulator
- Joints G1/4"
- Chrome plated aluminium body
- Steel gauge case
- Control range 0-10 bar



### ORDER INFORMATION

CODE	DESCRIPTION	€
W2012920700	IMPACT CONTROLLER2 - REGULATOR CIŚNIENIA	55.70



# DRYING SYSTEMS



# INFRARED UNIT

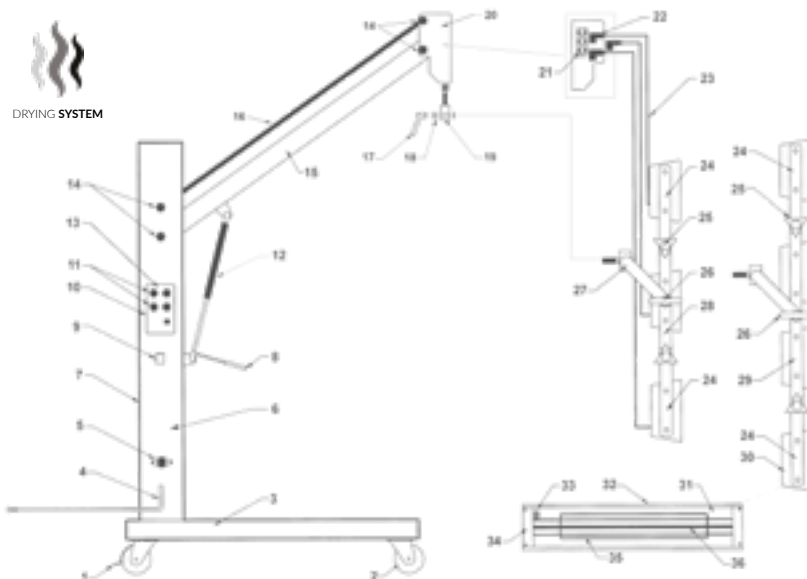


The short-wave infrared lamps are designed for use in workshops and body shops, they are easily used to provide fast and correct drying of the paint in all painting phases. The Anest Iwata infrared lamps are simple to use and used in a mobile way reduce drying times to a minimum. They are provided in different Kw series; 1Kw (hand held model), 3-4.5Kw, 4Kw and 6Kw (mobile models).

## FEATURES

The use of short-wave infrared technology, it allows to dry the primer, the base coat and the top coat in about 10 minutes unlike of the 45 minutes required by an oven.

The mobile infrared drying system provides a fast and efficient response in all local car refinish repairs.



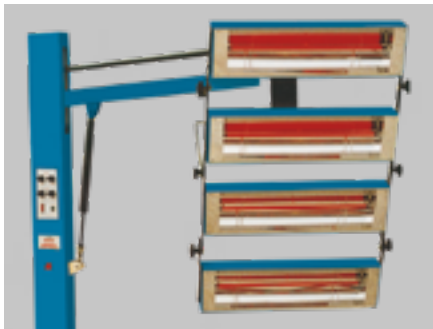
SERIES 1Kw



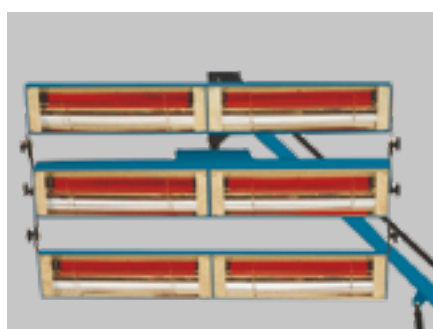
SERIES 3 Kw



SERIES 4 Kw



SERIES 6 Kw



## ORDER INFORMATION

CODE	DESCRIPTION	€
<b>HEAT T.E.C. 1000 (1 Kw Series)</b>		
VIU100000	HAND HELD MODEL (220 volt)	604.70
VIU100010	HAND HELD MODEL WITH SEPARATE STAND (220 volt)	657.80
VIU100010T	HAND HELD MODEL WITH SEPARATE STAND + TIMER (220 volt)	838.10
VIU100020	2 HAND HELD MODEL WITH ONE STAND (220 volt)	1 316.60
VIU100020T	2 HAND HELD MODEL WITH SEPARATE STAND + TIMER (220 volt)	1 356.90
<b>HEAT T.E.C. 3000 (3 Kw Series) Coverage Area 800x1000 mm</b>		
VIU100030	MOBILE INFRARED UNIT (220 volt)	3 776.80
VIU100030DSTS	MOBILE INFRARED UNIT + DISTANCE & TEMPERATURE SENSOR (220 volt)	4 858.90
<b>HEAT T.E.C. 4000 (4 Kw Series) Coverage Area 800x1300 mm</b>		
VIU100040	MOBILE INFRARED UNIT (220 volt)	4 005.00
VIU100040DSTS	MOBILE INFRARED UNIT + DISTANCE & TEMPERATURE SENSOR (220 volt)	4 819.70
<b>HEAT T.E.C. 4500 (4.5 Kw Series) Coverage Area 1250x1000 mm</b>		
VIU100045	MOBILE INFRARED UNIT (220 volt)	3 815.00
VIU100045DSTS	MOBILE INFRARED UNIT + DISTANCE & TEMPERATURE SENSOR (220 volt)	5 069.00
VIU300045	MOBILE INFRARED UNIT (THREE-PHASE) (380 volt)	4 008.00
VIU300045DSTS	MOBILE INFRARED UNIT + DISTANCE & TEMPERATURE SENSOR (380 volt)	5 258.90
<b>HEAT T.E.C. 6000 (6 Kw Series) Coverage Area 2000x1000 mm</b>		
VIU100060	MOBILE INFRARED UNIT (220 volt)	5 417.00
VIU100060DSTS	MOBILE INFRARED UNIT + DISTANCE & TEMPERATURE SENSOR (220 volt)	8 852.10
VIU300060	MOBILE INFRARED UNIT (THREE-PHASE) (380 volt)	6 545.80
VIU300060DSTS	MOBILE INFRARED UNIT + DISTANCE & TEMPERATURE SENSOR (380 volt)	7 806.00

SPARE PARTS

REF.	CODE	DESCRIPTION	220/240 Volt				380/415 Volt		€
			3 KW	4 KW	4.5 KW	6 KW	4.5 KW	6 KW	
1	VIU991594	CASTOR WITH BRAKE	2	2	2	2	2	2	67.30
2	VIU991595	CASTOR WITHOUT BRAKE	2	2	2	2	2	2	66.20
3	VIU410010B	U BASE (NO CASTORS)	1	1	1	1	1	1	860.20
4	VIU40001L	MAIN CABLE WITHOUT PLUG (240V 3KW/4KW/4.5KW)	1	1	1				165.00
4	VIU60001L	MAIN CABLE WITHOUT PLUG (240V 6KW)				1			186.30
4	VIU630001L	MAIN CABLE WITHOUT PLUG 3 PHASE					1	1	186.30
5	VIU363741	TRIAC POWER CONTROL	1	1	1	1	3	3	114.50
6	VIU410042	FRONT PANEL METAL COVER ONLY	1	1	1	1	1	1	438.40
7	VIU410100B	MAIN UPRIGHT (METAL PART ONLY)	1	1	1	1	1	1	952.65
8	VIUGSL	GAS STRUT LEVER	1	1	1	1	1	1	25.40
9	VIU41059EUR	MAIN SWITCH 3/4/4.5 KW SINGLE PHASE	1	1	1				63.20
9	VIU311-5256	MAIN SWITCH 6 KW SINGLE PHASE WITHOUT KNOB				1			200.50
9	VIU350-0840	KNOB FOR 6KW SWITCH					1	1	64.60
9	VIU332-155	MAIN SWITCH 6KW 3 PHASE				1			263.60
10	VIUHLPPCB-DS	DISTANCE CIRCUIT BOARD MODELS 220/240V	1	1	1	1			710.80
10	VIUHLPPCBXL	TEMP. + DISTANCE CIRCUIT BOARD MODELS 240V	1	1	1	1			1623.20
10	VIUHLPPCBXL-P	TEMP. + DISTANCE HEAD CIRCUIT BOARD ALL MODELS	1	1	1	1	1	1	617.70
10	VIUHLPPCB	CIRCUIT BOARD SINGLE PHASE	1	1	1	1			1060.20
10	VIUHLPPCB-3	CIRCUIT BOARD THREE PHASE					1	1	1145.80
11	VIU320295	BLACK KNOB FOR CONTROL CIRCUIT BOARD	4	4	4	4	4	4	5.00
12	VIUGS	GAS STRUT ONLY 3/4/4.5 KW (WITHOUT LEVER)	1	1	1				472.40
12	VIUGSA	GAS STRUT ONLY 6 KW (WITHOUT LEVER)				1		1	616.60
13	VIU410051B	CONTROL PANEL LABEL AI	1	1	1	1	1	1	27.00
14	VIU009NC	NUT CAP M12	8	8	8	8	8	8	4.30
15	VIU410099B	TOP SUPPORT ARM	1	1	1	1	1	1	253.30
16	VIU410098	TOP TIE BAR (ALL MODELS)	1	1	1	1	1	1	206.30
17	VIU410078	RATCHET HANDLE	1	1	1	1	1	1	46.10
18	VIUM12WSET	WASHERS FOR CASSETTE SUPPORT LOCKING HANDLE	1	1	1	1	1	1	4.20
19	VIU410017	SWIVEL BLOCK	1	1	1	1	1	1	143.00
20	VIU410018	HEAD	1	1	1	1	1	1	286.40
21	VIU410020	QUAD BLOCK SOCKET SINGLE PHASE MODELS	1	1	1	1			76.20
21	VIU23-0117	QUAD BLOCK SOCKET 3 PHASE MODELS					3	3	26.80
22	VIU410061	KETTLE PLUG	3	4	3	3	3	3	28.80
23	VIU10005	CASSETTE CABLE ASSEMBLY C/W PLUG	3	4	3	3	3	3	63.20
24	VIU410076	UNIVERSAL OUTER STRAP	4	4	4	4	4	4	60.30
25	VIU410077	TRI KNOB	4	4	4	4	4	4	7.70
26	VIU411200	T KNOB	2	2	2	2	2	2	9.20
27	VIU410080	OVERHEAD CASSETTE SUPPORT ARM 3KW/4KW	1	1					319.80
27	VIU450012	OVERHEAD CASSETTE SUPPORT ARM 4.5KW				1		1	491.40
27	VIU410073	OVERHEAD CASSETTE SUPPORT ARM 6KW			1		1		405.70
28	VIU410075	CENTRE STRAP 3 HEAD	2		2	2	2	2	53.25
29	VIU410003	CENTRE STRAP 4 HEAD		2					67.90
30	VIU410074B	BLUE CASSETTE BOX ONLY 3/4/6KW (EMPTY)	3	4		6		6	396.80
30	VIU450011B	BLUE CASSETTE BOX ONLY 4.5 KW (EMPTY)			3		3		481.20
31	VIU410071	BACK REFLECTOR 3/4/6 KW	3	4		6		6	64.60
31	VIU450016	BACK REFLECTOR 4.5 KW			3		3		89.40
32	VIUHLP34CSAA	CASSETTE ASSEMBLY COMPLETE (NO LAMP) 3/4 KW	3	4					1 060.30
32	VIUHLP4500CAA	CASSETTE ASSEMBLY COMPLETE (NO LAMP) 4.5 KW			3		3		1 146.20
33	VIU410081	CASSETTE ON/OFF SWITCH	3	4	3	6	3	6	33.00
34	VIU420070	END REFLECTOR	6	8	6	12	6	12	28.10
35	VIU410069	CASSETTE GUARD 3/4/6 KW	3	4		6		6	31.60
35	VIU450013	CASSETTE GUARD 4.5 KW			3		3		47.00
	VIU900300	1KW TUBE 300 MM 220/240 VOLT							236.50
36	VIU900500	1KW TUBE 500 MM 220/240 VOLT	3	4		6		6	293.80
36	VIU900750	1.5KW TUBE 750 MM 220/240 VOLT			3		3		351.10
	VIU101	HAND HELD STAND WITH SLIDER BRACKET							487.40
	VIU103	TIMER ONLY FOR STAND MOUNTED							458.80
	VIU104	PLUG FOR STAND MOUNTED TIMER (EACH)							30.30
	VIU404	CONTROL BOARD FOR DISTANCE SENSOR MODELS							1607.20
	VIU406	DIGITAL READ OUT PANEL FOR DISTANCE SENSOR							709.00
	VIU408	DIGITAL SENSOR UNIT							830.20
	VIU410014	BOLT FOR CASTOR M10							1.20
	VIU410015	NUT FOR CASTOR M10							0.80
	VIU410016	LOCKING WASHER FOR CASTOR M10							0.80
	VIUFS500M	FUSE 500 MA							2.40
	VIU102	SLIDER BRACKET FOR HAND HELD							76.20
	VIUHAN1	HANDLE FOR HAND HELD							58.80
	VIUGRP1	GRIP FOR HAND HELD MODEL							10.90
	VIU10001	HAND HELD CABLE WITHOUT PLUG							64.60



# ADG-1B AQUADRY PAINT DRYER GUN

**Aquadry kit** it's a versatile system to speed up the drying process of water based coatings, its exclusive configuration provides an extremely uniform air flow system. The use of a single device is particularly suitable for small areas, while the system mounted on the stand is particularly suitable for larger surfaces and commercial vehicles.

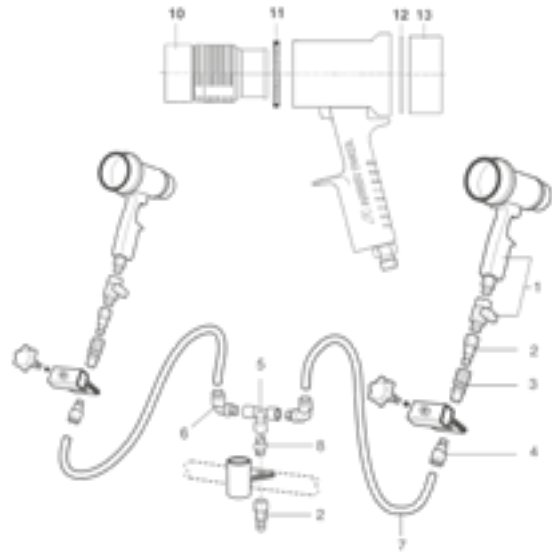


TECHNICAL DATA	
MAX. PRESSURE	7 bar
MAX. AIR CONSUMPTION	2 x 600 lt./min



## ORDER INFORMATION

CODE	DESCRIPTION	REF.	€
UIKIT60100	AQUADRY SET (STAND, HOSES + 2 DRYER GUNS)		645.80
13908402	AQUADRY PAINT DRYER GUN ADG-1B	1	163.10
W2COM6096	QUICK JOINT MALE BRASS G-1/4"M	2	6.60
W2950291400	QUICK JOINT FEMALE BRASS G-1/4"F	3	13.40
UL300312	QUICK JOINT 1/4" M - ø10	4	7.80
UL300300	"T" JOINT 1/4" FFF	5	8.80
UL300309	"L" QUICK COUPLING 1/4" M - ø10	6	8.00
00100032	AIR HOSE 10X8	7	4.30
UL30010501	SPECIAL NIPPLE R. 1/4"- G1/4"	8	4.40
VIEAQ005	STAND ONLY	9	249.20
93453450	NOZZLE	10	100.30
93454450	NUT	11	27.30
93451460	SCREEN FILTER	12	13.60
93455461	COVER	13	26.80



# AI JET FLAT AIR NOZZLE DRYER

The AI JET Flat Air Nozzles series are ideal to be used for the processes of drying and curing of water-based paints. The flow of compressed air, passes through the nozzle and it is distributed through 16 holes (ø 1.5 mm), this system allows the drying process in shorter times on surfaces of small and medium size. AI JET is supplied with ball valve and quick coupling joint M.

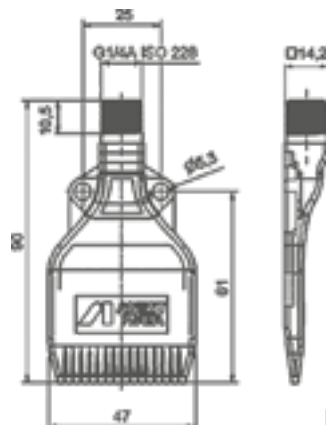


TECHNICAL DATA	
NOISE LEVEL	70 db (A) at 2 bar
AIR CONSUMPTION	18 m3/h at 2 bar
MAX. PRESSURE	6 bar
MAX. TEMPERATURE	50°C



## ORDER INFORMATION

CODE	DESCRIPTION	€
W2COM6214	AI JET AIR NOZZLE DRYER SET	55.60
W2COM6235	AIR NOZZLE	52.50
150016A0	QUICK COUPLING JOINT SET M1/4" F (5 pcs./1 pk.)	31.40



DIMENSIONS

# DEMO TROLLEY



ANEST IWATA Demo trolley is a practical and lightweight trolley to tow, perfect for protecting your valuable tools. Externally is made of sturdy and shockproof plastic material, durable but lightweight with a professional design. The inside is a foam lined safe housing which can snugly fit five spray guns. In addition, there are spaces cut out of foam designed to preserve the enclosures that can contain both the fluid nozzle and needle sets and the air cap sets, such as: 15 rotating telescopic enclosures to protect fluid needles and fluid nozzles and 7 enclosures with lid to protect the air caps.

TECHNICAL DATA	
DIMENSIONS	604 (W) x 473 (D) x 283 (H) mm
EMPTY WEIGHT	9 Kg
IP 67 CLASSIFICATION	100% recyclable material

DEMO  
TROLLEY



## ORDER INFORMATION

CODE	DESCRIPTION	€
VPATR-IW01	DEMO TROLLEY CASES KIT	612.00
VROTRPACK	CASES KIT SINGLE (22 parts)	75.00

Spray guns are not included in Demo trolley.

# MARKER CAPS

Marker caps for individual labeling of spray guns

## ORDER INFORMATION

CODE	DESCRIPTION	€
93710530	MARKER CAPS (5 pcs./1 pk.) (yellow, green, red, black, blue)	7,50



# AZ PVA TN UNDERCOAT SPRAY GUN

## FEATURES

- Undercoat gun to be used with pre-packed paintpot or cartridge
- With suction feed

## ORDER INFORMATION

CODE	DESCRIPTION	€
W0012200000	UNDERCOAT SPRAY GUN	81.60





# SALES CONDITIONS

# THIS PRICE LIST IS VALID FROM 01/01/2026

All mentioned prices are ex-works in Cardano al Campo. Transportation or delivery charges are not included in the shown price. Terms and Conditions apply. All prices are recommended retail prices: VAT is not included. For invoices below 50 € (NET), no discount is applied.

For complaints please contact us:  
e-mail: [info@anest-iwata-st.com](mailto:info@anest-iwata-st.com)  
telephone: +39 0331 73 31 20

Goods exchange and returns must be notified to Anest Iwata in advance (before shipment). These, will be accepted only and exclusively if Anest Iwata has given the approval.

The returned goods must be unused, in perfect conditions, undamaged and with the original packaging. Used goods are generally not accepted.

Anest Iwata is not responsible for errors or omissions contained in its price lists or promotional material. All prices/items/designs are subjected to changes without previous notice.

## PRICING

## COMPLAINTS

## GOODS EXCHANGE RETURNS



## PROFESSIONAL COATING EQUIPMENT SPECIALIST

### EUROPE

ANEST IWATA Strategic Center S.r.l.  
Cardano al Campo (VA) - ITALY  
info@anest-iwata-st.com  
www.anest-iwata-coating.com

ANEST IWATA Deutschland GmbH  
Leipzig - GERMANY  
info@anest-iwata-de.com  
www.anest-iwata-coating.com

ANEST IWATA France S.A.  
Saint Quentin Fallavier, Lyon - FRANCE  
info@anest-iwata-fr.com  
www.anest-iwata-coating.com

ANEST IWATA U.K. Ltd.  
St. Neots Cambridgeshire - ENGLAND  
info@anest-iwata-uk.com  
www.anest-iwata-coating.com

ANEST IWATA Iberica S.L.U.  
Saint Adrià del Besos Barcelona - SPAIN  
info@anest-iwata-ib.com  
www.anest-iwata-coating.com

ANEST IWATA Scandinavia AB.  
Partille, Göteborg - SWEDEN  
info@anest-iwata-se.com  
www.anest-iwata-coating.com

ANEST IWATA Polska Sp. Z o.o.  
Jasin / Swarzędz - POLAND  
info@anest-iwata-pl.com  
www.anest-iwata-coating.com

### NORTH AMERICA

ANEST IWATA Americas, INC.  
West Chester - Ohio - U.S.A.  
inquiry@anestiwata.com  
www.anestiwata.com

### MÉXICO

ANEST IWATA México, S.De R.L.De C.V.  
Guanajuato - MÉXICO  
info@anestiwatamexico.com  
www.anestiwatamexico.com

### BRAZIL

AIRZAP-ANEST IWATA INDÚSTRIA COMÉRCIO Ltda.  
Sao Paulo - BRAZIL  
contato@anest-iwata.net.br  
www.anest-iwata.net.br

### RUSSIA

ANEST IWATA Russia LLC  
Moscow - RUSSIA  
tam@anestiwata.ru  
www.anestiwata.ru

### AUSTRALIA

ANEST IWATA Australia Pty Ltd.  
Sidney - AUSTRALIA  
info@anest-iwata.com.au  
www.anest-iwata.com.au

### SOUTH AFRICA

ANEST IWATA South Africa Pty Ltd.  
Johannesburg - REPUBLIC OF SOUTH AFRICA  
www.anest-iwata.co.za

### ASIA

ANEST IWATA KOREA Corporation  
Ansan City - KOREA  
inquiry@aikr.co.kr - www.aikr.co.kr

ANEST IWATA Motherson Coating Equipment Ltd.  
Noida - INDIA  
sales@aim.motherson.com  
www.motherson.com  
anest-iwata-motherson.html

ANEST IWATA Shanghai Corporation  
Shanghai - CHINA  
customer@anest-iwata-sh.com  
www.anest-iwata-sh.com

ANEST IWATA Vietnam CO. Ltd.  
Ho Chi Minh City - VIETNAM  
info@anest-iwata.vn  
www.anest-iwatasoutheastasia.com

PT. ANEST IWATA Indonesia  
Jakarta - INDONESIA  
www.anest-iwatasoutheastasia.com

ANEST IWATA Southeast Asia CO. Ltd.  
Bangkok - THAILAND  
info@anest-iwata.co.th  
www.anest-iwatasoutheastasia.com

### HEADQUARTER

ANEST IWATA Corporation  
Yokohama - JAPAN  
www.anest-iwata.co.jp

ANEST IWATA Strategic Center S.r.l.  
Cardano al Campo (VA) - ITALY  
info@anest-iwata-st.com  
www.anest-iwata-coating.com